



KM-650M_H

SLIM-LINE MODULAR CRESCENT CUBER



KM-650M_H
03/30/17
Item # 13191

Item #: _____
 Project: _____
 Qty: _____
 AIA#: _____

W x D x H
22" x 27^{3/8}" x 37^{7/16}"



KM-650MAH ★

Air-Cooled

Shown on optional bin B-300

KM-650MWH

Water-Cooled

KM-650MRH

Remote Air-Cooled



Features

▶ Individual crescent cube

▶ Stainless steel evaporator

▶ CycleSaver™ design

• Up to 669 lbs. of ice production per 24 hours

• Durable stainless steel exterior

• Protected by H-GUARD Plus Antimicrobial Agent

• EverCheck™ alert system

• Mount two units side-by-side for 1,338 lbs. per 24 hours (in only 44" of floor space)

• Removable air filters (Air-cooled model only)

• R-404A Refrigerant

Available on Bins:

B-300PF/SF B-700PF/SF B-900PF/SF B-1300SS B-1650SS
B-500PF/SF B-800PF/SF B-1150SS B-1500SS

Top kit may be required. See Bin Spec Sheets.

Warranty:

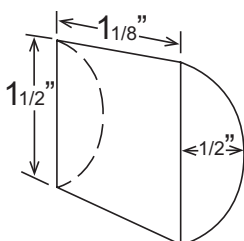
3 Year Parts & Labor on entire machine. 5 Year Parts & Labor on Evaporator. 5 Year Parts on Compressor; air-cooled condenser coil.

Valid in United States, Canada, Puerto Rico and U.S. Territories. Contact factory for warranty in other countries.



| Condenser | Model | ICE PRODUCTION | | Per Cycle | | WATER USAGE | | ELECTRICAL | | | | Heat Rejection BTU/hr. | Shipping Weight | ENERGY STAR® |
|-------------------|-----------|------------------------------------|---------------------|-----------|-------|-------------------------------------|---------------------------------------|---------------------------------|--|----------|---------------|------------------------|-----------------|--------------|
| | | Air / Water Temp Lbs. per 24 hours | 70°/ 50°F 90°/ 70°F | Lbs. | Cubes | Potable Gal. per 100 lbs. 90°/ 70°F | Condenser Gal. per 100 lbs. 90°/ 70°F | kWh Used per 100 lbs. 90°/ 70°F | Max. Fuse Size or HACR Circuit Breaker | Amperage | Voltage | | | |
| Air-Cooled | KM-650MAH | 661 | 562 | 14.6 | 720 | 18.0 | N/A | 5.5 | 15A | 7.2A | 208-230V/60/1 | 11,100 | 200 lbs. | ★ |
| Water-Cooled | KM-650MWH | 669 | 654 | 14.3 | 720 | 22.4 | 153 | 4.2 | 15A | 5.4A | 208-230V/60/1 | 9,600 | 200 lbs. | |
| Remote Air-Cooled | KM-650MRH | 632 | 564 | 14.4 | 720 | 16.5 | N/A | 5.6 | 15A | 7.4A | 208-230V/60/1 | 9,600 | 200 lbs. | |

KM Cube Dimensions*



* approximate size in inches, image not to scale

Operating Limits

- Ambient Temp Range 45 - 100°F
- Water Temp Range 45 - 90°F
- Water Pressure 10 - 113 PSIG
- Voltage Range 187-253V

Service

- Panels easily removed and all components accessible for service.
- Allow 6" (15 cm) clearance at rear, sides, and top for proper air circulation and ease of maintenance/service.

Plumbing

- Icemaker Water Supply Line: Minimum 1/4" Nominal ID Copper Water Tubing or Equivalent
- Icemaker Drain Line: Minimum 3/4" Nominal ID Hard Pipe or Equivalent
- Water-Cooled Model (Lines Must Be Independent of Icemaker)
- Condenser Water Supply Line: Minimum 1/4" Nominal ID Copper Water Tubing or Equivalent
- Condenser Drain/Return Line: Minimum 1/4" Nominal ID Hard Pipe (open drain system) or Copper Water Tubing (closed loop system) or Equivalent



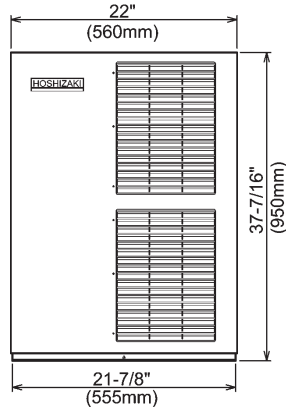
KM-650M_H

SLIM-LINE MODULAR CRESCENT CUBER

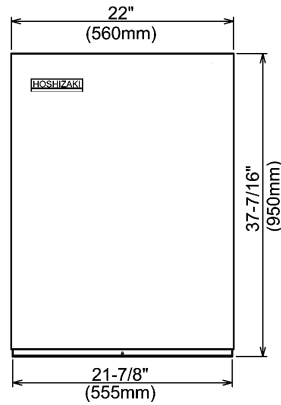


KM-650M_H
03/30/17
Item # 13191

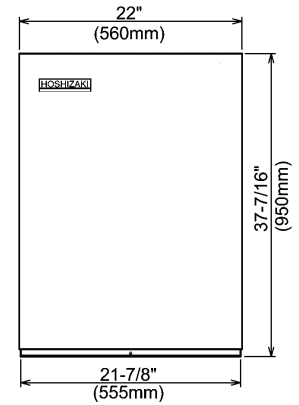
FRONT VIEW



AIR-COOLED



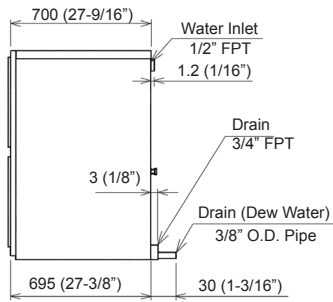
WATER-COOLED



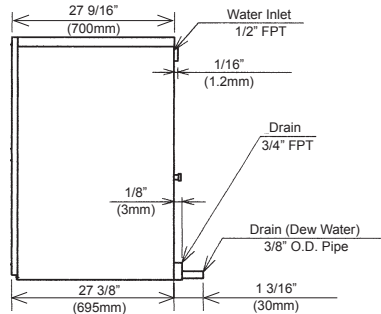
REMOTE AIR-COOLED

SIDE VIEW

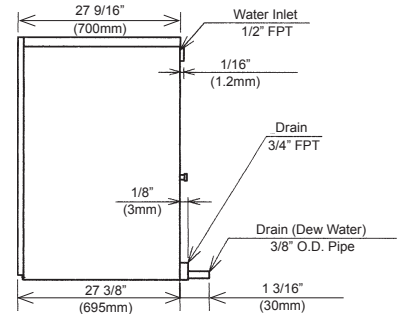
Front →



AIR-COOLED

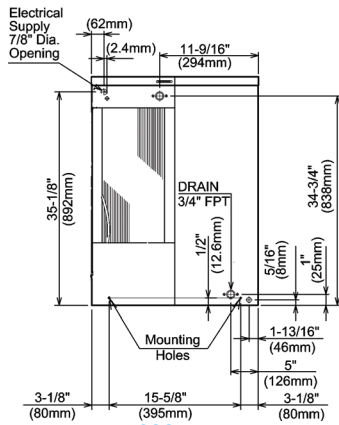


WATER-COOLED

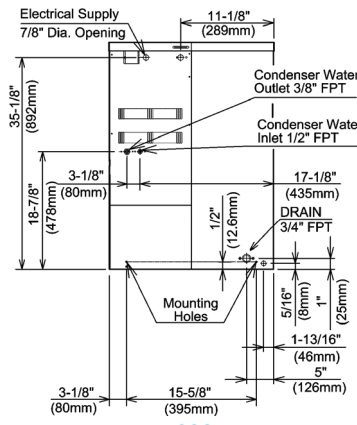


REMOTE AIR-COOLED

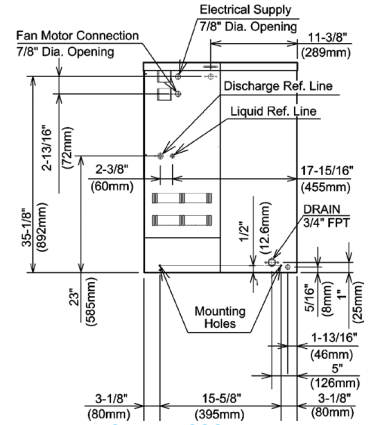
REAR VIEW



AIR-COOLED

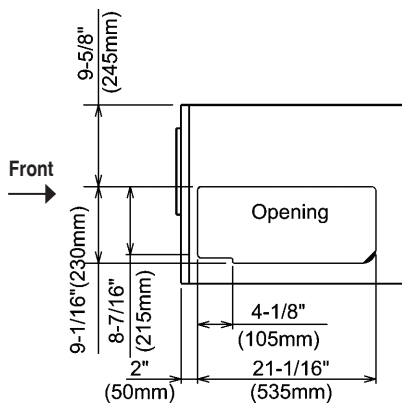


WATER-COOLED



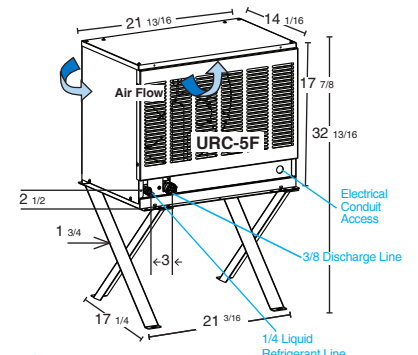
REMOTE AIR-COOLED

BOTTOM VIEW



**AIR-COOLED
WATER-COOLED
REMOTE AIR-COOLED**

URC-5F Remote Condenser (Sold Separately)
(W x D x H) 21^{13/16} x 14^{1/16} x 32^{13/16}
For Use with KM-650MRH



Pre-Charged Tubing Kits (Sold Separately)
20' R404-2046-2
35' R404-3546-2



Voltage supply for the URC Remote Condenser is supplied from the Ice Maker. No additional circuit is required.