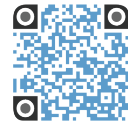




KM-901M_H50

MODULAR CRESCENT CUBER



KM-901M_H50
03/30/17
Item # 13268

Item #: _____
Project: _____
Qty: _____
AIA#: _____


W x D x H
30" x 27^{3/8}" x 37^{7/16}"



KM-901MAH50
Air-Cooled
Shown on optional bin B-900

KM-901MRH50
Remote Air-Cooled 1 Phase



Features

- ▶ Individual crescent cube
- ▶ Stainless steel evaporator
- ▶ CycleSaver™ design 

- Up to 402 kg. of ice production per 24 hours
- Durable stainless steel exterior
- Protected by H-GUARD Plus  Antimicrobial Agent
- EverCheck™ alert system 
- Removable air filters (Air-cooled model only)
- R-404A Refrigerant

Available on Bins:

B-250PF B-700PF/SF B-900PF/SF B-1300SS B-1650SS*
B-500PF/SF B-800PF/SF B-1150SS B-1500SS*

Top kit may be required. See Bin Spec Sheets. *Two unit application only.

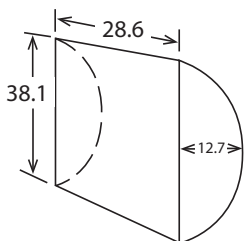
Warranty:

Call factory for warranty information.



Condenser	Model	ICE PRODUCTION				WATER USAGE			ELECTRICAL			Heat Rejection BTU/hr.	Shipping Weight	ENERGY STAR
		Air / Water Temp 21°/ 10°C 32°/ 21°C	kg	Per Cycle Cubes	kg	Potable Liters per 45 kg 32°/ 21°C	Condenser Liters per 45 kg 32°/ 21°C	kWh Used per 45 kg 32°/ 21°C	Max. Fuse Size or HACR Circuit Breaker	Amperage	Voltage			
Air-Cooled	KM-901MAH50	398	320	6.2	720	60	N/A	5.1	20A	9.0A	208-230/60/1	15,600	116 kg	
Remote Air-Cooled	KM-901MRH50	402	345	6.2	720	60	N/A	5.0	20A	9.2A	208-230/60/1	14,000	113 kg	

KM Cube Dimensions*



* approximate size in millimeters, image not to scale

Operating Limits

- Ambient Temp Range 7 - 38°C
- Water Temp Range 7 - 32°C
- Water Pressure 0.7 - 8 kg/cm²
- Voltage Range 198 - 254V

Service

- Panels easily removed and all components accessible for service.
- Allow 15 cm clearance at rear, sides, and top for proper air circulation and ease of maintenance/service.
- Exterior fasteners are tamper proof torx pin screws.
- Removable/cleanable air filters under front panel (Air-cooled model only)

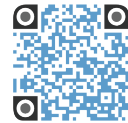
Plumbing

- Icemaker Water Supply Line: Minimum 6 mm Nominal ID Copper Water Tubing or Equivalent
- Icemaker Drain Line: Minimum 18 mm Nominal ID Hard Pipe or Equivalent
- Water-Cooled Model (Lines Must Be Independent of Icemaker)
- Condenser Water Supply Line: Minimum 6 mm Nominal ID Copper Water Tubing or Equivalent
- Condenser Drain/Return Line: Minimum 6 mm Nominal ID Hard Pipe (open drain system) or Copper Water Tubing (closed loop system) or Equivalent



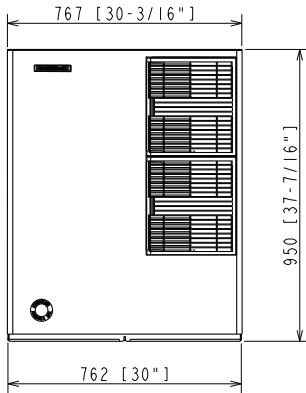
KM-901M_H50

MODULAR CRESCENT CUBER

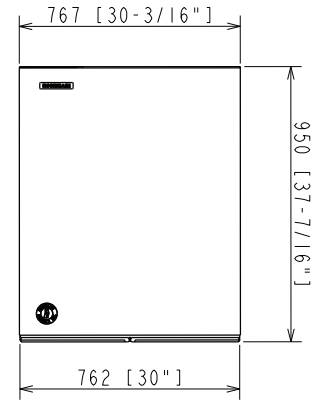


KM-901M_H50
03/30/17
Item # 13268

FRONT VIEW

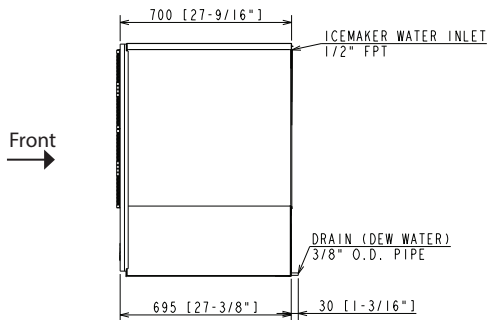


AIR-COOLED

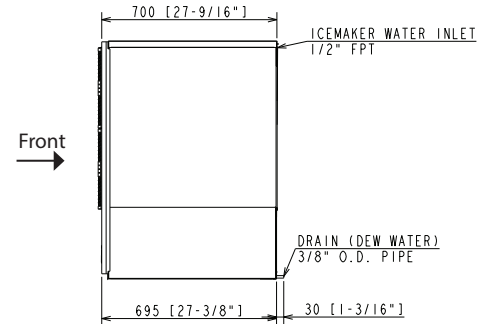


REMOTE AIR-COOLED

SIDE VIEW

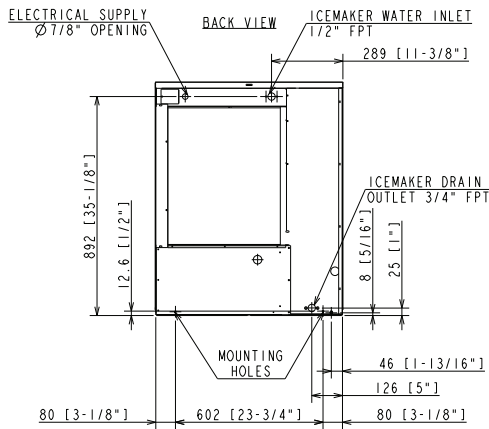


AIR-COOLED

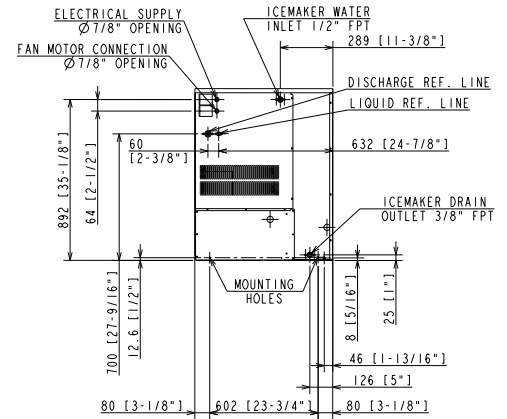


REMOTE AIR-COOLED

REAR VIEW

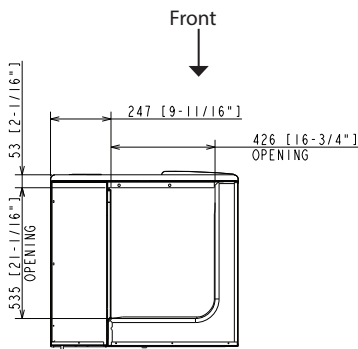


AIR-COOLED

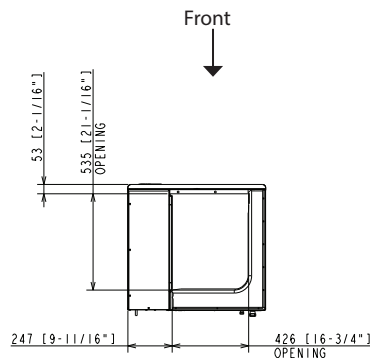


REMOTE AIR-COOLED

BOTTOM VIEW

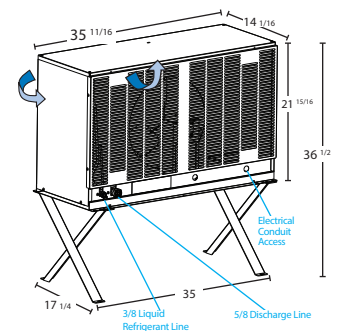


AIR-COOLED



REMOTE AIR-COOLED

URC-9F Remote Condenser (Sold Separately)
(W x D x H) 35^{11/16} x 14^{1/16} x 36^{1/2}
For Use with KM-901MRH50



Pre-Charged Tubing Kits
(Sold Separately)

- 20' R404-2068-2
- 35' R404-3568-2
- 55' R404-5568-2

Voltage supply for the URC Remote Condenser is supplied from the Ice Maker. No additional circuit is required.

