



# KMH-2000S\_H(3)

## HIGH CAPACITY STACKABLE ICE CUBER



KMH-2000S\_H(3)  
03/31/2017  
Item # 13264

Item #: \_\_\_\_\_  
Project: \_\_\_\_\_  
Qty: \_\_\_\_\_  
AIA#: \_\_\_\_\_

**W x D x H**  
36" x 40" x 36<sup>7/16</sup>"

**KMH-2000SWH**  
Water-Cooled 1 Phase

**KMH-2000SRH** ★  
Remote Air-Cooled 1 Phase

**KMH-2000SWH3**  
Water-Cooled 3 Phase

**KMH-2000SRH3** ★  
Remote Air-Cooled 3 Phase

Shown on a Kloppenberg 2115  
Double Upright Bin



Please allow for adequate lead time when placing orders



## Features

▶ Individual crescent cube

▶ Stainless steel evaporator

▶ CycleSaver™ design

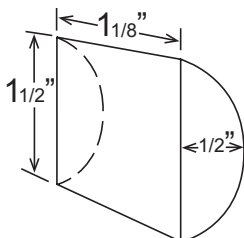
- 40" depth ice machine frame
- Up to 1944 lbs. of ice production per 24 hours
- Stackable for 7776 lbs. per 24 hours ice production in the same floor space
- Durable stainless steel exterior
- CycleSaver™ design
- Protected by H-GUARD Plus® Antimicrobial Agent
- EverCheck™ alert system
- R-404A Refrigerant

### Warranty:

3 Year Parts & Labor on entire machine. 5 Year Parts & Labor on Evaporator. 5 Year Parts on Compressor; air-cooled condenser coil. Valid in United States, Canada, Puerto Rico and U.S. Territories. Contact factory for warranty in other countries.

Condenser	Model	ICE PRODUCTION		WATER USAGE		ELECTRICAL			Heat Rejection BTU/hr.	Shipping Weight	ENERGY STAR®				
		Air / Water Temp Lbs. per 24 hours 70°/ 50°F	90°/ 70°F	Per Cycle Lbs. Cubes	Potable Gal. per 100 lbs. 90°/ 70°F	Condenser Gal. per 100 lbs. 90°/ 70°F	kWh Used per 100 lbs. 90°/ 70°F	Max. Fuse Size or HACR Circuit Breaker				Amperage	Voltage		
1 Phase	Water-Cooled	KMH-2000SWH	1821	1760	45.4	2160	17.5	84	3.3	30A	12.1A	208-230/60/1	28,000	415 lbs.	
	Remote Air-Cooled	KMH-2000SRH	1944	1694	47.7	2160	18.1	N/A	3.8	30A	14.9A	208-230/60/1	27,600	415 lbs.	★
3 Phase	Water-Cooled	KMH-2000SWH3	1843	1840	46.5	2160	17.4	102	3.19	20A	7.7A	208-230/60/3	25,000	415 lbs.	
	Remote Air-Cooled	KMH-2000SRH3	1929	1675	46.9	2160	16.8	N/A	3.7	20A	9.9A	208-230/60/3	26,500	415 lbs.	★

### KM Cube Dimensions\*



\* approximate size in inches, image not to scale

### Operating Limits

- Ambient Temp Range 45 - 100°F
- Water Temp Range 45 - 90°F
- Water Pressure 10 - 113 PSIG
- Voltage Range 187 - 253V

### Service

- Panels easily removed and all components accessible for service.
- Allow 6" (15 cm) clearance at rear, sides, and top for proper air circulation and ease of maintenance/service.

### Plumbing

- Icemaker Water Supply Line: Minimum 3/8" Nominal ID Copper Water Tubing or Equivalent
- Icemaker Drain Line: Minimum 3/4" Nominal ID Hard Pipe or Equivalent
- Water-Cooled Model (Lines Must Be Independent of Icemaker)
  - Condenser Water Supply Line: Minimum 3/8" Nominal ID Copper Water Tubing or Equivalent
  - Condenser Drain/Return Line: Minimum 3/8" Nominal ID Hard Pipe (open drain system) or Copper Water Tubing (closed loop system) or Equivalent



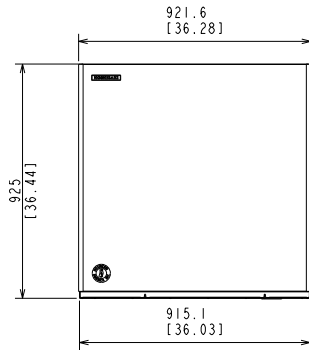
# KMH-2000S\_H(3)

## HIGH CAPACITY STACKABLE ICE CUBER

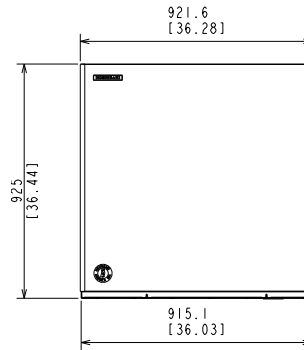


KMH-2000S\_H(3)  
03/31/2017  
Item # 13264

FRONT VIEW

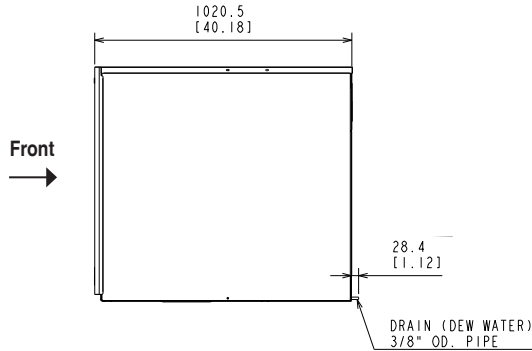


WATER-COOLED

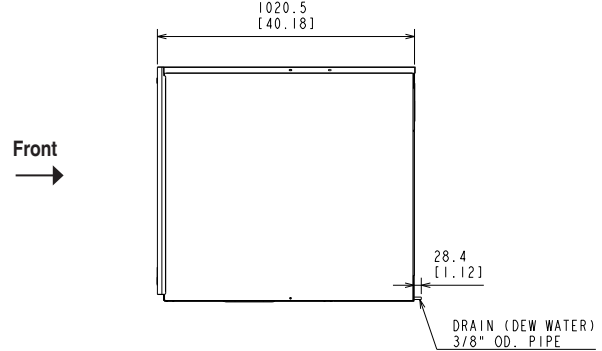


REMOTE AIR-COOLED

SIDE VIEW

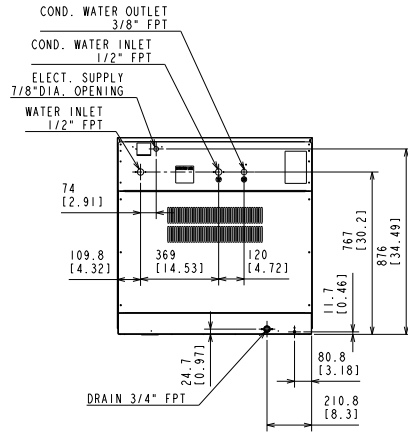


WATER-COOLED

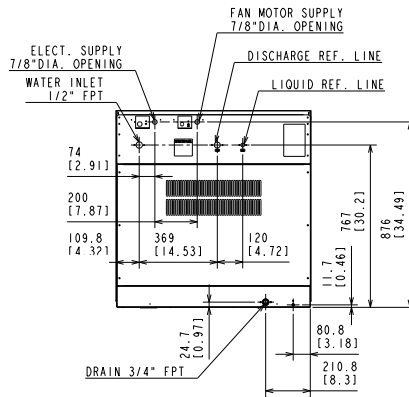


REMOTE AIR-COOLED

REAR VIEW

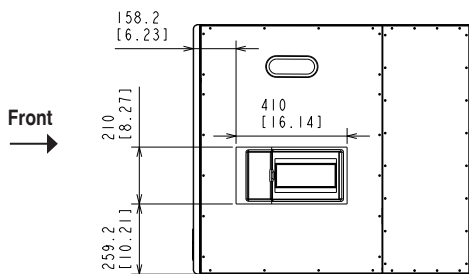


WATER-COOLED



REMOTE AIR-COOLED

BOTTOM VIEW



WATER-COOLED  
REMOTE AIR-COOLED

URC-22F Remote Condenser (Sold Separately)  
(W x D x H) 46 3/8 x 14 1/16 x 40 1/2  
For Use with KMH-2000SRH(3)



Pre-Charged Tubing Kits  
(Sold Separately)  
20' R404-20610  
35' R404-35610  
55' R404-55610

Voltage supply for the URC  
Remote Condenser is supplied  
from the Ice Maker.  
No additional circuit is required.

