



KML-325/500M_J

LOW-PROFILE MODULAR CRESCENT CUBER



KML-325/500M_J
05/08/17
Item # 13413

Item #: _____
 Project: _____
 Qty: _____
 AIA#: _____

W x D x H
30" x 27^{3/8}" x 22"

KM Edge SERIES

KML-325MAJ
Air-Cooled

Shown on optional bin B-500

KML-325MWJ
Water-Cooled

KML-500MAJ ★
Air-Cooled

KML-500MWJ
Water-Cooled



Features

- ▶ Individual crescent cube
- ▶ Stainless steel evaporator
- ▶ CycleSaver™ design

- KML-325: Up to 385 lbs. of ice production per 24 hrs.
- KML-500: Up to 543 lbs. of ice production per 24 hrs.
- Durable stainless steel exterior
- Protected by H-GUARD Plus Antimicrobial Agent
- EverCheck™ alert system
- Removable air filters (Air-cooled model only)
- R-404A Refrigerant

Available on Bins:

B-250PF B-800PF/SF B-1150SS B-1650SS*
B-500PF/SF B-900PF/SF B-1300SS DB-200H
B-700PF/SF B-1150SS B-1500SS* DM-200B

Top kit may be required. See Bin Spec Sheets. *Two unit application only.

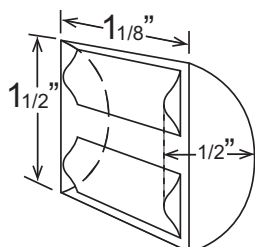
Warranty:

3 Year Parts & Labor on entire machine. 5 Year Parts & Labor on Evaporator. 5 Year Parts on Compressor; air-cooled condenser coil. Valid in United States, Canada, Puerto Rico and U.S. Territories. Contact factory for warranty in other countries.



Condenser	Model	ICE PRODUCTION		Per Cycle		WATER USAGE		ELECTRICAL			Heat Rejection BTU/hr.	Shipping Weight	ENERGY STAR®
		Air / Water Temp Lbs. per 24 hours 70°/ 50°F 90°/ 70°F	Per Cycle Lbs. Cubes	Potable Gal. per 100 lbs. 90°/ 70°F	Condenser Gal. per 100 lbs. 90°/ 70°F	kWh Used per 100 lbs. 90°/ 70°F	Max. Fuse Size or HACR Circuit Breaker	Amperage	Voltage				
Air-Cooled	KML-325MAJ	380 300	8.1 360	19.9	N/A	5.72	15A	8.4A	115V/60/1	5,800	185 lbs.		
Water-Cooled	KML-325MWJ	385 355	7.9 360	17.0	106	4.51	15A	8.4A	115V/60/1	5,500	185 lbs.		
Air-Cooled	KML-500MAJ	442 400	7.9 360	16.0	N/A	5.55	20A	7.6A	115V/60/1	6,200	185 lbs.	★	
Water-Cooled	KML-500MWJ	543 515	7.9 360	16.0	110	4.33	20A	9.6A	115V/60/1	8,000	185 lbs.		

KM Edge Cube Dimensions*



* approximate size in inches, image not to scale

Operating Limits

- Ambient Temp Range 45 - 100°F
- Water Temp Range 45 - 90°F
- Water Pressure 10 - 113 PSIG
- Voltage Range 104 - 127V

Service

- Allow 6" (15 cm) clearance at rear, sides, and top for proper air circulation and ease of maintenance/service.
- Removable air filters (air-cooled model only).

Plumbing

- Icemaker Water Supply Line: Minimum 1/4" Nominal ID Copper Water Tubing or Equivalent
 - Icemaker Drain Line: Minimum 3/4" Nominal ID Hard Pipe or Equivalent
- Water-Cooled Model (Lines Must Be Independent of Icemaker)**
- Condenser Water Supply Line: Minimum 1/4" Nominal ID Copper Water Tubing or Equivalent
 - Condenser Drain/Return Line: Minimum 1/4" Nominal ID Hard Pipe (open drain system) or Copper Water Tubing (closed loop system) or Equivalent



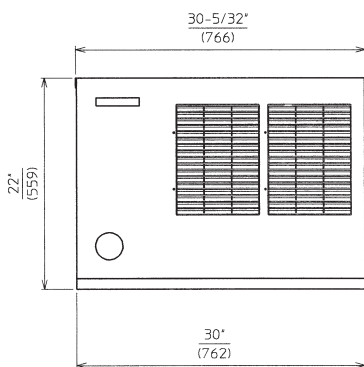
KML-325/500M_J

LOW-PROFILE MODULAR CRESCENT CUBER

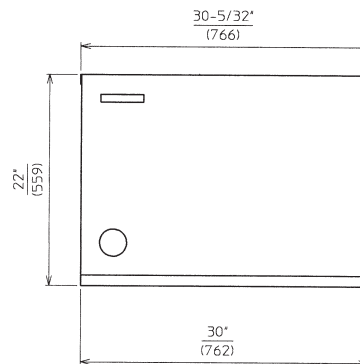


KML-325/500M_J
05/08/17
Item # 13413

FRONT VIEW

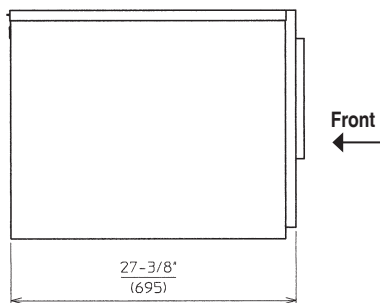


AIR-COOLED

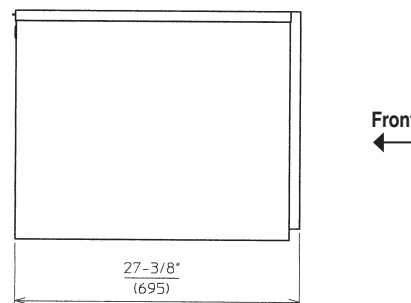


WATER-COOLED

SIDE VIEW

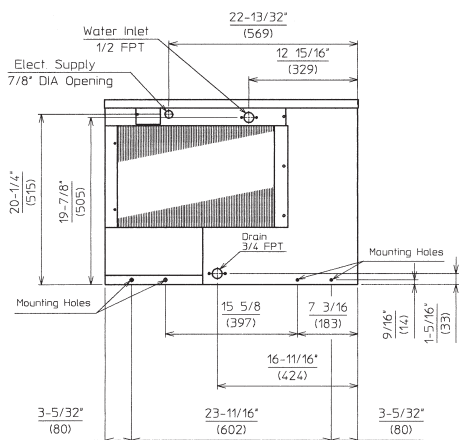


AIR-COOLED

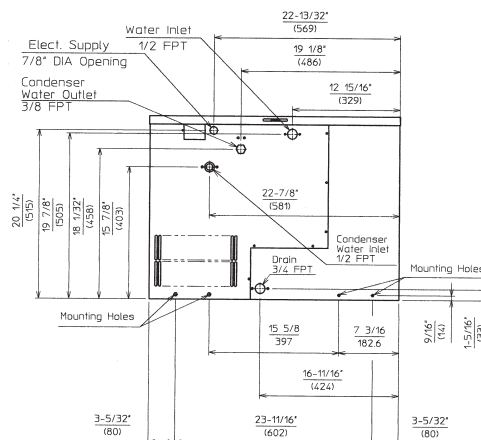


WATER-COOLED

REAR VIEW

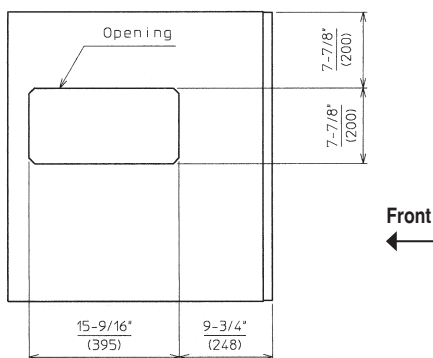


AIR-COOLED

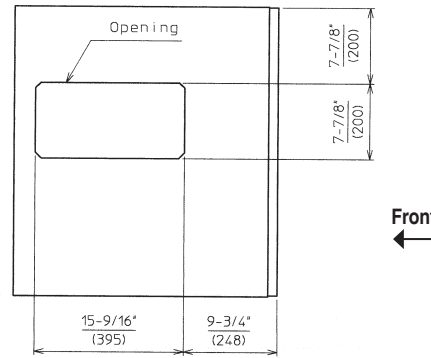


WATER-COOLED

BOTTOM VIEW



AIR-COOLED



WATER-COOLED