



KMS-2000MLH

SERENITY SERIES CUBER ICE MACHINE



KMS-2000MLH
03/31/17
Item # 13283

Item #: _____
Project: _____
Qty: _____
AIA#: _____

Features

- ▶ Individual crescent cube
- ▶ Stainless steel evaporator
- ▶ CycleSaver™ design

- Up to 1910 lbs. of ice production per 24 hours
- Ice on beverage design
- Durable stainless steel exterior
- Protected by H-GUARD Plus Antimicrobial Agent
- EverCheck™ alert system
- Less heat in the kitchen
- Minimized noise
- CFC / HFC Free Foam
- R-404A Refrigerant

Warranty:

3 Year Parts & Labor on entire machine. 5 Year Parts & Labor on Evaporator. 5 Year Parts on Compressor; air-cooled condenser coil. Valid in United States, Canada, Puerto Rico and U.S. Territories. Contact factory for warranty in other countries.

W x D x H
30" x 24" x 32^{7/8}"

Installation Dimension*
SRK-20H / SRK-20H3
62" x 21" x 45"

*Dimensions include legs

Actual Dimension
SRK-20H / SRK-20H3
59^{11/16}" x 17" x 30"

KMS-2000MLH
Remote Air-Cooled
Shown on optional
Lancer 30" Dispenser



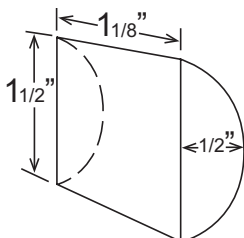
Condenser	Model	ICE PRODUCTION		WATER USAGE		ELECTRICAL			Heat Rejection BTU/hr.	Shipping Weight	ENERGY STAR®			
		Air / Water Temp Lbs. per 24 hours 70°/ 50°F 90°/ 70°F	Per Cycle Lbs. Cubes	Potable Gal. per 100 lbs. 90°/ 70°F	Condenser Gal. per 100 lbs. 90°/ 70°F	kWh Used per 100 lbs. 90°/ 70°F	Max. Fuse Size or HACR Circuit Breaker	Amperage				Voltage		
Remote Air-Cooled	KMS-2000MLH with SRK-20H	1861	1786	27.9	1560	22.0	N/A	4.70	30A	21.3A	115V/60/1 *	37,300	206 lbs.	
Remote Air-Cooled	KMS-2000MLH with SRK-20H3	1910	1706	27.4	1560	23.3	N/A	4.65	20A	11.0A	115V/60/1 *	36,000	206 lbs.	

Condenser	Model	LINE SETS - Pre-Charged			TEMP RANGE	ELECTRICAL			Heat Rejection BTU/hr.	Shipping Weight	ENERGY STAR®	
		25' Length	35' Length	55' Length	Ambient (Outdoor Use)	Voltage Range	Max. Fuse Size or HACR Circuit Breaker	Amperage				Voltage
Remote	SRK-20H	HS-0243**	HS-0244**	HS-0245**	-20 - 122°	187-253VAC	30A	21.3A	208-230V/60/1	37,300	325 lbs.	
Remote	SRK-20H3	HS-0243**	HS-0244**	HS-0245**	-20 - 122°	187-253VAC	20A	11.0A	208-230V/60/3	36,000	325 lbs.	

* Voltage supply for KMS Ice Maker is supplied from the SRK Remote Condenser

** line sets require refrigerant

KM Cube Dimensions*



* approximate size in inches, image not to scale

Operating Limits- KMS-2000MLH

- Ambient Temp Range 45 - 100°F
- Water Temp Range 45 - 90°F
- Water Pressure 10 - 113 PSIG
- Voltage Range 187-253V*

* Voltage supply for KMS Ice Maker is supplied from the SRK Remote Condenser

Service- KMS-2000MLH

- Allow 6" (15 cm) clearance at rear and sides for proper air circulation for ease of maintenance and/or service should they be required.
- Panels easily removed and all components accessible for service.

Plumbing- KMS-2000MLH

- Icemaker Water Supply Line: Minimum 3/8" Nominal ID Copper Water Tubing or Equivalent
- Icemaker Drain Line: Minimum 3/4" Nominal ID Hard Pipe or Equivalent

Service- SRK-20H(3)

- Allow 24" (61 cm) clearance in both front and rear for proper air circulation and ease of maintenance/service.
- For best performance the Remote Condenser should not be more than 33 feet above the icemaker or no more than 10 feet below it. These distances are measure from fitting to fitting.

Hoshizaki reserves the right to change specifications without notice.



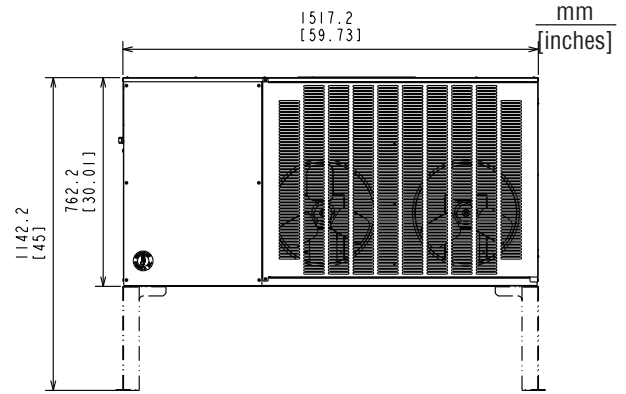
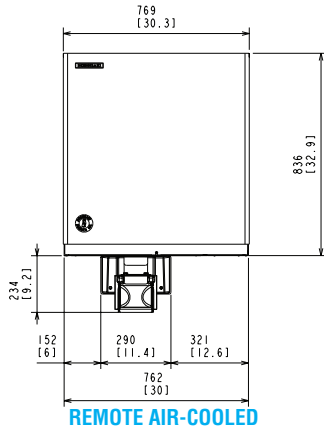
KMS-2000MLH

SERENITY SERIES CUBER ICE MACHINE

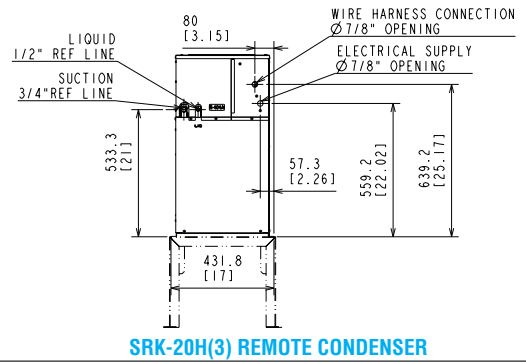
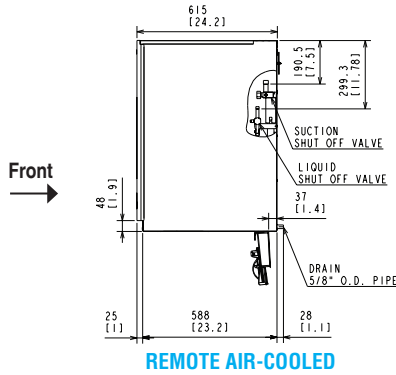


KMS-2000MLH
03/31/17
Item # 13283

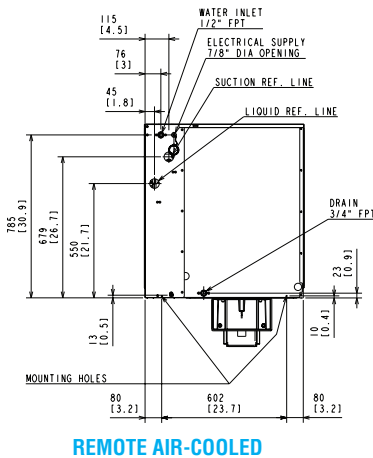
FRONT VIEW



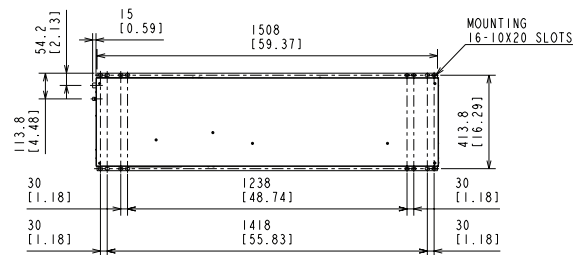
SIDE VIEW



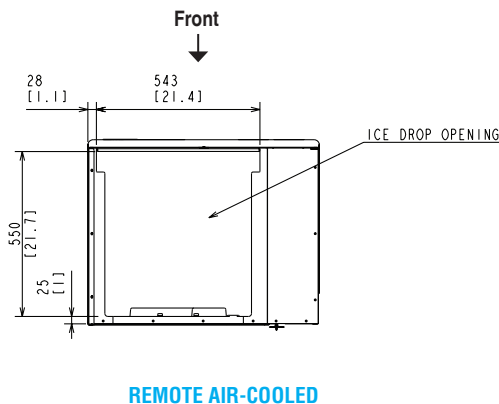
REAR VIEW



TOP VIEW



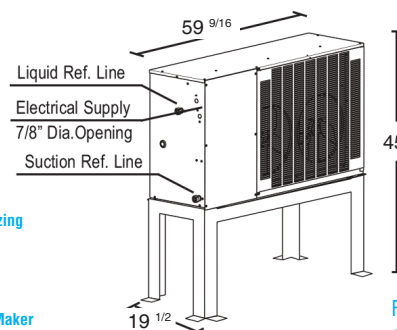
BOTTOM VIEW



Tubing Kits - Requires Field Brazing (Sold Separately)
25' HS-0243
35' HS-0244
55' HS-0245

Voltage supply for the KMS Ice Maker is supplied from the SRK Remote Condenser.

SRK-20H(3) Remote Condenser (Sold Separately)
(W x D x H) 59^{9/16} x 19^{1/2} x 45
For Use with KMS-2000MLH(3)



For best performance allow 24 inch clearance for air circulation.