

PTR2SSB-G-G

TEMPGUARD® GLASS DOOR PASS THRU REFRIGERATORS

Item # _____

Project: _____

Qty: _____

*AutoCad available on KCL

TEMPGUARD® Self-Contained, Glass Door Pass Thru Refrigerators
with EverCheck® Audio Alert

PTR2SSB-G-G

8/08

Item # 13229

PTR2SSB-G G DIMENSIONS

W x D x H

55 x 35.9 x 84.5*

*with 6" adj. legs



PTR2SSB-FGFG

Cabinet Construction

- Stainless steel interior and exterior for long life, durability and easy maintenance
- Ducted air distribution system achieves a uniform box temperature eliminating "hot spots" even when full
- (3) heavy duty epoxy shelves per section are standard; adjustable in 1" increments
- Cabinet door perimeter heater provides condensation control and is equipped with a back-up heater; Manual on/off switch allows for energy savings
- Cabinet walls are insulated with 2 3/8" of R-134A, CFC free foamed in place polyurethane
- Interior fluorescent lights are standard with manual on/off switch
- Die cast legs and stainless steel feet offer increased durability

Door Construction

- Door frames are constructed of high grade 300 Series stainless steel inside and out and are insulated with R-134A, CFC free foamed in place polyurethane. Door glass is triple pane, argon filled with Low-E non-reflective coating
- Snap-in magnetic door gaskets are durable and easily removed
- Door hinges are all metal with tension spring closure and will not wear out like traditional cam-lift hinges; Doors stay open at 105° and are self-closing at 75°; Door hinge spring tension is adjustable
- All glass doors are standard with locks

Refrigeration System

- High efficiency refrigeration system is designed with a large capacity condenser and evaporator resulting in lower overall power consumption
- TempGuard's® EverCheck® controls monitor high and low temperatures, high pressure, high and low voltage, clean filter and cabinet temperature functions. The controls are located on operators side of the unit
- Refrigeration system is mounted on a fully insulated rotocast platform and is easily removable from the main unit
- Evaporator coil is coated for extended life
- Refrigeration system is equipped with solid state digital controls
- Removable, cleanable air filter protects condenser and reduces cleaning requirements
- Hot gas condensate evaporator is standard
- 115 volt units equipped with cord and plug
- Refrigerant: R-404A with expansion valve control



PTR2SSB-HGHG

Shown



Warranty

Valid in United States, Canada, Puerto Rico, & U.S. Territories. Contact factory for warranty in other countries.

Two Year - Parts & Labor on entire machine.

Five Year - Parts on: Compressor.



Hoshizaki

GLASS DOOR PASS THRU REFRIGERATOR

DIMENSIONS
W x D x H
PTR2SSB- G G
55 x 35.9 x 84.5*
* with 6" adj. legs

PASS THRU REFRIGERATOR

- 2 section pass thru refrigerator with half height glass doors
- 2 section pass thru refrigerator with full height glass doors

DIMENSIONS/CAPACITY

Model #	Two Section PTR2SSB-FGFG	Two Section PTR2SSB-HGHG
Interior Storage Capacity (CF)	51.3 ft ³	51.3 ft ³
Overall Width	55"	55"
Overall Depth	35.9"	35.9"
Height (including 6" adj. legs)	84.5"	84.5"
Depth with Door open at 90°	85.9"	85.9"
Door Opening Width	21.75"	21.75"
Door Opening Height	59.25"	26.75"
Adjustable Shelves	6	6
Shelf Dimensions (W x D)	21.2" x 30.75"	21.2" x 30.75"
Crated Shipping Weight	700 lb	700 lb
Crated Height	85"	85"
Crated Width	59"	59"
Crated Depth	39"	39"

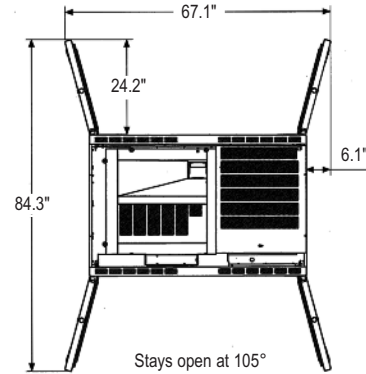
ELECTRICAL & REFRIGERATION DATA

Model #	Two Section PTR2SSB-FGFG	Two Section PTR2SSB-HGHG
Voltage	115/60/1	115/60/1
Amperage	12.0	12.0
HACR Breaker	15.0	15.0
Electrical Connection(NEMA)	5 - 15P	5 - 15P
*Energy Consumption(kwh/day)	16.6	16.6
* Heat Rejection(BTU/Hr.)	2360	2360
Approximate Nominal Compressor BTU/Hr.(HP)	6226 (3/4HP)	6226 (3/4HP)
Voltage Range	104 - 126	104 - 126
Ambient Temp. Range	45° - 100°F	45° - 100°F
Control Setpoint Range	36° to 50°F	36° to 50°F
*Refrigerant	R-404A	R-404A

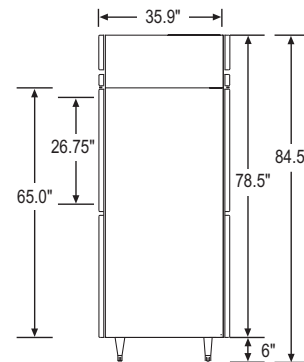
* Based on 100°F ambient cycling at setpoint (NSF)

OPTIONS

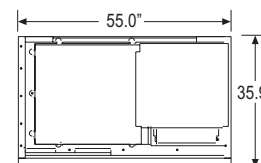
- 4" Heavy duty casters
- Additional epoxy shelves
- Foot pedal
- Padlock hasp
- Universal tray/pan slides
- Stainless steel shelves
- Reverse door hinging



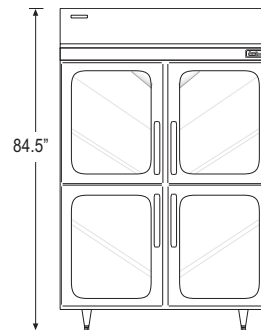
DOOR SWING



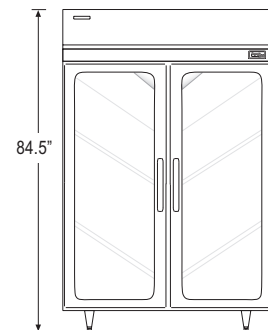
SIDE VIEW



PLAN VIEW



PTR2SSB-HGHG



PTR2SSB-FGFG