

# KMS-1400MLH

## SERENITY SERIES

### CUBER ICE MACHINE

Item # \_\_\_\_\_

Project: \_\_\_\_\_

Qty: \_\_\_\_\_

**KMS-1400MLH**  
2/08  
Item # 13215

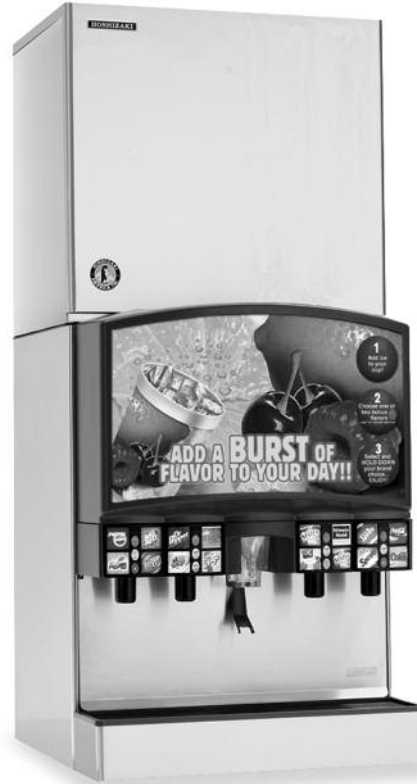
**CUBER DIMENSIONS**  
W x D x H

**KMS-1400MLH**  
30 x 24 x 28




**CONDENSING UNIT DIMENSIONS**  
W x D x H

**Installation Dimension\***  
**SRK-14H**  
52<sup>3/8</sup> x 19<sup>1/2</sup> x 43  
\*Dimensions include legs

**Actual Dimension**  
**SRK-14H**  
50 x 17 x 28



**KMS-1400MLH**  
Remote Air-Cooled  
Shown on an optional  
Lancer 30" Dispenser

- Approximately 1284 lbs. of ice production per 24 hours
- Less heat in the kitchen
- Minimized noise
- Durable stainless steel exterior
- Individual crescent cube ice
- Protected by *HoshiGuard* Antimicrobial Agent 
- CycleSaver® Design 
- EverCheck® alert system 
- Stainless steel evaporator
- Removable water tank - cleaning access to dispenser
- R-404A Refrigerant
- Complies with California Energy Commission guidelines (CEC)



**Warranty**

Valid in United States, Canada, Puerto Rico, & U.S. Territories. Contact factory for warranty in other countries.

**Three Year** - Parts & Labor on entire machine.

**Five Year** - Parts & Labor on: Evaporator.

**Five Year** - Parts on: Compressor, air-cooled condenser coil.



# KMS-I400MLH CUBER ICE MACHINE SERENITY SERIES

**DIMENSIONS**  
W x D x H  
**KMS-I400MLH**  
30 x 24 x 28

**Installation Dimension\***  
**SRK-14H**  
52<sup>3/8</sup> x 19<sup>1/2</sup> x 43  
\*Dimensions include legs  
**Actual Dimension**  
**SRK-14H**  
50 x 17 x 28

## REMOTE AIR - COOLED

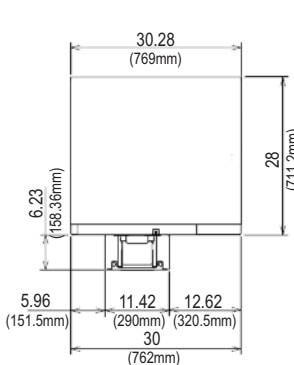
Water Temp° F.	50°	70°	90°
Air Temp° F.			
70°	1284	1242	1164
80°	1252	1188	1097
90°	1242	1142	1054

## UTILITY CONSUMPTION

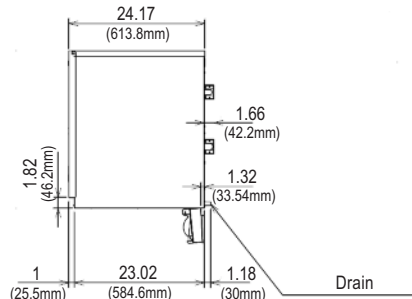
Model Number	Ice Production Per Cycle Lbs. Cubes	KWH per 100 LBS. 90/70	Potable Water Gal. per 100 lbs.	Condenser Water Gal. per 100 lbs.
KMS-1400MLH with SRK-14H	24 1248	5.3	23.6	N/A

## SPECIFICATIONS

Model Number	Condenser	Amperage	Min. Circuit Ampacity	Shipping Weight
KMS-1400MLH	Remote Air-Cooled	15	20	177 lbs.
SRK-14H	Air-Cooled			273 lbs.

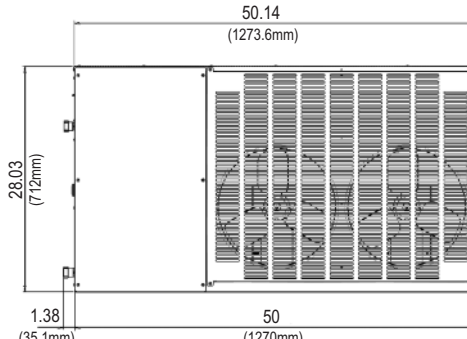


FRONT VIEW

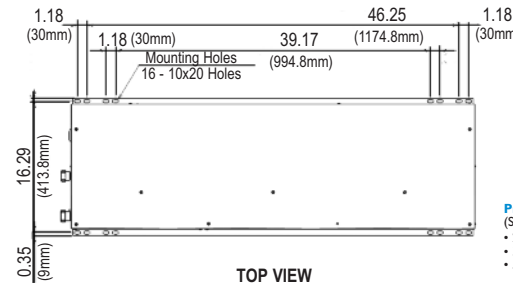


SIDE VIEW

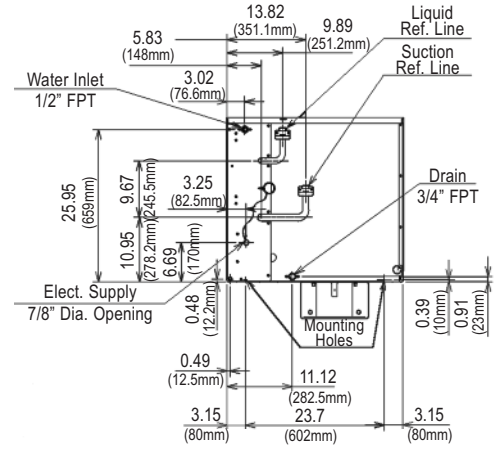
**SRK-14H Remote Condensing Unit** (Sold Separately)  
For Use with KMS-1400MLH



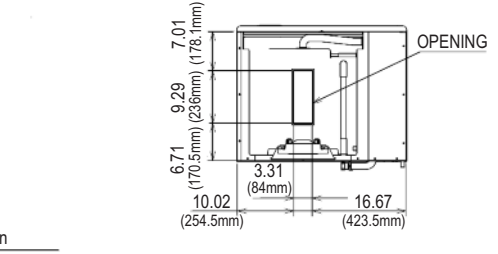
FRONT VIEW



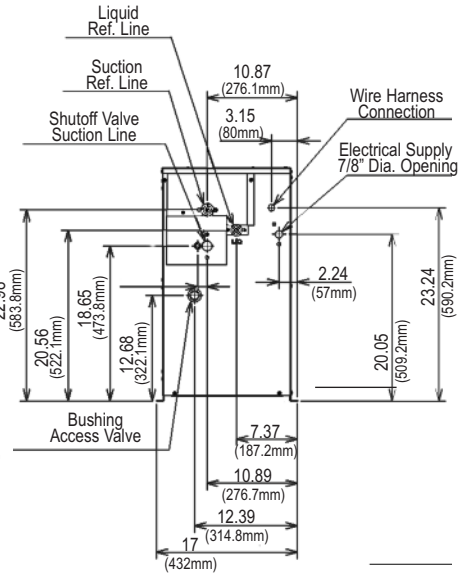
TOP VIEW



BACK VIEW



BOTTOM VIEW



SIDE VIEW

**Pre-Charged Tubing Kits**  
(Sold Separately)

- 20' R404-20810
- 35' R404-35810
- 55' R404-55810



Voltage supply for the KMS Ice Maker is supplied from the SRK Remote Condenser.

## ELECTRICAL & PLUMBING/KMS-I400MLH

- 115V/60/1 - Voltage supply for the KMS Ice Maker is supplied from the SRK Remote Condenser
- 1/2" FPT copper or equivalent independent potable water supply
- 3/4" FPT independent drain connection

## CONDENSER UNIT/SRK-14H

- 208-230/60/1 (3 wire with neutral for 115V)
- 20 amp Max Fuse/HACR Breaker Size

## OPERATING LIMITS

- Ambient Temp Range 45 - 100°F
- Water Temp Range 45 - 90°F
- Water Pressure 10 - 113psig
- Voltage Range 104 - 127V

## CONDENSING UNIT

- Voltage Range 187 - 253V
- Ambient Temp Range -20 - 122°F

## SERVICE

- Panels easily removed and all components accessible for service.



© HOSHIZAKI AMERICA, INC.

618 Hwy. 74 S., Peachtree City, GA 30269

TEL 1-800-438-6087

FAX 1-800-345-1325

www.hoshizaki.com

Printed in U.S.A.

