



Stand Mixer

**INSTRUCTIONS**

---

Batidora con base

**INSTRUCTIONS**

---

Batidora con base

**INSTRUCCIONES**



FOR THE WAY IT'S MADE.®

## Welcome to the world of KitchenAid®

We're committed to helping you create a lifetime of delicious meals for family and friends. To help ensure the longevity and performance of your appliance, keep this guide handy.

It will empower you with the best way to use and care for your product. Your satisfaction is our #1 goal. Remember to register your product online at [www.kitchenaid.com](http://www.kitchenaid.com), or by mail using the attached Product Registration Card.



**USA: 1.800.541.6390**  
**Canada: 1.800.807.6777**

**KitchenAid.com**  
**KitchenAid.ca**

# Table of Contents

<b>STAND MIXER SAFETY</b>	
Important Safeguards .....	4
Electrical Requirements .....	5
<b>PARTS AND FEATURES</b> .....	6
<b>SETTING UP YOUR STAND MIXER</b> .....	7
<b>USING YOUR STAND MIXER</b>	
Speed Control Guide - 10 Speed Stand Mixers .....	9
<b>ATTACHMENTS AND ACCESSORIES</b> .....	10
<b>CARE AND CLEANING</b> .....	10
<b>TIPS FOR GREAT RESULTS</b>	
Mixing Time .....	11
Mixer Use .....	11
Whipping Tips for Egg Whites .....	12
Whipping Tips for Whipped Cream .....	12
Bread Making Tips .....	13
<b>WARRANTY</b> .....	14

## Your safety and the safety of others are very important.

We have provided many important safety messages in this manual and on your appliance. Always read and obey all safety messages.



This is the safety alert symbol.

This symbol alerts you to potential hazards that can kill or hurt you and others.

All safety messages will follow the safety alert symbol and either the word "DANGER" or "WARNING." These words mean:

 **DANGER**

**You can be killed or seriously injured if you don't immediately follow instructions.**

 **WARNING**

**You can be killed or seriously injured if you don't follow instructions.**

All safety messages will tell you what the potential hazard is, tell you how to reduce the chance of injury, and tell you what can happen if the instructions are not followed.

## IMPORTANT SAFEGUARDS

**When using electrical appliances, basic safety precautions should always be followed, including the following:**

1. Read all instructions.
2. To avoid risk of electrical shock, do not put Stand Mixer in water or other liquid.
3. Close supervision is necessary when any appliance is used by or near children.
4. Unplug Stand Mixer from outlet when not in use, before putting on or taking off parts, and before cleaning.
5. Avoid contacting moving parts. Keep hands, hair, and clothing, as well as spatulas and other utensils away from beater during operation to reduce the risk of injury to persons and/or damage to the Stand Mixer.
6. Do not operate Stand Mixer with a damaged cord or plug or after the Stand Mixer malfunctions, or is dropped or damaged in any manner. Call the KitchenAid® Customer Satisfaction Center at 1-800-541-6390 for more information.
7. The use of attachments not recommended or sold by KitchenAid may cause fire, electrical shock, or injury.
8. Do not use the Stand Mixer outdoors.
9. Do not let the cord hang over edge of table or counter.
10. Remove Flat Beater, Stainless Steel Whip, or Spiral Dough Hook from Stand Mixer before washing.

## SAVE THESE INSTRUCTIONS

**THIS PRODUCT IS DESIGNED FOR HOUSEHOLD  
USE ONLY.**

## Electrical Requirements

### **⚠ WARNING**



#### **Electrical Shock Hazard**

**Plug into a grounded 3 prong outlet.**

**Do not remove ground prong.**

**Do not use an adapter.**

**Do not use an extension cord.**

**Failure to follow these instructions can result in death, fire, or electrical shock.**

Volts: 120 A.C.

Hertz: 60 Hz

**NOTE:** The power rating for your Stand Mixer is printed on the serial plate.

Do not use an extension cord. If the power supply cord is too short, have a qualified electrician or serviceman install an outlet near the appliance.

The maximum rating is based on the attachment that draws the greatest load (power). Other recommended attachments may draw significantly less power.

## Proof of Purchase & Product Registration

Always keep a copy of the itemized sales receipt showing the date of purchase of your Stand Mixer. Proof of purchase will assure you of in-warranty service. Before you use your Stand Mixer, please fill out and mail your product registration card packed with the unit. This card will enable us to contact you in the unlikely event of a product safety notification and assist us in complying with the provisions of the Consumer Product Safety Act. This card does not verify your warranty. Please complete the following for your personal records:

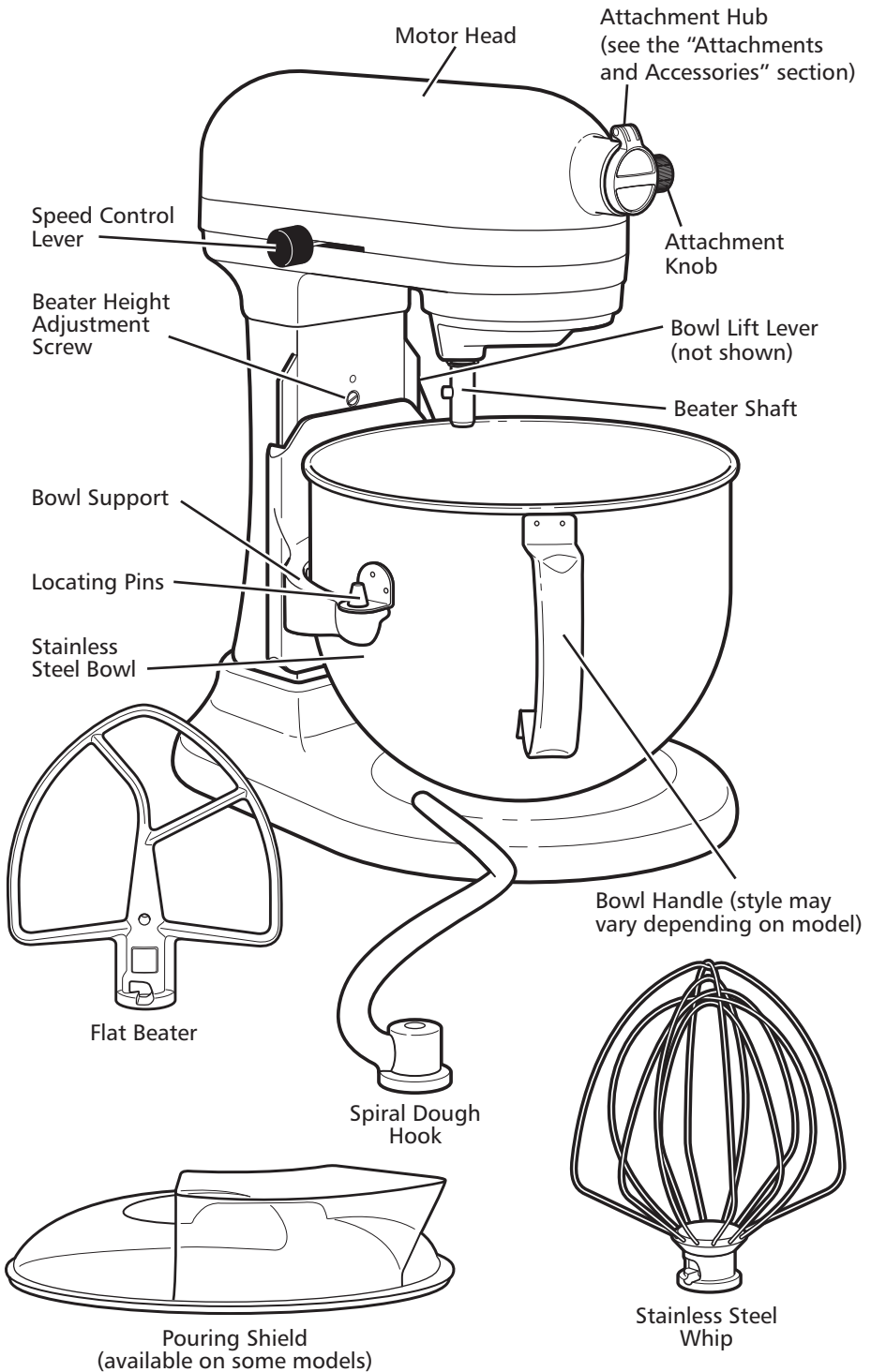
**Model Number** \_\_\_\_\_

**Serial Number** \_\_\_\_\_

**Date Purchased** \_\_\_\_\_

**Store Name** \_\_\_\_\_

# Parts and Features



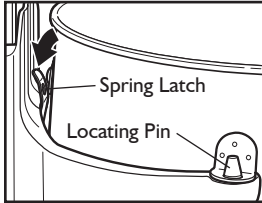
# Setting up your Stand Mixer

## Getting Started with your new Bowl-Lift Stand Mixer IMPORTANT SET-UP INFORMATION:

For best performance, please go through these quick steps before using your Stand Mixer

**Step 1:** Make sure Stand Mixer is turned to the OFF position and is unplugged.

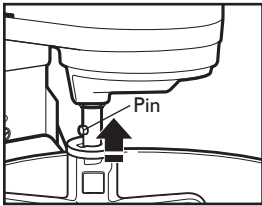
Fig. 1



**Step 2: Attach the Stainless Steel Bowl to the Stand Mixer.** Fit Bowl Supports over Locating Pins and press down on back of the bowl until Bowl Pin snaps into Spring Latch. (Fig. 1).

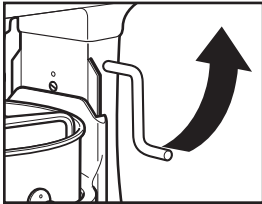
**IMPORTANT:** If bowl is not securely snapped into place, it will be unstable and wobble during use.

Fig. 2



**Step 3: Attach Flat Beater.** Slip Flat Beater onto the Shaft. Turn left, hooking beater over the Pin. (Fig. 2)

Fig. 3



**Step 4: Raise Bowl to mixing position.** Rotate Bowl Lift Lever counterclockwise to the straight up position. (Fig. 3) The bowl must always be in the raised position when mixing.

## ⚠ WARNING



### Electrical Shock Hazard

**Plug into a grounded 3 prong outlet.**

**Do not remove ground prong.**

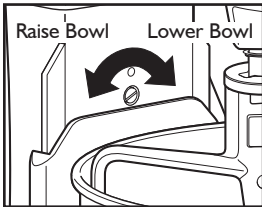
**Do not use an adapter.**

**Do not use an extension cord.**

**Failure to follow these instructions can result in death, fire, or electrical shock.**

**Step 5: Test Beater to Bowl Clearance.** Check the proximity of the Flat Beater to the bowl. The beater should just clear the bottom of the bowl but should not touch it. Plug Stand Mixer in. Turn Stand Mixer ON and test each speed making sure the beater does not touch the bowl during operation. If the beater is too far away from the bottom, or is hitting the bowl, proceed to step 6 to make the necessary adjustments.

Fig. 4



**Step 6: Adjusting your Beater to Bowl Clearance.** Unplug Stand Mixer. Lower the bowl to the down position. Adjust the Beater Height Adjustment Screw to lower or raise the bowl, (Fig 4). Repeat Steps 2-5 with the Stainless Steel Whip and Spiral Dough Hook.

**IMPORTANT:** The Stand Mixer may become warm during use. Under heavy loads with extended mixing time periods, you may not be able to comfortably touch the top of the Stand Mixer. This is normal. The Stand Mixer motor may emit a pungent odor during initial operation. This is common with electric motors.

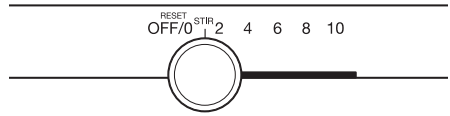
**Congratulations! Your Stand Mixer is now set up and ready for use.**








# Using your Stand Mixer

## Speed Control Guide - 10 Speed Stand Mixers

All speeds have the Soft Start® feature that automatically starts the Stand Mixer at a lower speed to help avoid ingredient splash-out and “flour puff” at start-up, then quickly increases to the selected speed for optimal performance.



Speed	Used for	Attachment	Description
Stir	Stirring		For slow stirring, combining, mashing, starting all mixing procedures. Use to add flour and dry ingredients to batter, and add liquids to dry ingredients. Do not use STIR speed to mix or knead yeast doughs.
2	Slow Mixing, Kneading		For slow mixing, mashing, faster stirring. Use to mix and knead yeast doughs, heavy batters, and candies; start mashing potatoes or other vegetables; cut shortening into flour; mix thin or splashy batters.
4	Mixing, Beating		For mixing semi-heavy batters, such as cookies. Use to combine sugar and shortening and to add sugar to egg whites for meringues. Medium speed for cake mixes. Use with: Food Grinder, Rotor Slicer/Shredder, Pasta Roller, and Fruit/Vegetable Strainer.
6	Beating, Creaming		For medium-fast beating (creaming) or whipping. Use to finish mixing cake, doughnut, and other batters. High speed for cake mixes.
8-10	Fast Beating, Fast Whipping, Whipping		For whipping cream, egg whites, and boiled frostings. For whipping small amounts of cream, egg whites or for final whipping of mashed potatoes.

**NOTE:** Use Speed 2 to mix or knead yeast doughs. Use of any other speed creates high potential for Stand Mixer failure. The PowerKnead™ Spiral Dough Hook efficiently kneads most yeast dough within 4 minutes.

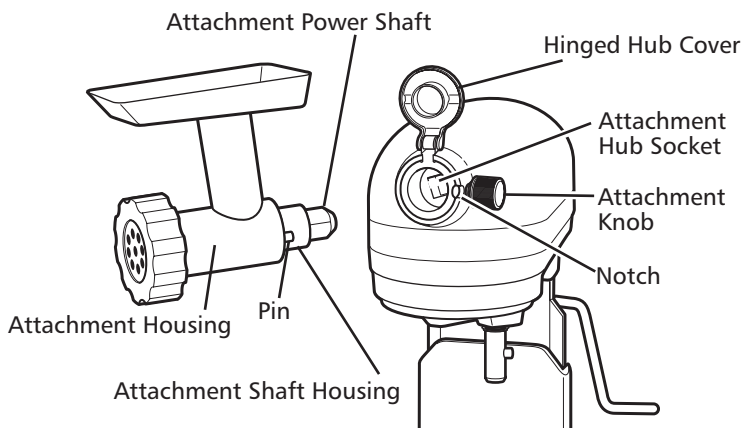
## Capacity Chart

	6-6.5 Quart (5.67-6.15 L)	5-5.5 Quart (4.73-5.20 L)
Flour	13-14 cups	10-12 cups
Bread	8 1/4 loaves	6 loaves
Cookies	13 dozen	9 dozen
Mashed Potatoes	8 lbs	6 1/2 lbs

# Attachments and Accessories

## General Information

KitchenAid® Attachments are designed to assure long life. The Attachment Power Shaft and Hub Socket are of a square design, to eliminate any possibility of slipping during the transmission of power to the attachment. The hub and shaft housings are tapered to assure a snug fit, even after prolonged use and wear. KitchenAid® Attachments require no extra power unit to operate them; the power unit is built-in.



## Care and Cleaning

The Stainless Steel Bowl, Coated Metal Flat Beater, Stainless Steel Wire Whip, and Coated Metal Spiral Dough Hook may be washed in an automatic dishwasher. Or, clean them thoroughly in hot sudsy water and rinse completely before drying. Do not store beaters on shaft.

**NOTE:** Always be sure to unplug Stand Mixer before cleaning. Wipe Stand Mixer with a soft, damp cloth. Do not use household/commercial cleaners. Do not immerse in water. Wipe off Beater Shaft frequently, removing any residue that may accumulate.

Accessories	Burnished Metal	Coated Metal	Stainless Steel
	Burnished metal beater and dough hook should be hand washed. May discolor if used in dishwasher.	White or silver coated metal beaters are dishwasher-safe. (Available on most models)	Not applicable
	Not applicable	Not applicable	All wire whips are stainless steel and should be hand washed only.
	Not applicable	Not applicable	All metal bowls are stainless steel and dishwasher-safe. (Available on all bowl-lift models)

## Mixing Time

Your KitchenAid® Stand Mixer will mix faster and more thoroughly than most other electric stand mixers. Therefore, the mixing time in most recipes must be adjusted to avoid over beating. With cakes, for example, beating time may be half as long as with other stand mixers.

To help determine the ideal mixing time, observe the batter or dough and mix only until it has the desired appearance described in your recipe, such as “smooth and creamy.” To select the best mixing speeds, use the “Speed Control Guide” section.

## Mixer Use

### **WARNING**

#### **Injury Hazard**

**Unplug mixer before touching beaters.**

**Failure to do so can result in broken bones, cuts, or bruises.**

**NOTE:** Do not scrape bowl while Stand Mixer is operating.

## Adding Ingredients

Always add ingredients as close to side of bowl as possible, not directly into moving beater. The Pouring Shield can be used to simplify adding ingredients.

## Adding Nuts, Raisins, or Candied Fruits

Follow individual recipes for guidelines on including these ingredients. In general, solid materials should be folded in the last few seconds of mixing on STIR Speed. The batter should be thick enough to keep the fruit or nuts from sinking to the bottom of the pan during baking. Sticky fruits should be dusted with flour for better distribution in the batter.

## Liquid Mixtures

Mixtures containing large amounts of liquid ingredients should be mixed at lower speeds to avoid splashing. Increase speed only after mixture has thickened.

**NOTE:** If ingredients in very bottom of bowl are not thoroughly mixed, then the beater is not far enough into the bowl. See the “Setting Up Your Stand Mixer” section.

# Tips for Great Results

## Whipping Tips for Egg Whites

Place room temperature egg whites in clean, dry bowl. Attach Stainless Steel Bowl and Stainless Steel Whip. To avoid splashing, gradually turn to designated speed and whip to desired stage. See chart below.

AMOUNT	SPEED
1 egg white .....	GRADUALLY to 10
2-4 egg whites.....	GRADUALLY to 8
6 or more egg whites .....	GRADUALLY to 8

### Whipping Stages

With your KitchenAid® Stand Mixer, egg whites whip quickly. So watch to avoid over whipping. This list tells you what to expect.



#### Frothy

Large, uneven air bubbles.

#### Begins to Hold Shape

Air bubbles are fine and compact; product is white.



#### Soft Peak

Tips of peaks fall over when wire whip is removed.



#### Almost Stiff

Sharp peaks form when Stainless Steel Whip is removed, but whites are actually soft.

#### Stiff but not Dry

Sharp, stiff peaks form when wire whip is removed. Whites are uniform in color and glisten.

#### Stiff and Dry

Sharp, stiff peaks form when wire whip is removed. Whites are speckled and dull in appearance.

## Whipping Tips for Whipped Cream

Pour cold whipping cream into chilled bowl. Attach Stainless Steel Bowl and Stainless Steel Whip. To avoid splashing, gradually turn to designated speed and whip to desired stage. See chart below.

AMOUNT	SPEED
1/4 cup (50 mL).....	GRADUALLY to 10
1/2 cup (125 mL).....	GRADUALLY to 10
1 cup (250 mL).....	GRADUALLY to 8
1 pint (500 mL).....	GRADUALLY to 8

### Whipping Stages

Watch cream closely during whipping. Because your KitchenAid® Stand Mixer whips so quickly, there are just a few seconds between whipping stages. Look for these characteristics:

#### Begins to Thicken

Cream is thick and custard-like.

#### Holds its Shape

Cream forms soft peaks when Stainless Steel Whip is removed. Can be folded into other ingredients when making desserts and sauces.



#### Stiff

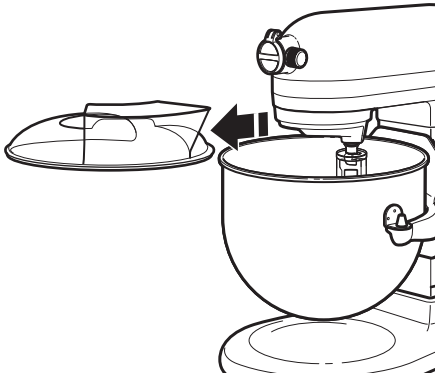
Cream stands in stiff, sharp peaks when Stainless Steel Whip is removed. Use for topping on cakes or desserts, or filling for cream puffs.

## Bread Making Tips

Making bread with a mixer is quite different from making bread by hand. Therefore, it will take some practice before you are completely comfortable with the new process. For your convenience, we offer these tips to help you become accustomed to bread-making the KitchenAid® brand way.

- Always use the PowerKnead™ Spiral Dough Hook to mix and knead yeast doughs.
- Use Speed 2 to mix or knead yeast dough. Use of any other speed with heavy doughs may cause mixer to stop rotating to limit mixer damage. This is normal operation. If this occurs, turn the speed selector to off, and then turn back on to a lower speed.

- Use a candy or other kitchen thermometer to assure that liquids are at temperature specified in the recipe. Liquids at higher temperature can kill yeast, while liquids at lower temperatures will retard yeast growth.
- Warm all ingredients to room temperature to ensure proper rising of dough. If yeast is to be dissolved in bowl, always warm bowl first by rinsing with warm water to avoid cooling of liquids.
- Allow bread to rise in a warm place, 80°F to 85°F, free from draft, unless otherwise specified in recipe.



\*For models with Pouring Shield.

## KitchenAid® Stand Mixer Warranty for the 50 United States, the District of Columbia, Puerto Rico, and Canada

This warranty extends to the purchaser and any succeeding owner for Stand Mixers operated in the 50 United States, the District of Columbia, Puerto Rico, and Canada.

<b>Length of Warranty:</b>	One Year Full Warranty from date of purchase.
<b>KitchenAid Will Pay for Your Choice of:</b>	Hassle-Free Replacement of your Stand Mixer. See the next page for details on how to arrange for service, or call the Customer Satisfaction Center toll-free at <b>1-800-541-6390</b> . OR The replacement parts and repair labor costs to correct defects in materials and workmanship. Service must be provided by an Authorized KitchenAid Service Center.
<b>KitchenAid Will Not Pay for:</b>	<ul style="list-style-type: none"><li><b>A.</b> Repairs when Stand Mixer is used in other than normal single family home use.</li><li><b>B.</b> Damage resulting from accident, alteration, misuse or abuse.</li><li><b>C.</b> Any shipping or handling costs to deliver your Stand Mixer to an Authorized Service Center.</li><li><b>D.</b> Replacement parts or repair labor costs for Stand Mixers operated outside the 50 United States, District of Columbia, Puerto Rico, and Canada.</li></ul>
<b>DISCLAIMER OF IMPLIED WARRANTIES; LIMITATION OF REMEDIES</b> IMPLIED WARRANTIES, INCLUDING TO THE EXTENT APPLICABLE WARRANTIES OF MERCHANTABILITY OR FITNESS FOR A PARTICULAR PURPOSE, ARE EXCLUDED TO THE EXTENT LEGALLY PERMISSIBLE. ANY IMPLIED WARRANTIES THAT MAY BE IMPOSED BY LAW ARE LIMITED TO ONE YEAR, OR THE SHORTEST PERIOD ALLOWED BY LAW. SOME STATES AND PROVINCES DO NOT ALLOW LIMITATIONS OR EXCLUSIONS ON HOW LONG AN IMPLIED WARRANTY OF MERCHANTABILITY OR FITNESS LASTS, SO THE ABOVE LIMITATIONS OR EXCLUSIONS MAY NOT APPLY TO YOU.  IF THIS PRODUCT FAILS TO WORK AS WARRANTED, CUSTOMER'S SOLE AND EXCLUSIVE REMEDY SHALL BE REPAIR OR REPLACEMENT ACCORDING TO THE TERMS OF THIS LIMITED WARRANTY. KITCHENAID AND KITCHENAID CANADA DO NOT ASSUME ANY RESPONSIBILITY FOR INCIDENTAL OR CONSEQUENTIAL DAMAGES. This warranty gives you specific legal rights and you may also have other rights which vary from state to state or province to province.	



## I Year Hassle-Free Replacement Warranty – 50 United States, District of Columbia, and Puerto Rico

We're so confident the quality of our products meets the exacting standards of KitchenAid that, if your Stand Mixer should fail within the first year of ownership, KitchenAid will arrange to deliver an identical or comparable replacement to your door free of charge and arrange to have your original Stand Mixer returned to us. Your replacement unit will also be covered by our one year limited warranty. Please follow these instructions to receive this quality service.

If your Stand Mixer should fail within the first year of ownership, simply call our toll-free

Customer Satisfaction Center at **1-800-541-6390** Monday through Saturday. Please have your original sales receipt available when you call. Proof of purchase will be required to initiate the claim. Give the consultant your complete shipping address. (No P.O. Box numbers, please.)

When you receive your replacement Stand Mixer, use the carton and packing materials to pack up your original Stand Mixer. In the carton, include your name and address on a sheet of paper along with a copy of the proof of purchase (register receipt, credit card slip, etc.).

## Hassle-Free Replacement Warranty – Canada

We're so confident the quality of our products meets the exacting standards of the KitchenAid® brand that, if your Stand Mixer should fail within the first year of ownership, KitchenAid Canada will replace your Stand Mixer with an identical or comparable replacement. Your replacement unit will also be covered by our one year limited warranty. Please follow these instructions to receive this quality service.

If your Stand Mixer should fail within the first year of ownership, take the Stand Mixer or ship collect to an Authorized KitchenAid Service Centre. In the carton include your

name and complete shipping address along with a copy of the proof of purchase (register receipt, credit card slip, etc.). Your replacement Stand Mixer will be returned prepaid and insured. If you are unable to obtain satisfactory service in this manner call our toll-free Customer Interaction Centre at **1-800-807-6777**.

Or write to us at:  
Customer eXperience Centre  
KitchenAid Canada  
200 - 6750 Century Ave.  
Mississauga, ON L5N 0B7

## Arranging for Service after the Warranty Expires, or Ordering Accessories and Replacement Parts

### In the United States and Puerto Rico:

For service information, or to order accessories or replacement parts, call toll-free at **1-800-541-6390** or write to:  
Customer Satisfaction Center,  
KitchenAid Portable Appliances,  
P.O. Box 218, St. Joseph, MI 49085-0218

### Outside the United States and Puerto Rico:

Consult your local KitchenAid dealer or the store where you purchased the Stand Mixer for information on how to obtain service.

### For service information in Canada:

Call toll-free **1-800-807-6777**.  
Or write to:  
Customer eXperience Centre  
KitchenAid Canada  
200 - 6750 Century Ave.  
Mississauga, ON L5N 0B7

## Bienvenue dans le monde de KitchenAid®.

Nous nous engageons à vous aider à créer de délicieux repas pour votre famille et vos amis, et ce durant tout le cycle de vie de l'appareil. Pour contribuer à la longévité et à une bonne performance de votre appareil, conserver ce guide à portée de main. Il vous permettra d'utiliser et d'entretenir votre produit de la meilleure manière qui soit. Votre satisfaction est notre objectif numéro 1. Ne pas oublier d'enregistrer votre produit en ligne sur [www.kitchenaid.com](http://www.kitchenaid.com) ou par voie postale à l'aide de la carte d'enregistrement du produit ci-jointe.



É.-U. : 1.800.541.6390  
Canada : 1.800.807.6777

[KitchenAid.com](http://KitchenAid.com)  
[KitchenAid.ca](http://KitchenAid.ca)



# Table des matières

<b>SÉCURITÉ DU MÉLANGEUR SUR SOCLE</b>	
Consignes de sécurité importantes.....	18
Spécifications électriques.....	19
<b>PIÈCES ET CARACTÉRISTIQUES.....</b>	<b>20</b>
<b>ASSEMBLAGE DU MÉLANGEUR SUR SOCLE.....</b>	<b>21</b>
<b>UTILISATION DU MÉLANGEUR SUR SOCLE</b>	
Guide de réglage de la vitesse – Mélangeurs sur socle à 10 vitesses.....	23
<b>ACCESSOIRES.....</b>	<b>24</b>
<b>ENTRETIEN ET NETTOYAGE.....</b>	<b>24</b>
<b>CONSEILS D'UTILISATION POUR DE BONNS RÉSULTATS</b>	
Temps de mélange.....	25
Utilisation du mélangeur.....	25
Blancs d'œufs battus en neige – Conseils pratiques.....	26
Crème fouettée – Conseils pratiques.....	26
Conseils pour la préparation du pain.....	27
<b>GARANTIE.....</b>	<b>28</b>

## Votre sécurité et celle des autres est très importante.

Nous donnons de nombreux messages de sécurité importants dans ce manuel et sur votre appareil ménager. Assurez-vous de toujours lire tous les messages de sécurité et de vous y conformer.



Voici le symbole d'alerte de sécurité.

Ce symbole d'alerte de sécurité vous signale les dangers potentiels de décès et de blessures graves à vous et à d'autres.

Tous les messages de sécurité suivront le symbole d'alerte de sécurité et le mot "DANGER" ou "AVERTISSEMENT".  
Ces mots signifient :

**⚠ DANGER**

**Risque possible de décès ou de blessure grave si vous ne suivez pas immédiatement les instructions.**

**⚠ AVERTISSEMENT**

**Risque possible de décès ou de blessure grave si vous ne suivez pas les instructions.**

Tous les messages de sécurité vous diront quel est le danger potentiel et vous disent comment réduire le risque de blessure et ce qui peut se produire en cas de non-respect des instructions.

## CONSIGNES DE SÉCURITÉ IMPORTANTES

**Lors de l'utilisation d'appareils électriques, il faut toujours observer certaines précautions élémentaires de sécurité, y compris les suivantes :**

1. Lire toutes les instructions.
2. Pour éviter tout risque de choc électrique, ne pas immerger le mélangeur sur socle dans de l'eau ou tout autre liquide.
3. Une surveillance étroite s'impose lorsqu'un appareil ménager est utilisé par des enfants ou à leur proximité.
4. Débrancher le mélangeur sur socle lorsqu'il n'est pas utilisé, avant d'installer ou de retirer des accessoires et avant de le nettoyer.
5. Éviter tout contact avec les pièces en mouvement. Tenir les mains, cheveux, vêtements et les spatules ou autres ustensiles à l'écart du mélangeur lors du fonctionnement afin de réduire le risque de blessures corporelles et (ou) d'endommagement du mélangeur sur socle.
6. Ne pas faire fonctionner le mélangeur sur socle si le cordon ou la prise est endommagé(e), ou si le mélangeur ne fonctionne pas correctement, s'il est tombé ou a été endommagé d'une quelconque façon. Contacter le Centre de satisfaction de la clientèle KitchenAid® au 1-800-541-6390.
7. L'utilisation d'accessoires non recommandés ou non vendus par KitchenAid peut causer un incendie, un choc électrique ou des blessures.
8. Ne pas utiliser le mélangeur sur socle à l'extérieur.
9. Ne pas laisser le cordon pendre du rebord d'une table ou d'un plan de travail.
10. Retirer le batteur plat, le fouet en acier inoxydable ou le crochet pétrisseur en spirale du mélangeur sur socle avant de les laver.

**CONSERVER CES INSTRUCTIONS**  
**CE PRODUIT EST UNIQUEMENT RÉSERVÉ**  
**À UN USAGE DOMESTIQUE.**

## Spécifications électriques

### **⚠ AVERTISSEMENT**



#### **Risque de choc électrique**

**Brancher sur une prise à 3 alvéoles reliée à la terre.**

**Ne pas enlever la broche de liaison à la terre.**

**Ne pas utiliser un adaptateur.**

**Ne pas utiliser un câble de rallonge.**

**Le non-respect de ces instructions peut causer un décès, un incendie ou un choc électrique.**

Tension : 120 volts CA.

Fréquence : 60 Hz

**REMARQUE :** La puissance nominale du mélangeur sur socle est imprimée sur la plaque signalétique.

Ne pas utiliser de câble de rallonge. Si le cordon d'alimentation électrique est trop court, faire installer une prise près de l'appareil électroménager par un électricien ou un technicien de service qualifié.

La puissance nominale maximum est basée sur l'accessoire qui utilise le plus d'énergie (charge maximale). D'autres accessoires recommandés peuvent utiliser beaucoup moins d'énergie.

## Preuve d'achat et enregistrement du produit

Conservez toujours une copie détaillée du reçu de caisse indiquant la date d'achat du mélangeur sur socle. La preuve d'achat vous garantit le bénéfice du service après-vente. Avant d'utiliser le mélangeur sur socle, veuillez remplir et poster la carte d'enregistrement du produit emballée avec l'appareil. Grâce à cette carte, nous pourrons vous contacter dans l'éventualité improbable d'un avis de sécurité concernant le produit; ceci nous aidera aussi à nous conformer aux dispositions de la loi sur la sécurité des produits de consommation. Cette carte ne confirme pas votre garantie. Veuillez remplir ce qui suit pour références :

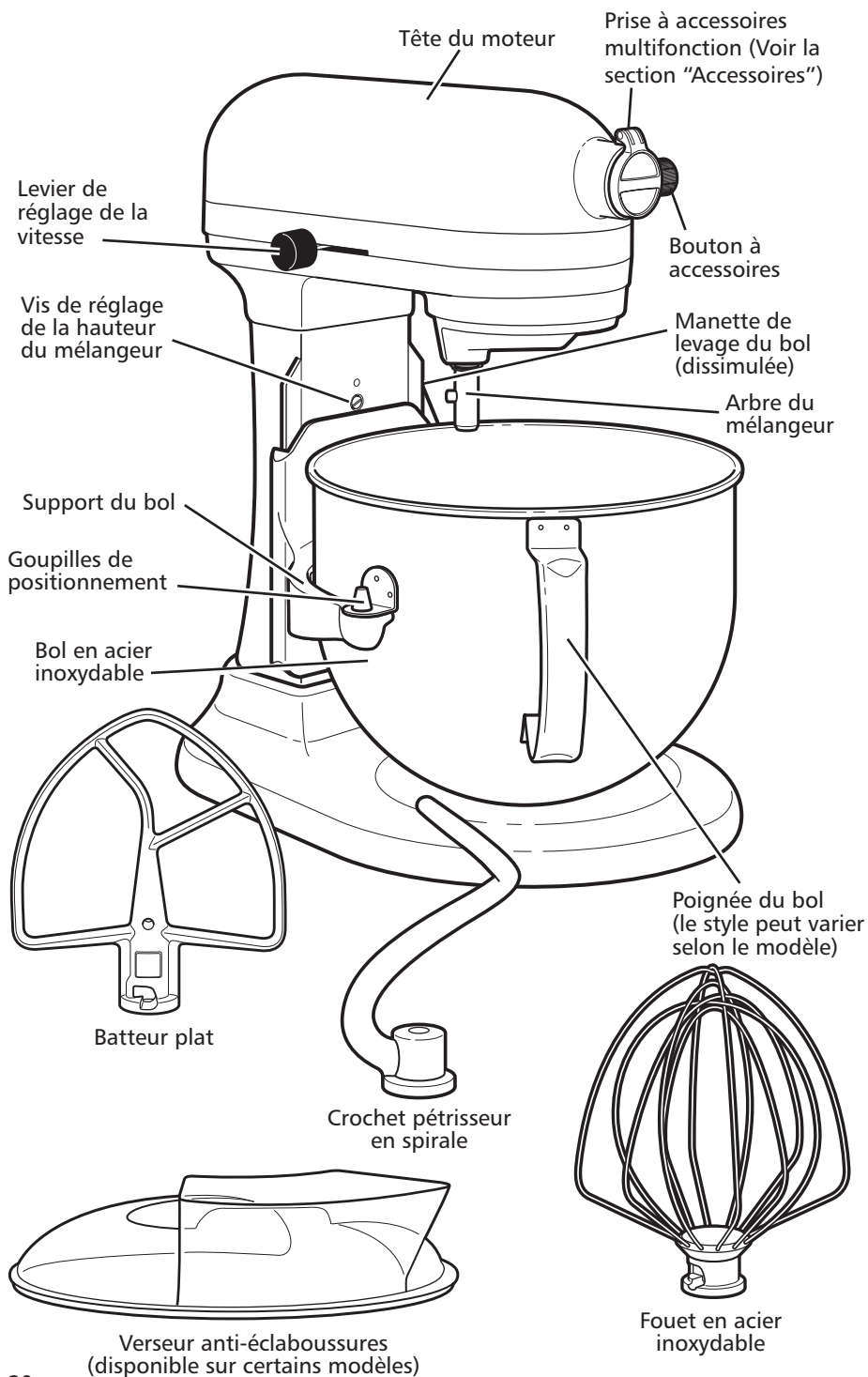
**Numéro de modèle** \_\_\_\_\_

**Numéro de série** \_\_\_\_\_

**Date d'achat** \_\_\_\_\_

**Nom du magasin** \_\_\_\_\_

# Pièces et caractéristiques



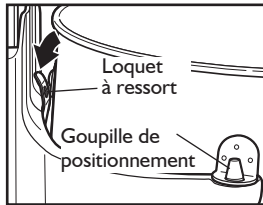
# Assemblage du mélangeur sur socle

## Mise en route du nouveau mélangeur lève-bol sur socle IMPORTANTES INFORMATIONS D'INSTALLATION :

Pour une performance idéale, veuillez suivre ces étapes rapides avant d'utiliser le mélangeur sur socle

**Étape 1 :** S'assurer que le mélangeur sur socle est à la position OFF (arrêt) et qu'il est débranché.

Fig. 1

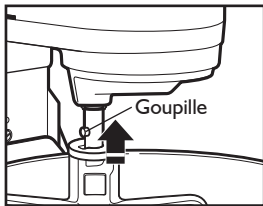


### Étape 2 : Fixer le bol en acier inoxydable au mélangeur sur socle.

Placer les supports du bol par-dessus les goupilles de positionnement puis appuyer sur l'arrière du bol jusqu'à ce que la goupille du bol s'emboîte dans le loquet à ressort. (Fig. 1).

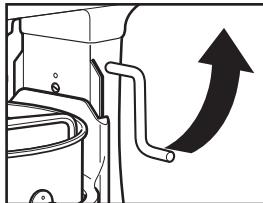
**IMPORTANT :** Si le bol n'est pas bien emboîté, il sera instable et peut tanguer durant son utilisation.

Fig. 2



**Étape 3 : Fixer le batteur plat.** Insérer le batteur plat sur l'arbre du batteur. Tourner le batteur vers la gauche en l'accrochant sur la goupille. (Fig. 2)

Fig. 3



**Étape 4 : Relever le bol et le placer en position pour le processus de mélange.** Faire pivoter la manette de levage du bol dans le sens antihoraire pour la placer en position redressée. (Fig. 3) Le bol doit toujours être en position redressée lors du mixage.

## **⚠ AVERTISSEMENT**



### **Risque de choc électrique**

**Brancher sur une prise à 3 alvéoles reliée à la terre.**

**Ne pas enlever la broche de liaison à la terre.**

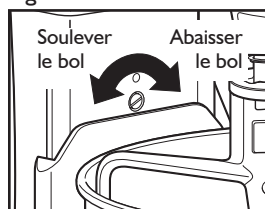
**Ne pas utiliser un adaptateur.**

**Ne pas utiliser un câble de rallonge.**

**Le non-respect de ces instructions peut causer un décès, un incendie ou un choc électrique.**

**Étape 5 : Vérifier qu'il existe bien un espace entre le mélangeur et le bol.** Vérifier que le batteur plat est proche du bol. Le mélangeur doit être très près du fond du bol mais il ne doit pas le toucher. Brancher le mélangeur sur socle. Mettre le mélangeur sur socle en marche et le faire fonctionner à chaque vitesse en s'assurant que le batteur plat ne touche pas le bol durant son fonctionnement. Si le batteur plat est trop loin du fond du bol ou s'il touche le bol, passer à l'étape 6 pour effectuer les ajustements nécessaires.

Fig. 4



### **Étape 6 : Ajuster le dégagement entre le mélangeur et le bol.**

Débrancher le mélangeur sur socle. Abaisser complètement le bol. Ajuster la vis de réglage de la hauteur du batteur pour abaisser ou élever le bol (Fig. 4). Répéter les étapes 2 à 5 avec le fouet en acier inoxydable et le crochet pétrisseur en spirale.

**IMPORTANT :** Il est possible que le mélangeur sur socle chauffe durant son utilisation. Lorsque l'on mélange de grosses préparations pendant une période prolongée, il est possible que toucher le sommet du mélangeur sur socle soit inconfortable. Ceci est normal. Il est possible que le moteur du mélangeur sur socle produise une odeur âcre lors de sa première utilisation. Ce phénomène est fréquent avec les moteurs électriques.






**Félicitations! Ce mélangeur sur socle est désormais installé et prêt à être utilisé.**

## Guide de réglage de la vitesse - Mélangeurs sur socle à 10 vitesses

RESET OFF/0 STIR 2 4 6 8 10



Toutes les vitesses disposent de la fonction Soft Start® qui déclenche automatiquement le démarrage progressif à basse vitesse du mélangeur avant de passer à la vitesse sélectionnée pour un résultat optimal, afin de minimiser les éclaboussures et les “nuages de farine” au début du mélange.

Vitesse	À utiliser pour	Accessoire	Description
Remuer	Remuer		Pour remuer lentement, lier, écraser les ingrédients et commencer toutes les procédures de mélange. Utiliser cette vitesse pour incorporer la farine et les ingrédients secs à une pâte et pour incorporer des liquides à des ingrédients secs. Ne pas utiliser la vitesse REMUER pour mélanger ou pétrir les pâtes à base de levure.
2	Mélanger, pétrir lentement		Pour mélanger lentement, écraser et remuer plus rapidement. Utiliser cette vitesse pour mélanger et pétrir les pâtes au levain, les pâtes épaisses et les confiseries; pour commencer à réduire en purée les pommes de terre ou autres légumes; pour sabler la matière grasse avec la farine; pour mélanger les pâtes légères ou celles susceptibles de produire des éclaboussures.
4	Mélanger, battre		Pour mélanger les pâtes semi-épaisses comme celles à biscuits. Utiliser cette vitesse pour travailler le sucre et la matière grasse ainsi que pour incorporer le sucre aux blancs d'œufs pour les meringues. Vitesse moyenne utilisée pour les préparations à gâteaux du commerce. À utiliser avec : le hachoir, la trancheuse/râpeuse rotative, la machine à pâtes et l'égouttoir à fruits/légumes.
6	Battre, réduire en crème		Pour battre à vitesse moyenne à élevée (pour réduire en crème) et pour fouetter. Utiliser cette vitesse pour finir de mélanger les pâtes à gâteaux, à beignets et autres. Vitesse élevée utilisée pour les mélanges à gâteaux.
8-10	Battre et fouetter rapidement, fouetter		Pour fouetter la crème, les blancs d'œufs et les glaçages cuits. Utiliser cette vitesse pour fouetter de petites quantités de crème et de blancs d'œufs et pour le fouettage final de purées de pommes de terre.

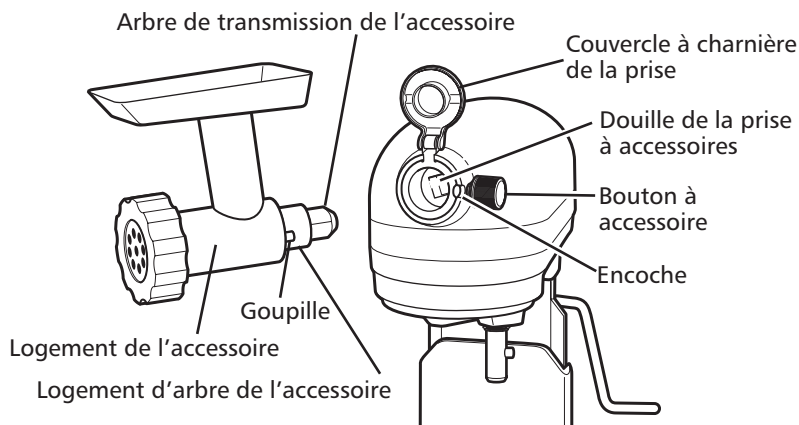
**REMARQUE :** Utiliser la vitesse 2 pour mélanger ou pétrir les pâtes au levain. L'utilisation de toute autre vitesse entraîne un potentiel élevé de défaillance du mélangeur sur socle. Le crochet pétrisseur en spirale PowerKnead™ pétrit efficacement la plupart des pâtes au levain en 4 minutes maximum.

### Tableau de capacité

	6 à 6,5 pintes (5,67 à 6,15 L)	5 à 5,5 pintes (4,73 à 5,20 L)
Farine	13 à 14 tasses	10 à 12 tasses
Pain	8 1/4 pains	6 pains
Biscuits	13 douzaines	9 douzaines
Pommes de terre en purée	8 lbs	6 1/2 lbs

## Renseignements généraux

Les accessoires KitchenAid® sont conçus pour une grande durabilité. L'arbre de transmission accessoires et la douille de la prise à accessoires sont de forme carrée afin d'éviter tout glissement durant la transmission de puissance à l'accessoire. La prise et le logement de l'arbre sont biseautés pour que les deux éléments soient bien fixés l'un contre l'autre, même après une utilisation et une usure prolongées. Les accessoires KitchenAid® ne nécessitent pas d'alimentation électrique supplémentaire pour fonctionner; le moteur est intégré.



## Entretien et nettoyage

Le bol en acier inoxydable, le batteur métallique plat avec revêtement, le fouet métallique en acier inoxydable et le crochet pétrisseur métallique en spirale avec revêtement sont lavables au lave-vaisselle. On peut aussi les laver soigneusement à l'eau chaude savonneuse et les rincer complètement avant de les sécher. Ne pas laisser les batteurs sur l'arbre.

**REMARQUE :** Veiller à toujours débrancher le mélangeur sur socle avant le nettoyage. Essuyer le mélangeur sur socle avec un linge doux et humide. Ne pas utiliser de nettoyants vendus dans le commerce/à usage domestique. Ne pas immerger dans l'eau. Essuyer l'arbre du batteur fréquemment, et éliminer tous les résidus qui pourraient s'y être accumulés.

Accessoires	Métal poli	Métal avec revêtement	Acier inoxydable
	Le batteur en métal poli et le crochet pétrisseur doivent être lavés à la main. Ceux-ci peuvent subir une décoloration s'ils sont lavés au lave-vaisselle.	On peut nettoyer les mélangeurs métalliques avec revêtement blanc ou argenté au lave-vaisselle (Disponible sur la plupart des modèles)	Non applicable
	Non applicable	Non applicable	Tous les fouets métalliques sont en acier inoxydable et doivent être lavés uniquement à la main.
	Non applicable	Non applicable	Tous les bols métalliques sont en acier inoxydable et sont lavables au lave-vaisselle. (Disponible sur tous les modèles lève-bol)



## Temps de mélange

Votre mélangeur sur socle KitchenAid® mélangera plus vite et plus en profondeur que la plupart des batteurs sur socle électriques. Le temps de mélange doit donc être ajusté pour la plupart des recettes avant d'éviter de mélanger la préparation pendant trop longtemps. Pour les gâteaux, par exemple, le temps de mélange peut être deux fois moins long qu'avec des batteurs sur socle traditionnels.

Pour déterminer la durée idéale de mélange, observer la pâte et mélanger jusqu'à l'obtention de la consistance désirée décrite dans votre recette, par exemple "lisse et crémeuse". Pour sélectionner les meilleures vitesses de mélange, consulter la section "Guide de réglage de la vitesse".

## Utilisation du mélangeur

### AVERTISSEMENT

#### Risque de blessure

Débrancher le batteur avant de toucher aux fouets.

Le non-respect de cette instruction peut entraîner des fractures d'os, des coupures ou des bleus.

**REMARQUE** : Ne pas gratter les parois du bol pendant que le mélangeur sur socle fonctionne.

## Ajout d'ingrédients

Toujours ajouter les ingrédients aussi près que possible des parois du bol et non pas directement dans la zone du batteur en mouvement. Le verseur anti-éclaboussures peut être utilisé pour simplifier l'ajout d'ingrédients.

## Ajout de noix, de raisins secs ou de fruits confits

Suivre chaque recette comme guide lors de l'ajout de ces ingrédients. En général, les matières solides doivent être incorporées au cours des dernières secondes de mélange à vitesse REMUER. La pâte doit être suffisamment épaisse pour éviter que les fruits ou les noix ne tombent au fond du moule durant la cuisson. Les fruits collants doivent être saupoudrés de farine pour une meilleure répartition dans la pâte.

## Mélanges liquides

Les mélanges comportant de grandes quantités d'ingrédients liquides doivent être mélangés à basse vitesse pour éviter les éclaboussures. N'augmenter la vitesse qu'une fois que le mélange a épaissi.

**REMARQUE** : Si les ingrédients qui se trouvent dans le fond du bol ne sont pas parfaitement mélangés, cela signifie que le batteur n'est pas suffisamment près du fond du bol. Consulter la section "Dégagement entre le batteur plat et le bol".

## Blancs d'œufs battus en neige – Conseils pratiques

Placer les blancs d'œufs à température ambiante dans le bol propre et sec. Installer le bol et le fouet métallique. Pour éviter les éclaboussures, augmenter graduellement la vitesse jusqu'à celle indiquée et fouetter jusqu'à la consistance voulue. Consulter le tableau ci-dessous.

### QUANTITÉ VITESSE

1 blanc d'œuf.....Graduellement jusqu'à 10  
2-4 blanc d'œuf Graduellement jusqu'à 8  
6 blancs d'œufs.....Graduellement jusqu'à 8 ou plus

### Étapes du fouettage

Avec votre mélangeur sur socle KitchenAid®, les blancs d'œufs montent rapidement en neige. Attention donc de ne pas trop fouetter. La liste suivante vous indique les étapes de fouettage :



#### Mousseux

Grosses bulles d'air inégales.

### Commence à garder sa forme

Les bulles d'air sont fines et compactes; le produit est blanc.



#### Pics mous

Les bouts des pics tombent lorsqu'on retire le fouet métallique.



#### Presque ferme

Les pics se forment lorsqu'on retire le fouet métallique, mais les blancs sont en fait mous.

### Pics fermes, mais pas secs

Des pics fermes et pointus se forment lorsqu'on retire le fouet métallique. Les blancs ont une couleur uniforme et brillent.

### Pics fermes et secs

Des pics fermes et pointus se forment lorsqu'on retire le fouet métallique. Les blancs sont tachetés et d'apparence terne.

## Crème fouettée – Conseils pratiques

Verser la crème fouettée froide dans un bol refroidi. Installer le bol et le fouet métallique. Pour éviter les éclaboussures, augmenter graduellement la vitesse jusqu'à celle indiquée et fouetter jusqu'à la consistance voulue. Consulter le tableau ci-dessous :

### QUANTITÉ VITESSE

1/4 tasse (50 mL)..Graduellement jusqu'à 10  
1/2 tasse (125 mL) Graduellement jusqu'à 10  
1 tasse (250 mL)...Graduellement jusqu'à 8  
1 pinte (500 mL)...Graduellement jusqu'à 8

### Étapes du fouettage

Surveiller attentivement la crème durant le fouettage. Parce que votre mélangeur sur socle KitchenAid® fouette si rapidement, il n'y a que quelques secondes entre les étapes du fouettage. Rechercher ces caractéristiques :

### Commence à épaissir

La crème est épaisse et ressemble à une crème anglaise.

### Garde sa forme

La crème forme des pics mous lorsqu'on retire le fouet métallique. Peut être incorporée à d'autres ingrédients pour la préparation de desserts et de sauces.



#### Ferme

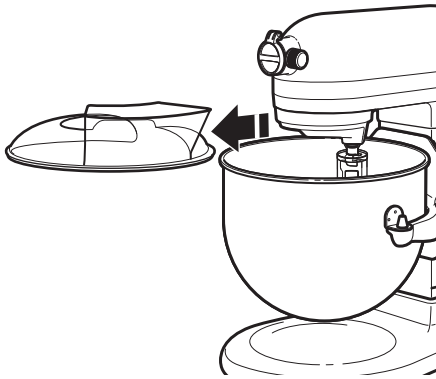
La crème forme des pics fermes et pointus lorsqu'on retire le fouet métallique. Utiliser pour garnir les gâteaux ou les desserts ou pour remplir les choux à la crème.

## Conseils pour la préparation du pain

La préparation du pain avec le batteur est assez différente de la préparation du pain à la main. Il vous faudra donc un certain temps d'adaptation avant de vous familiariser complètement avec la nouvelle méthode. Pour votre confort, nous vous offrons ces conseils pour vous aider à vous familiariser avec la préparation du pain façon KitchenAid®.

- Toujours utiliser le crochet pétrisseur en spirale PowerKnead™ pour mélanger et pétrir des pâtes au levain.
- Utiliser la vitesse 2 pour mélanger ou pétrir les pâtes au levain. Si l'on utilise une autre vitesse pour les pâtes lourdes, il est possible que le mélangeur s'arrête afin de limiter tout dommage. Ceci est normal. Si cela se produit, tourner le sélecteur de vitesse à la position d'arrêt puis le réactiver à une vitesse inférieure.


- Utiliser un thermomètre à bonbons ou un thermomètre de cuisine pour vérifier que les liquides ont bien atteint la température spécifiée dans la recette. À température plus élevée, un liquide peut détruire la levure – à température inférieure, il retarde au contraire son développement.
- Porter tous les ingrédients à température ambiante afin que la pâte puisse lever correctement. Si la levure doit être dissoute dans un bol, toujours chauffer le bol avant de le rincer à l'eau tiède afin d'éviter que les liquides ne refroidissent.
- Laisser le pain lever dans un endroit tiède à une température comprise entre 80°F et 85°F, à l'abri des courants d'air, sauf indication contraire dans la recette.



\*Pour les modèles avec verseur anti-éclaboussures.

## Garantie du mélangeur sur socle KitchenAid® pour les 50 États des États-Unis, le district fédéral de Columbia, Porto Rico et le Canada

La présente garantie couvre l'acheteur et les propriétaires ultérieurs du mélangeur sur socle lorsqu'il est utilisé dans les 50 États des États-Unis, le district fédéral de Columbia, Porto Rico et le Canada

<b>Durée de la garantie :</b>	Garantie complète d'un an à compter de la date d'achat.
<b>KitchenAid Will Pay for Your Choice of:</b>	Un remplacement satisfaction totale du mélangeur sur socle. Voir à la page suivante les détails concernant la manière d'obtenir une réparation ou un entretien, ou appeler le numéro sans frais <b>1-800-541-6390</b> du centre de satisfaction de la clientèle. OU Les frais de pièces de rechange et de main-d'œuvre pour corriger les vices de matériaux et de fabrication. Le service doit être fourni par un centre de réparation agréé KitchenAid.
 <b>KitchenAid ne prendra pas en charge :</b>	<b>A.</b> Les réparations lorsque le mélangeur sur socle est utilisé à des fins autres que l'usage domestique normal. <b>B.</b> Les dommages causés par accident, altération, mésusage ou abus. <b>C.</b> Tout frais d'expédition ou de manutention pour livrer votre mélangeur sur socle à un centre de réparation agréé. <b>D.</b> Les frais des pièces de rechange ou de main d'œuvre pour le mélangeur sur socle lorsqu'il est utilisé à l'extérieur des 50 États des États-Unis, du district fédéral de Columbia, de Porto Rico et du Canada.
<b>CLAUSE D'EXONÉRATION DE RESPONSABILITÉ AU TITRE DES GARANTIES IMPLICITES; LIMITATION DES RECOURS.</b> LES GARANTIES IMPLICITES, Y COMPRIS LES GARANTIES PROLONGÉES APPLICABLES DE QUALITÉ MARCHANDE OU D'APTITUDE À UN USAGE PARTICULIER, SONT EXCLUES DE LA PRÉSENTE GARANTIE, ET CE DANS LES LIMITES AUTORISÉES PAR LA LOI. TOUTE GARANTIE IMPLICITE POUVANT ÊTRE IMPOSÉE PAR LA LOI EST LIMITÉE À UN AN, OU À LA PLUS COURTE PÉRIODE AUTORISÉE PAR LA LOI. CERTAINES JURIDICTIONS NE PERMETTENT PAS LA LIMITATION DE LA DURÉE DE VALIDITÉ DES GARANTIES IMPLICITES DE QUALITÉ MARCHANDE OU D'APTITUDE À UN USAGE PARTICULIER; PAR CONSÉQUENT, LES LIMITATIONS OU EXCLUSIONS STIPULÉES DANS LES PRÉSENTES PEUVENT NE PAS VOUS ÊTRE APPLICABLES. SI CE PRODUIT NE FONCTIONNE PAS TEL QUE GARANTI, LE SEUL ET UNIQUE RECOURS DU CLIENT CONSISTE À EN OBTENIR LA RÉPARATION OU LE REMPLACEMENT CONFORMÉMENT AUX TERMES DE LA PRÉSENTE GARANTIE LIMITÉE. KITCHENAID ET KITCHENAID CANADA DÉCLINENT TOUTE RESPONSABILITÉ AU TITRE DES DOMMAGES FORTUITS OU INDIRECTS. Cette garantie vous confère des droits juridiques spécifiques et vous pouvez également jouir d'autres droits qui peuvent varier d'un État à l'autre ou d'une province à l'autre.	

## Garantie satisfaction totale de 1 an – 50 États des États-Unis, district de Columbia et Porto Rico

Nous sommes tellement certains que la qualité de nos produits satisfait aux normes exigeantes de KitchenAid; aussi, si le mélangeur sur socle cesse de fonctionner au cours de la première année, KitchenAid® s'engage à livrer gratuitement à votre porte un appareil de remplacement identique ou comparable et prendra les dispositions nécessaires pour que le mélangeur d'origine nous soit retourné. L'appareil de remplacement sera également couvert par notre garantie limitée d'un an. Veuillez suivre ces instructions pour bénéficier de ce service de qualité.

Si le mélangeur sur socle cesse de fonctionner au cours de la première année suivant son acquisition, il suffit d'appeler

le numéro sans frais **1-800-541-6390** du Centre de satisfaction de la clientèle du lundi au samedi. Veuillez avoir votre reçu de vente à disposition au moment de votre appel. Une preuve d'achat est indispensable pour que votre réclamation puisse être traitée. Veuillez fournir votre adresse de livraison complète au représentant. (Pas de boîte postale, s.v.p.)

À réception du mélangeur sur socle de rechange, utiliser le carton et les matériaux d'emballage pour emballer le mélangeur sur socle d'origine. Veuillez indiquer vos nom et adresse sur une feuille de papier et insérez-la dans le carton avec une copie de votre preuve d'achat (reçu de caisse, facture de règlement par carte de crédit, etc.).

## Garantie satisfaction totale - Canada

Nous sommes tellement certains que la qualité de nos produits satisfait aux normes exigeantes de KitchenAid; aussi, si le mélangeur sur socle cesse de fonctionner au cours de la première année, KitchenAid® s'engage à livrer gratuitement à votre porte un appareil de remplacement identique ou comparable. L'appareil de remplacement sera également couvert par notre garantie limitée d'un an. Veuillez suivre ces instructions pour bénéficier de ce service de qualité.

Si le mélangeur sur socle cesse de fonctionner durant la première année suivant son acquisition, apporter ou réexpédier le

mélangeur sur socle port dû vers un Centre de réparation KitchenAid® agréé. Veuillez indiquer vos nom et adresse d'expédition complets dans le carton et joignez une copie de votre preuve d'achat (reçu de caisse, facture de règlement par carte de crédit, etc.). Votre mélangeur sur socle de rechange sera retourné port payé et assuré. Si le service que vous obtenez de cette manière n'est pas satisfaisant, appelez sans frais notre centre d'eXpérience à la clientèle au **1-800-807-6777**.

Vous pouvez aussi nous écrire à l'adresse suivante :

Centre d'eXpérience à la clientèle  
KitchenAid Canada  
200 - 6750 Century Ave.  
Mississauga, ON L5N 0B7

## Obtenir un dépannage une fois la garantie expirée ou commander des accessoires et pièces de rechange

---

### **Aux États-Unis et à Porto Rico :**

Pour des renseignements sur le service de dépannage ou pour commander des accessoires ou des pièces de rechange, composer le numéro sans frais **1-800-541-6390** ou écrire à :  
Customer Satisfaction Center,  
KitchenAid Portable Appliances,  
P.O. Box 218, St. Joseph, MI 49085-0218

### **À l'extérieur des États-Unis et de Porto Rico:**

Demander la marche à suivre pour obtenir un service de dépannage au distributeur local KitchenAid ou au détaillant auprès duquel le mélangeur sur socle a été acheté.

### **Pour des renseignements sur le service de dépannage au Canada:**

Composer le numéro sans frais  
**1-800-807-6777**.

Ou écrire à :  
Centre d'eXpérience à la clientèle  
KitchenAid Canada  
200 - 6750 Century Ave.  
Mississauga, ON L5N 0B7



## Bienvenido al mundo de KitchenAid®.

Bienvenido al mundo de KitchenAid®. Estamos comprometidos a ayudarle a crear deliciosas comidas para su familia y amistades por toda la vida. Para ayudar a asegurar la larga duración y el desempeño de su aparato, mantenga esta guía a la mano. Ésta le proveerá información sobre la mejor manera de usar y cuidar su producto. Su satisfacción es nuestra meta número 1. Recuerde registrar su producto en línea en [www.kitchenaid.com](http://www.kitchenaid.com), o bien por correo usando la Tarjeta de registro del producto adjunta.



En EE.UU.: 1.800.541.6390  
En Canadá: 1.800.807.6777

[KitchenAid.com](http://KitchenAid.com)  
[KitchenAid.ca](http://KitchenAid.ca)



# Índice

<b>SEGURIDAD DE LA BATIDORA CON BASE</b>	
Salvaguardias importantes .....	34
Requisitos eléctricos.....	35
<b>PIEZAS Y CARACTERÍSTICAS</b> .....	36
<b>CÓMO PREPARAR LA BATIDORA CON BASE</b> .....	37
<b>CÓMO USAR LA BATIDORA CON BASE</b>	
Guía de control de velocidad - batidoras con base de 10 velocidades.....	39
<b>ADITAMENTOS Y ACCESORIOS</b> .....	40
<b>CUIDADO Y LIMPIEZA</b> .....	40
<b>CONSEJOS PARA OBTENER RESULTADOS IDEALES</b>	
Tiempo de mezclado .....	41
Uso de la batidora .....	41
Consejos para batir claras de huevo .....	42
Consejos para hacer crema batida.....	42
Consejos para hacer pan.....	43
<b>GARANTÍA</b> .....	44

## Su seguridad y la seguridad de los demás es muy importante.

Hemos incluido muchos mensajes importantes de seguridad en este manual y en su electrodoméstico. Lea y obedezca siempre todos los mensajes de seguridad.



Este es el símbolo de advertencia de seguridad.

Este símbolo le llama la atención sobre peligros potenciales que pueden ocasionar la muerte o una lesión a usted y a los demás.

Todos los mensajes de seguridad irán a continuación del símbolo de advertencia de seguridad y de la palabra "PELIGRO" o "ADVERTENCIA".

Estas palabras significan:

 **PELIGRO**

**Si no sigue las instrucciones de inmediato, usted puede morir o sufrir una lesión grave.**

 **ADVERTENCIA**

**Si no sigue las instrucciones, usted puede morir o sufrir una lesión grave.**

Todos los mensajes de seguridad le dirán el peligro potencial, le dirán cómo reducir las posibilidades de sufrir una lesión y lo que puede suceder si no se siguen las instrucciones.

## SALVAGUARDIAS IMPORTANTES

**Al utilizar aparatos eléctricos, se deben seguir las precauciones básicas de seguridad, entre las que se incluyen las siguientes:**

1. Lea todas las instrucciones.
2. Para evitar el riesgo de choque eléctrico, no ponga la batidora con base en agua ni en ningún otro líquido.
3. Es necesario supervisar cuidadosamente a los niños cuando usen cualquier aparato o cuando éste se use cerca de ellos.
4. Desenchufe la batidora con base del contacto cuando no esté en uso, antes de colocar o quitar partes y antes de la limpieza.
5. Evite tocar las partes que estén en movimiento. Mantenga las manos, el cabello y la ropa, así como también las espátulas y otros utensilios, lejos del batidor durante el funcionamiento, para reducir el riesgo de heridas a personas y/o daños a la batidora con base.
6. No use la batidora con base si tiene un cable o enchufe dañado, si no ha funcionado correctamente, si se ha caído o si está dañada de alguna forma. Llame al Centro para la satisfacción del cliente de KitchenAid® al 1-800-541-6390 para obtener más información.
7. El uso de aditamentos no recomendados o vendidos por KitchenAid puede provocar un incendio, choque eléctrico o lesión.
8. No utilice la batidora con base en exteriores.
9. No deje que el cable cuelgue del borde de la mesa o del mostrador.
10. Quite el batidor plano, el batidor de acero inoxidable o el gancho para masa en espiral de la batidora con base antes de lavarlos.

## GUARDE ESTAS INSTRUCCIONES

**ESTE PRODUCTO HA SIDO DISEÑADO ÚNICAMENTE PARA USO DOMÉSTICO.**

## Requisitos eléctricos

### **⚠️ ADVERTENCIA**



#### **Peligro de Choque Eléctrico**

**Conecte a un contacto de pared de conexión a tierra de 3 terminales.**

**No quite la terminal de conexión a tierra.**

**No use un adaptador.**

**No use un cable eléctrico de extensión.**

**No seguir estas instrucciones puede ocasionar la muerte, incendio o choque eléctrico.**

Voltios: 120 CA  
Hertzios: 60 Hz

**NOTA:** La clasificación de potencia para su batidora con base está impresa en la placa con el número de serie.

No use un cable eléctrico de extensión. Si el cable de suministro eléctrico es demasiado corto, haga que un electricista o técnico de servicio competente instale un contacto cerca del electrodoméstico.

La clasificación máxima está basada en el accesorio que requiera la mayor carga (potencia). Otros accesorios recomendados pueden requerir una potencia significativamente menor.

## Prueba de compra y registro del producto

Guarde siempre una copia del recibo de compra, que muestre todos los artículos comprados y fecha de compra de su batidora con base. La prueba de compra le asegurará el servicio bajo la garantía. Antes de usar la batidora con base, llene y envíe por correo la tarjeta de registro del producto, que fue empacada con la unidad. Esta tarjeta nos permitirá contactarlo en el caso improbable de una notificación acerca de la seguridad del producto y nos asistirá para cumplir con las medidas de Consumer Product Safety Act (Ley de seguridad de productos al consumidor). Esta tarjeta no confirma su garantía. Sírvase completar lo siguiente para su información personal:

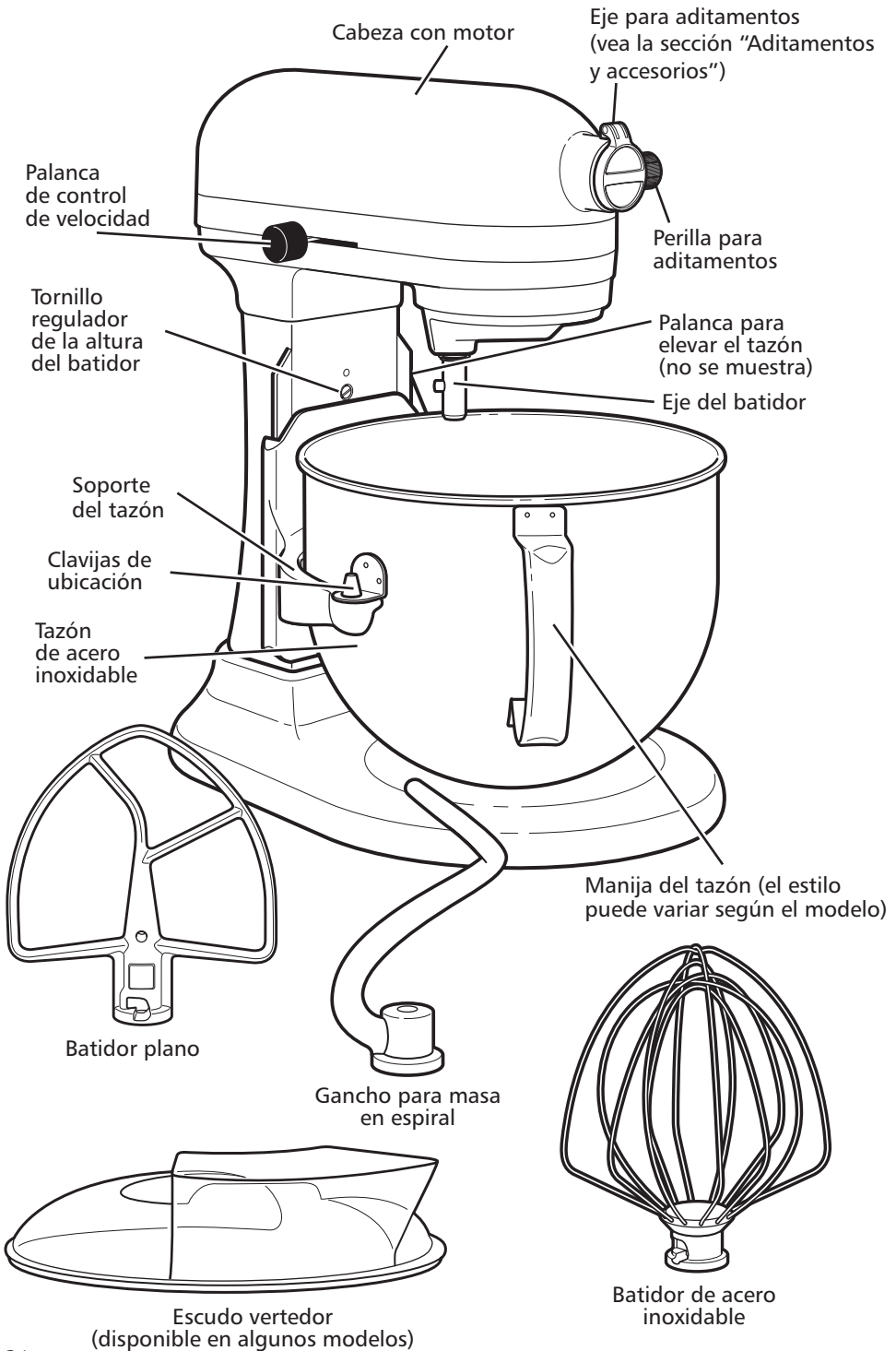
**Número de modelo** \_\_\_\_\_

**Número de serie** \_\_\_\_\_

**Fecha de compra** \_\_\_\_\_

**Nombre de la tienda** \_\_\_\_\_

# Piezas y características



# Cómo preparar la batidora con base

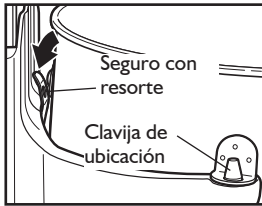
## Cómo comenzar a usar su nueva batidora con base y tazón que se levanta

### INFORMACIÓN IMPORTANTE PARA LA PREPARACIÓN:

Para el mejor desempeño, siga estos pasos rápidos antes de usar su batidora con base

**Paso 1:** Cerciórese de que la batidora con base esté en la posición de OFF (Apagado) y desenchufada.

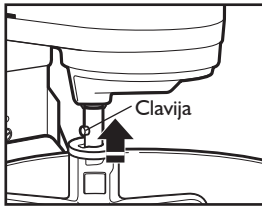
Fig. 1



**Paso 2: Sujete el tazón de acero inoxidable a la batidora con base.** Haga encajar los soportes del tazón sobre las clavijas de ubicación y presione hacia abajo en la parte posterior del tazón hasta que la clavija del mismo encaje a presión en el seguro con resorte. (Fig. 1)

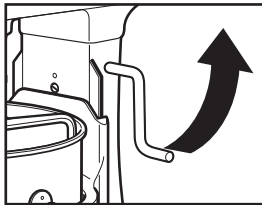
**IMPORTANTE:** Si el tazón no encaja de modo seguro en su lugar, quedará inestable y se tambaleará durante el uso.

Fig. 2



**Paso 3: Sujete el batidor plano.** Deslice el batidor plano sobre el eje. Gírelo hacia la izquierda, enganchando el batidor sobre la clavija. (Fig. 2)

Fig. 3



**Paso 4: Eleve el tazón hacia la posición para mezclar.** Gire la palanca de elevación del tazón hacia la izquierda hasta que quede en posición recta. (Fig. 3) El tazón deberá estar siempre en la posición elevada cuando esté mezclando.

## ⚠ ADVERTENCIA



### Peligro de Choque Eléctrico

**Conecte a un contacto de pared de conexión a tierra de 3 terminales.**

**No quite la terminal de conexión a tierra.**

**No use un adaptador.**

**No use un cable eléctrico de extensión.**

**No seguir estas instrucciones puede ocasionar la muerte, incendio o choque eléctrico.**

**Paso 5: Pruebe la distancia entre el batidor y el tazón.** Verifique la proximidad del batidor plano al tazón. El batidor deberá estar apenas por encima del fondo del tazón, pero no debe tocarlo. Enchufe la batidora con base. Enciéndala (ON) y pruebe cada velocidad, cerciorándose de que el batidor no toque el tazón durante el funcionamiento. Si el batidor está demasiado lejos del fondo, o si está tocando el tazón, proceda con el paso 6 para hacer los ajustes necesarios.

Fig. 4



### Paso 6: Regule la distancia entre el batidor y el tazón.

Desenchufe la batidora con base. Baje el tazón. Regule el tornillo de ajuste de la altura del batidor para bajar o levantar el tazón (Fig. 4). Repita los pasos 2 a 5 con el batidor de acero inoxidable y el gancho en espiral para masa.

**¡IMPORTANTE!** La batidora con base se puede calentar durante el uso. Cuando trabaje con cargas pesadas y períodos de tiempo de mezclado prolongados, quizá no pueda tocar cómodamente la parte superior de la batidora con base. Esto es normal. La batidora con base podrá emitir un olor cáustico durante el funcionamiento inicial. Esto es común en los motores eléctricos.

**¡Felicitaciones! Su batidora con base está ahora preparada y lista para ser usada.**

# Cómo usar la batidora con base

## Guía de control de velocidad - batidoras con base de 10 velocidades

RESET OFF/0 2 4 6 8 10



Todas las velocidades incluyen la característica Soft Start®, la cual pone la batidora con base en marcha en una velocidad más baja automáticamente, para ayudar a evitar que se salpiquen los ingredientes y se hagan nubes de harina al comienzo del mezclado, luego aumenta rápidamente hasta alcanzar la velocidad seleccionada para un desempeño óptimo.

Velocidad	Para usar con	Aditamento	Descripción
Revolver	Revolver		Para revolver lentamente, combinar, hacer puré y comenzar todos los procedimientos de mezclado. Use esta velocidad cuando agregue harina a la masa, y para agregar líquidos a ingredientes secos. No use la velocidad de STIR para mezclar o amasar mezclas con levadura.
2	Mezclar lentamente, amasar		Para mezclar lentamente, hacer puré o revolver más rápido. Use esta velocidad para mezclar y amasar masas con levadura, y masas y dulces densos; comenzar a hacer puré de papas u otros vegetales; incorporar manteca a la harina; mezclar masas ligeras o que puedan salpicar.
4	Mezclar y batir		Para mezclar masas semidensas, tales como para galletas. Use esta velocidad para combinar azúcar y manteca y para agregar azúcar a claras de huevo para preparar merengues. Velocidad media para mezclas de pasteles. Usar con: Molinillo de alimentos, rebanador/cortadora con rotor, rodillo para pasta y colador para frutas/verduras.
6	Batir, hacer cremoso		Para batir a velocidad media-rápida (hacer cremoso) o batir. Use esta velocidad para terminar de batir masas para pastel, donas y otro tipo de batidos para rebozar. Velocidad alta para mezclas de pasteles.
8-10	Batido rápido o batido		Para batir crema, claras de huevo y glaseados hervidos. Para batir pequeñas cantidades de crema y claras de huevo o para terminar de batir el puré de papas.

**NOTA:** Use la velocidad 2 para mezclar o amasar mezclas con levadura. Usar cualquier otra velocidad crea un alto potencial de falla de la batidora. El gancho para masa en espiral PowerKnead™ amasa eficazmente la mayoría de las masas con levadura en menos de 4 minutos

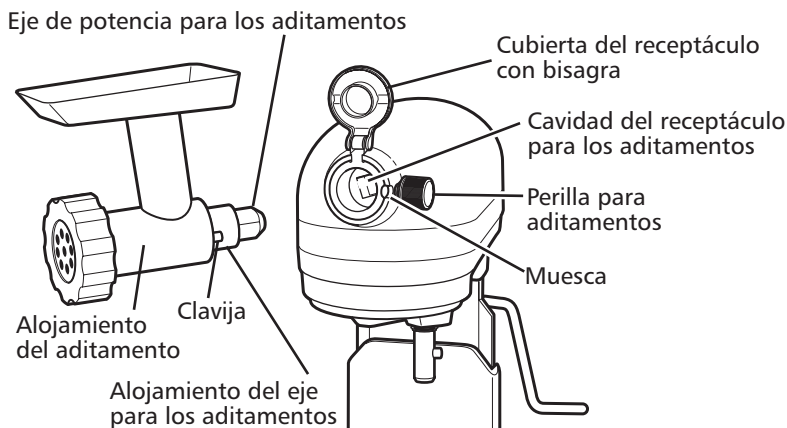
## Tabla de capacidad

	6 a 6,5 cuartos (5,67 a 6,15 L)	5 a 5,5 cuartos (4,73 a 5,20 L)
Harina	13 a 14 tazas	10 a 12 tazas
Pan	8 1/4 barras	6 barras
Galletas	13 docenas	9 docenas
Puré de papás	8 lb	6 1/2 lb

# Aditamentos y accesorios

## Información general

Los aditamentos de KitchenAid® se han diseñado para asegurar una larga vida útil. El eje de potencia y la cavidad del receptáculo del aditamento tienen un diseño cuadrado, el cual elimina cualquier posibilidad de que el accesorio se deslice fuera del receptáculo durante la transmisión de energía al aditamento. Los alojamientos de la cavidad y del eje se han estrechado para asegurar que el aditamento encaje de manera ajustada, aun después del uso prolongado y el desgaste. Los aditamentos de KitchenAid® no requieren una unidad de suministro eléctrico adicional; la unidad de suministro está incorporada.



## Cuidado y limpieza

El tazón de acero inoxidable, el batidor plano de metal revestido, el batidor de alambre de acero inoxidable y el gancho en espiral para masa de metal revestido pueden lavarse en una lavavajillas automática. O bien, lávelos a fondo en agua caliente jabonosa y enjuáguelos por completo antes de secarlos. No deje los batidores sobre el eje cuando no se utilicen.

**NOTA:** Cerciórese siempre de desenchufar la batidora con base antes de la limpieza. Limpie la batidora con base con un paño suave húmedo. No use limpiadores domésticos ni comerciales. No la sumerja en el agua. Limpie el eje del batidor con frecuencia, quitando cualquier residuo que se pueda acumular.

Accesorios	Metal bruñado	Metal revestido	Acero inoxidable
	El batidor de metal bruñado y el gancho para masa deberán lavarse a mano. Pueden decolorarse si se lavan en la lavavajillas.	Los batidores en metal revestido de color blanco o plateado pueden lavarse en la lavavajillas. (Disponible en la mayoría de los modelos)	No es aplicable
	No es aplicable	No es aplicable	Todos los batidores de alambre son de acero inoxidable y deben lavarse solamente a mano.
	No es aplicable	No es aplicable	Todos los tazones de metal son de acero inoxidable y pueden lavarse en la lavavajillas. (Disponibles en todos los modelos con tazón que se levanta)



## Tiempo de mezclado

Su batidora con base KitchenAid® mezclará más rápido y a fondo que la mayoría de las batidoras con base eléctricas. Por consecuencia, el tiempo de mezclado en la mayoría de las recetas se deberá ajustar para evitar mezclar en exceso. Con los pasteles, por ejemplo, el tiempo de batido podrá tomar la mitad del tiempo que con otras batidoras con base.

Para ayudar a determinar el tiempo de mezclado ideal, observe la masa para rebozar o la masa y mezcle solamente hasta ver la apariencia descrita en la receta, tal como “suave y cremoso”. Para seleccionar las mejores velocidades de mezclado, use la sección “Guía de control de velocidad”.

## Uso de la batidora

### **ADVERTENCIA**

#### **Peligro de Lesiones**

**Desenchufe la batidora antes de tocar los batidores.**

**No seguir esta instrucción puede ocasionar fracturas de huesos, cortaduras o magulladuras.**

**NOTA:** No raspe el tazón mientras la batidora con base esté funcionando.

## Cómo agregar ingredientes

Siempre agregue los ingredientes tan cerca del lado del tazón como sea posible, no lo haga directamente sobre el batidor en movimiento. El escudo vertedor puede usarse para agregar los ingredientes con más facilidad.

## Cómo agregar frutos secos, pasas o frutas confitadas

Siga las recetas individuales para ver las pautas sobre cómo incluir estos ingredientes. En general, los materiales sólidos deben incorporarse durante los últimos segundos de mezclado en la velocidad STIR (Revolver). La masa para rebozar debe ser lo suficientemente densa para evitar que las frutas o los frutos secos se peguen al fondo del molde durante el horneado. Las frutas pegajosas deben espolvorearse con harina para una mejor distribución en la masa.

## Mezclas líquidas

Las mezclas que contienen grandes cantidades de ingredientes líquidos deben mezclarse a velocidades más bajas para evitar salpicaduras. Aumente la velocidad solamente después de que se haya espesado la mezcla.

**NOTA:** Si los ingredientes en el fondo del tazón no se mezclan a fondo, entonces el batidor no está lo suficientemente cerca del fondo del tazón. Consulte la sección “Cómo preparar la batidora con base”.

## Consejos para batir claras de huevo

Coloque las claras de huevo en un tazón limpio y seco a temperatura ambiente. Sujete el tazón de acero inoxidable y el batidor de acero inoxidable. Para evitar salpicaduras, aumente a la velocidad designada gradualmente y bata hasta el punto deseado. Vea el cuadro a continuación.

<b>CANTIDAD</b>	<b>VELOCIDAD</b>
1 clara de huevo .....	Gradualmente hasta 10
2 a 4 claras de huevo.....	Gradualmente hasta 8
6 o más claras de huevo.....	Gradualmente hasta 8

### Etapas de batido

Con su batidora con base KitchenAid®, las claras de huevo se batan rápidamente. Por lo tanto, esté al tanto para no batir en exceso. Esta lista le dice lo que debe esperar.



#### Espumoso

Burbujas de aire grandes y desiguales.

### Comienza a mantener la forma

Las burbujas de aire son finas y compactas; el producto es blanco.



#### Pico suave

Las puntas de los picos se deshacen cuando se quita el batidor de alambre.



#### Casi firmes

Se forman picos muy marcados cuando se quita el batidor de acero inoxidable, pero en realidad las claras están suaves.

### Firmes pero no secas

Se forman picos muy marcados y firmes cuando se quita el batidor de alambre. Las claras son uniformes en color y brillan.

### Firmes y secas

Se forman picos muy marcados y firmes cuando se quita el batidor de alambre. Las claras tienen pintitas y una apariencia pálida.

## Consejos para hacer crema batida

Vierta crema para batir fría en un tazón que se haya enfriado previamente. Sujete el tazón de acero inoxidable y el batidor de acero inoxidable. Para evitar salpicaduras, aumente a la velocidad designada gradualmente y bata hasta el punto deseado. Vea el cuadro a continuación.

<b>CANTIDAD</b>	<b>VELOCIDAD</b>
1/4 taza (50 mL) .....	Gradualmente hasta 10
1/2 taza (125 mL) .....	Gradualmente hasta 10
1 taza (250 mL) .....	Gradualmente hasta 8
1 pinta (500 mL) .....	Gradualmente hasta 8

### Etapas de batido

Preste atención cuidadosamente durante el batido. Debido a que su batidora con base KitchenAid® bate tan rápido, sólo hay unos cuantos segundos entre las etapas de batido. Busque estas características:

#### Comienza a espesarse

La crema es densa y parece natilla.

#### Mantiene la forma

Se forman picos suaves cuando se quita el batidor de acero inoxidable. Puede incorporarse a otros ingredientes cuando se preparan postres y salsas.



#### Firme

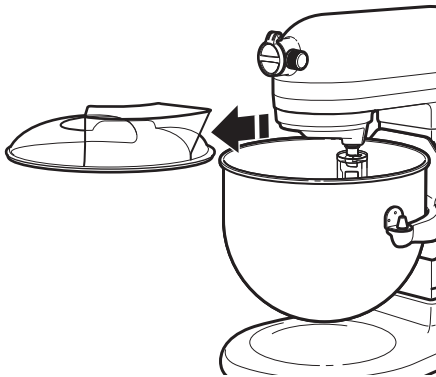
La crema se mantiene en picos firmes y muy marcados cuando se quita el batidor de acero inoxidable. Úsela para cubrir pasteles o postres, o bien para rellenar bollos de crema.

## Consejos para hacer pan

Hacer pan con la batidora es muy diferente de hacerlo a mano. Por lo tanto, tomará algo de práctica antes de sentirse completamente cómodo con el nuevo proceso. Para su conveniencia, le ofrecemos estos consejos para ayudarlo a que se acostumbre a hacer pan al estilo KitchenAid®.

- Siempre use el gancho para masa en espiral PowerKnead™ para mezclar y amasar las masas con levadura.
- Use la velocidad 2 para mezclar o amasar mezclas con levadura. Si usa cualquier otra velocidad con masas pesadas, la batidora puede dejar de girar para limitar el daño a la misma. Esto es el funcionamiento normal. Si esto ocurre, gire el selector de velocidad hacia apagado y gírelo nuevamente hacia una velocidad más baja.

- Use un termómetro de cocina para dulces u otro tipo de termómetro de cocina para asegurar que los líquidos estén a la temperatura especificada en la receta. Los líquidos a una temperatura más alta pueden matar la levadura, mientras que los líquidos a una temperatura más baja enlentecerán el crecimiento de la levadura.
- Permita que todos los ingredientes se pongan a temperatura ambiente para asegurar que la masa leude apropiadamente. Si la levadura se va a disolver en un tazón, siempre caliente el tazón previamente, enjuagándolo con agua tibia para evitar enfriar los líquidos.
- Permita que el pan se levante en un lugar tibio, entre 80 °F y 85 °F (27 °C a 29 °C), a menos que se indique lo contrario en la receta.



\*Para los modelos con escudo vertedor.

## Garantía de KitchenAid® para la batidora con base en los 50 estados de los Estados Unidos, el Distrito de Columbia, Puerto Rico y Canadá

Esta garantía se extiende al comprador y a cualquier propietario subsiguiente para las licuadoras con base usadas en los 50 estados de Estados Unidos, el Distrito de Columbia, Puerto Rico y Canadá.

<b>Duración de la garantía:</b>	Un año de garantía completa a partir de la fecha de compra.
<b>KitchenAid pagará por lo siguiente, a su elección:</b>	<p>Reemplazo sin dificultades de su batidora con base. Consulte la siguiente página para obtener detalles acerca de cómo obtener el servicio o llame al Centro para la satisfacción del cliente, sin cargo, al <b>1-800-541-6390</b>. O BIEN</p> <p>Los costos de las piezas de repuesto y del trabajo de reparación para corregir los defectos en los materiales y la mano de obra. El servicio deberá ser provisto por un centro de servicio autorizado por KitchenAid.</p>
<b>KitchenAid no pagará por:</b>	<ul style="list-style-type: none"><li><b>A.</b> Reparaciones cuando su batidora con base ha sido empleada para fines ajenos al uso doméstico normal de una familia.</li><li><b>B.</b> Daños causados por accidente, alteración, uso indebido o abuso.</li><li><b>C.</b> Cualquier gasto de envío o manejo para llevar la batidora con base a un centro de servicio autorizado.</li><li><b>D.</b> Piezas de repuesto o costos de mano de obra para batidoras con base operadas fuera de los 50 estados de Estados Unidos, el Distrito de Columbia, Puerto Rico y Canadá.</li></ul>
<b>DESCARGO DE RESPONSABILIDAD DE GARANTÍAS IMPLÍCITAS; LIMITACIÓN DE RECURSOS</b> <p>LAS GARANTÍAS IMPLÍCITAS, INCLUYENDO EN LA MEDIDA QUE CORRESPONDA LAS GARANTÍAS DE COMERCIABILIDAD O DE CAPACIDAD PARA UN PROPÓSITO PARTICULAR, SON EXCLUIDAS EN LA MEDIDA EN QUE SEA LEGALMENTE PERMISIBLE. TODA GARANTÍA QUE SEA IMPUESTA POR LEY SERÁ LIMITADA A UN AÑO O AL PERÍODO MÁS CORTO PERMITIDO POR LEY. ALGUNOS ESTADOS Y PROVINCIAS NO PERMITEN LAS LIMITACIONES O EXCLUSIONES ACERCA DE CUÁNTO DEBE DURAR UNA GARANTÍA IMPLÍCITA DE COMERCIABILIDAD O CAPACIDAD, DE MODO QUE LAS LIMITACIONES O EXCLUSIONES ARRIBA MENCIONADAS PUEDEN NO APLICARSE EN SU CASO.</p> <p>SI ESTE PRODUCTO NO FUNCIONA COMO LO INDICA LA GARANTÍA, EL ÚNICO Y EXCLUSIVO RECURSO DEL CLIENTE SERÁ EL DE REPARARLO O REEMPLAZARLO SEGÚN LOS TÉRMINOS DE ESTA GARANTÍA LIMITADA. KITCHENAID Y KITCHENAID CANADA NO SE RESPONSABILIZARÁN POR DAÑOS INCIDENTALES O CONSECUENTES. Esta garantía le otorga derechos legales específicos, y es posible que usted tenga también otros derechos, los cuales varían de un estado a otro o de una provincia a otra.</p>	



## Garantía de reemplazo de 1 año, sin dificultades – En los cincuenta estados de Estados Unidos, el Distrito de Columbia y Puerto Rico

Confiamos tanto en que la calidad de nuestros productos cumple con las exigentes normas de KitchenAid que, si la batidora con base presentara alguna falla durante el primer año de compra, KitchenAid hará arreglos para entregar un reemplazo idéntico o comparable a su domicilio sin cargo y arreglará la devolución de su batidora con base original a nosotros. La unidad de reemplazo estará también cubierta por nuestra garantía limitada de un año. Sírvase seguir estas instrucciones para recibir este servicio de calidad.

Si su batidora con base fallara durante el primer año de compra, simplemente llame a nuestro Centro de satisfacción del cliente al

**1-800-541-6390** de lunes a sábado. Tenga a mano el recibo de compra original cuando llame. Se requerirá la prueba de compra para iniciar el proceso de reclamo. Proporcione al asesor su dirección de envío completa. (No números de apartados postales, por favor.)

Cuando usted reciba la batidora con base de reemplazo, use la caja y los materiales de empaque para empaclar la batidora con base original. En la caja, incluya su nombre y domicilio en una hoja de papel junto con la copia del comprobante de compra (recibo de la caja registradora, recibo de pago de la tarjeta de crédito, etc.).

## Garantía de reemplazo sin dificultades - en Canadá

Confiamos tanto en que la calidad de nuestros productos cumple con las exigentes normas de KitchenAid® que, si la batidora con base presentara alguna falla durante el primer año de compra, KitchenAid Canada reemplazará su batidora con base por una idéntica o un reemplazo comparable. La unidad de reemplazo estará también cubierta por nuestra garantía limitada de un año. Sírvase seguir estas instrucciones para recibir este servicio de calidad.

Si su batidora con base presentara alguna falla durante el primer año de compra, llévela o envíela a cobro revertido a un Centro de servicio autorizado por KitchenAid. En la caja, incluya su nombre y domicilio de envío

completo en una hoja de papel junto con la copia del comprobante de compra (recibo de la caja registradora, recibo de pago de la tarjeta de crédito, etc.). Su batidora con base de reemplazo será devuelta con porte prepago y asegurado. Si no puede obtener un servicio satisfactorio de esta manera, llame a nuestro número gratuito del Centro de interacción del cliente al **1-800-807-6777**.

O bien escribanos a:  
Customer eXperience Centre  
KitchenAid Canada  
200 - 6750 Century Ave.  
Mississauga, ON L5N 0B7

## Cómo obtener servicio técnico después de que expire la garantía o cómo pedir accesorios y piezas de repuesto

---

### En los Estados Unidos y Puerto Rico:

Para obtener información acerca del servicio técnico o para pedir accesorios o piezas de repuesto, llame sin costo al **1-800-541-6390** o escriba a:

Customer Satisfaction Center,  
KitchenAid Portable Appliances,  
P.O. Box 218, St. Joseph, MI 49085-0218

### Fuera de los Estados Unidos y Puerto Rico:

Consulte a su distribuidor local de KitchenAid o a la tienda donde compró la batidora con base para obtener información sobre el servicio técnico.

### Para obtener información acerca del servicio en Canadá:

Llame sin costo al **1-800-807-6777**.

O bien escriba a:

Customer eXperience Centre  
KitchenAid Canada  
200 - 6750 Century Ave.  
Mississauga, ON L5N 0B7



® Registered trademark/™ Trademark/The shape of the mixer  
is a registered trademark of KitchenAid, U.S.A.

® Marque déposée/™ Marque de commerce/La forme du mélangeur  
est une marque déposée de KitchenAid, U.S.A.

® Marca registrada/™ Marca de comercio/La forma de la batidora  
es una marca registrada de KitchenAid, U.S.A.



FOR THE WAY IT'S MADE.®