



# 36 E Series Heavy Duty Open Element Top Range

Item: \_\_\_\_\_  
 Quantity: \_\_\_\_\_  
 Project: \_\_\_\_\_  
 Approval: \_\_\_\_\_  
 Date: \_\_\_\_\_

36 E Series Heavy Duty Open Element Top Range

## Models:

- 36ER33       36ES33

## Six Open Element Top Range



Model 36ER33

## Standard Features:

- Stainless steel front and sides
- Stainless steel front rail
- Chrome plated, 4 position removable rack guides w/oven rack
- Electro-mechanical heavy-duty oven thermostat
- Six tubular elements each controlled by three-heat switches
- 3" (76mm) high stainless steel vent raiser
- Heat resistant, cool to touch oven door handle
- 6" (152mm) adjustable chrome plated legs (NSF)
- One Year limited parts & labor (USA & Canada)

## Optional Features:

- Stainless steel main back (R&S models)
- Extra oven rack
- Swivel casters complete with front brakes (4)
- 6" (152mm) adjustable stainless steel legs
- Marine equipment- storm rails for pots, hand rails, oven door latch, drip tray stop and deck fasteners

NOTE: Ranges supplied with casters must be installed with an approved restraining device.

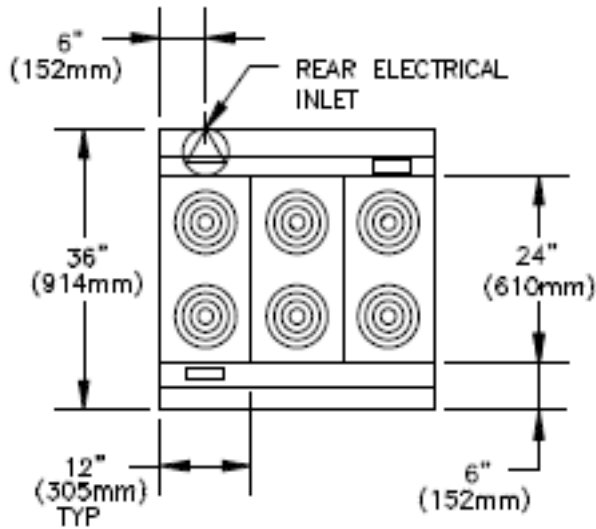
## Specifications:

Heavy-duty electric range, Model 36ER33, with 6 element open top. Topc contains six tubular elements, each controlled by 3-heat switch. Full size oven is controlled by a heavy-duty electromechanical thermostat. . Oven interior is 13.5" (343mm) high x 26.25" (667mm) wide x 29" (533mm) deep with removable four-position chrome plated rack guides and one oven rack, front and rear stainless steel grease troughs. Stainless steel front and sides. Circuit breakers or fuses provide electric circuit protection. Available with casters or for dais mount. Model 36ES33 has storage base in lieu of oven section.

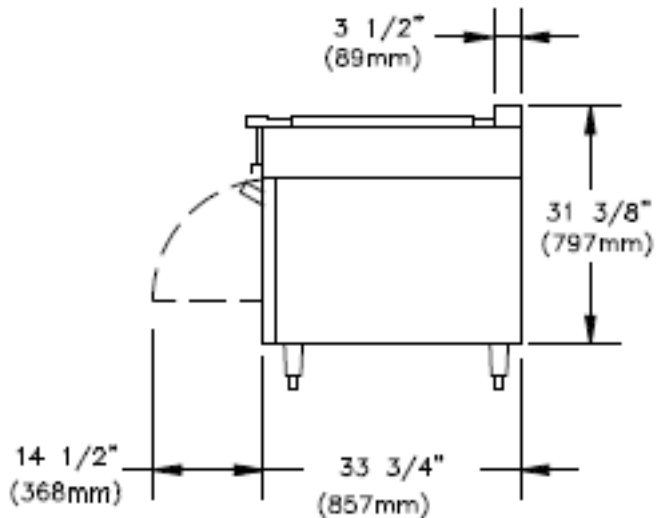
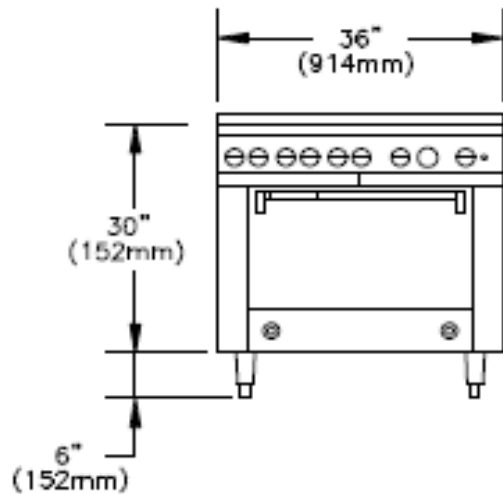


| MODEL  | TOTAL kW | 3-PHASE kW PER PHASE ALL VOLTAGES |     |     | NOMINAL AMPERES PER LINE |      |             |    |    |    |    |    |  |
|--------|----------|-----------------------------------|-----|-----|--------------------------|------|-------------|----|----|----|----|----|--|
|        |          |                                   |     |     | SINGLE PHASE             |      | THREE PHASE |    |    |    |    |    |  |
|        |          | X-Y                               | Y-Z | X-Z | 208V                     | 240V | X           | Y  | Z  | X  | Y  | Z  |  |
| 36ER33 | 19.1     | 6.5                               | 4.2 | 8.4 | 92                       | 81   | 62          | 45 | 54 | 55 | 40 | 47 |  |
| 36ES   | 12.6     | 4.2                               | 4.2 | 4.2 | 61                       | 53   | 35          | 35 | 35 | 31 | 31 | 31 |  |

| CLEARANCES          |                    |                     |                |
|---------------------|--------------------|---------------------|----------------|
| ENTRY               |                    | TO COMBUSTIBLE WALL |                |
| CRATED              | UNCRATED           | SIDES               | REAR*          |
| 41-1/4"<br>(1048mm) | 36-1/4"<br>(921mm) | 3"<br>(76mm)        | 1/2"<br>(13mm) |



Garland products are not approved or authorized for home or residential use, but are intended for commercial applications only. Garland will not provide service, warranty, maintenance or support of any kind other than in commercial applications.



Form# 36ER33 (01/20/14)