



36 E Series Heavy Duty Boil Section Top Range

Item: _____
 Quantity: _____
 Project: _____
 Approval: _____
 Date: _____

36 E Series Heavy Duty Boil Section Top Range

Models:

- 36ER35 36ES35

Four Boil Section Top Range



Model 36ER35

Standard Features:

- Stainless steel front and sides
- Stainless steel front rail
- Chrome plated, 4 position removable rack guides w/oven rack
- Electro-mechanical heavy-duty oven thermostat
- Two 18" (457mm) boiling plates, with two sections each, sections controlled by three-heat switches
- 3" (76mm) high stainless steel vent raiser
- Heat resistant, cool to touch oven door handle
- 6" (152mm) adjustable chrome plated legs (NSF)
- One Year limited parts & labor (USA & Canada)

Optional Features:

- Stainless steel main back (R&S models)
- Extra oven rack
- Set of (4) Polyurethane (non-marking) swivel casters with front brakes.
- 6" (152mm) adjustable stainless steel legs
- High voltage 460V
- Marine equipment - hand rails, oven door latch, drip tray stop and deck fasteners

NOTE: Ranges supplied with casters must be installed with an approved restraining device.

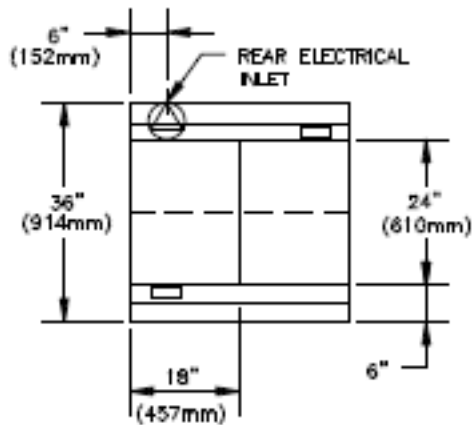
Specifications:

Heavy-duty electric range, Model 36ER35, with boiling plate top. Top consists of two 18" (457mm) x 24" (610mm) boiling plates with four heat zones, each controlled by a three-heat switch. Full size oven is controlled by a heavy-duty electromechanical thermostat. Oven interior is 13.5" (343mm) high x 26.25" (667mm) wide x 29" (533mm) deep with removable four-position chrome plated rack guides and one oven rack, front and rear stainless steel grease troughs. Stainless steel front and sides. Circuit breakers or fuses provide electric circuit protection. Available with casters or for dais mount. Model 36ES35 has storage base in lieu of oven section.



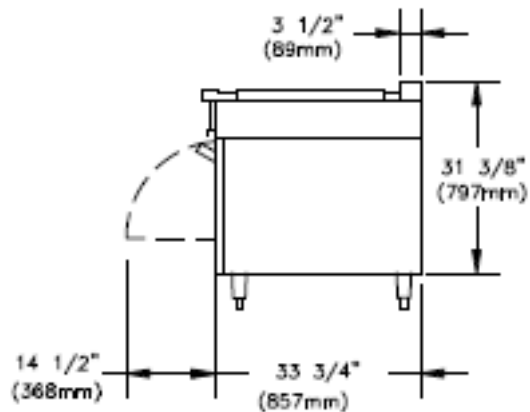
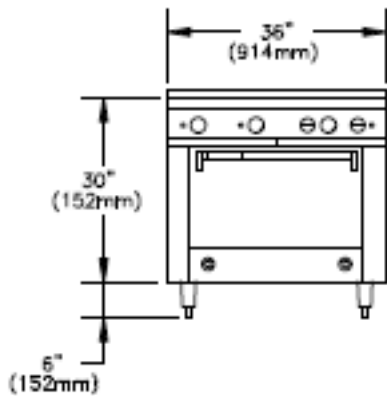
MODEL	TOTAL kW	3-PHASE kW PER PHASE ALL VOLTAGES			NOMINAL AMPERES PER LINE											
					SINGLE PHASE			THREE PHASE								
								208V			240V			460V		
X-Y	Y-Z	X-Z	208V	240V	460V	X	Y	Z	X	Y	Z	X	Y	Z		
36ER35	18.5	6.5	6	6	89	78	40	53	53	51	46	46	44	24	24	23
36ES	12	0	6	6	58	51	26	29	29	51	25	25	44	13	13	23

CLEARANCES			
ENTRY		TO COMBUSTIBLE WALL	
CRATED	UNCRTATED	SIDES	REAR*
41-1/4" (1048mm)	36-1/4" (921mm)	3" (76mm)	1/2" (13mm)



Shipping Cubic Feet 51; modular 20

Garland products are not approved or authorized for home or residential use, but are intended for commercial applications only. Garland will not provide service, warranty, maintenance or support of any kind other than in commercial applications.



Form# 36ER35(01/20/14)