



Infra-Red Salamander Broiler

Item: _____

Quantity: _____

Project: _____

Approval: _____

Date: _____

Infra-Red Salamander Broiler

Models:

BS-CX

BS-WX

BS-RX

BS-RX-60

BS-RX-72



Model BS-CX

Standard Features:

- Stainless steel front, sides, and top
- Single, 30,000 atmospheric infra-red burner designed for heavy broiling
- Available in Natural or Propane gas
- 5 position, positive lock, adjustable rack height
- Large capacity removable grease pan
- Designed to be installed on a counter, wall or range mounted on Cuisine and Performer Series ranges

- Broiling grid 28" (711mm) Wide x 13 1/2" (343mm) Deep
- Heavy-duty, spring assisted carriage is angle iron construction for long life and durability
- 1/2" NPT top gas inlet
- One Year limited parts and labor warranty (USA and Canada only)

Optional Features:

- Interconnection gas pipe for range mounting
- S/S bottom available for BS-RX Range mount models and BS-WX wall mount.

Specification:

Unit shall be a U.S. Range Infrared Salamander Broiler, Model _____. Single 30,000 BTU atmospheric infra-red burner, with 5 position adjustable rack. Stainless steel finish on front, sides, and top, available in natural or propane gas. Unit to be range, (BS-RX), counter, (BS-CX), or wall mounted, (BS-WX).



Garland Commercial Industries, LLC
 185 East South Street
 Freeland, PA 18224
 Phone: (570) 636-1000
 Fax: (570) 636-3903

Garland Commercial Ranges Ltd
 1177 Kamato Road,
 Mississauga, Ontario
 L4W 1X4 CANADA
 Phone: 905-624-0260
 Fax: 905-624-5669



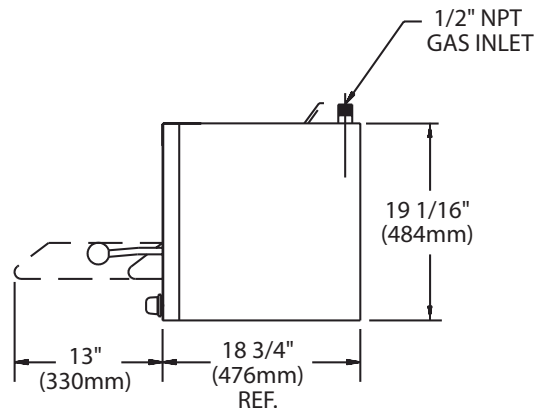
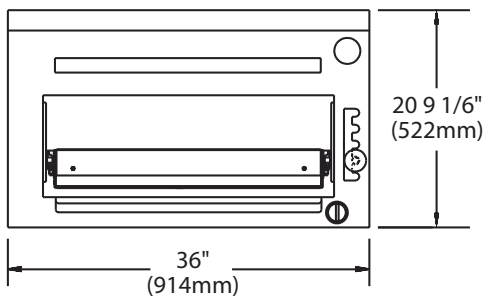
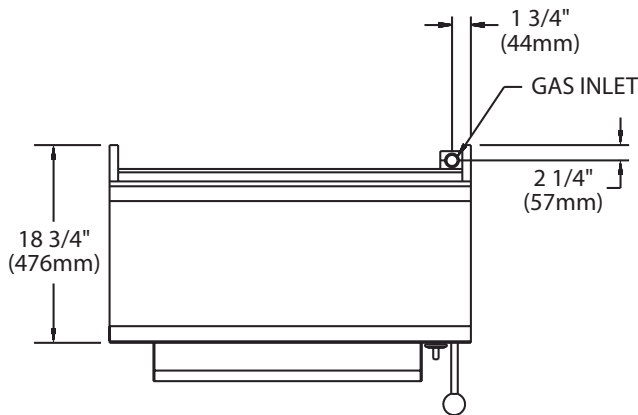
Model #	Description
BS-CX	36" wide Salamander Broiler for countertop use (with 4" (102mm) legs)
BS-WX	36" wide Salamander Broiler for wall mounting (with mounting brackets)
BS-RX	36" Salamander Broiler for range mounting (with backguard)
BS-RX-60	36" Salamander Broiler to mount on 60" range W/24" (610mm) High Shelf
BS-RX-72	36" Salamander Broiler to mount on 72" range W/36" (914mm) High Shelf

Many local codes exist and it is the responsibility of the owner and installer to comply with those codes.

Garland/U.S. Range products are not approved or authorized for home or residential use, but are intended for commercial applications only. Garland / U.S. Range will not provide service, warranty, maintenance or support of any kind other than in commercial applications.

Model #	Weight Lbs/Kg	Cu Ft
BS-RX	205/93	28
BS-CX	210/95	20
BS-WX	192/87	20
BS-RX-60	260/118	40
BS-RX-72	280/127	48

Manifold Operating Pressure	
Natural Gas	5.0" WC (12.5mbar)
Propane	11.0" WC (28mbar)



Form# BSX (06/07)