



# Cuisine Series Heavy Duty Range Match Frymate

Item: C836-FMD Quantity: \_\_\_\_\_

Project: \_\_\_\_\_

Approval: \_\_\_\_\_

Date: \_\_\_\_\_

Cuisine Series Heavy Duty Range Match Frymate

Models:

C836-FMD

Range Match Frymate



*Model C836-FMD  
Shown with optional solid work top*

### Standard Features:

- Stainless steel front rail, available in three positions 7-1/8" (181mm), 8" (203mm) and 8-1/2" (216mm)
- 6" (152mm) stainless steel stub back
- Stainless steel front and sides
- Stainless steel 12"x20"x2-1/2" stainless steel food pan
- 6" (152mm) adjustable legs
- 1-1/4" front gas manifold

### Optional Features:

- Stainless steel main back
- Solid work top in lieu of food pan
- Heat lamp for dump station, 115V/ 8 amps/500 watt
- 6" (152mm) stainless steel legs
- 6" (152mm) high polyurethane wheels, NOTE: must be supplied on units banked with C836-FMA systems with casters
- Swivel casters w/front brake

### Specifications:

Range match Frymate Model C836-FMD, 18" (457mm) wide with door. Storage base cabinet comes with spreader top, which has a 12" x 20" x 2-1/2" stainless steel food pan and wire rack screen. The pan fits into the cut top of the spreader. Solid work top available in lieu of the unit with food pan. Optional heat lamp available.



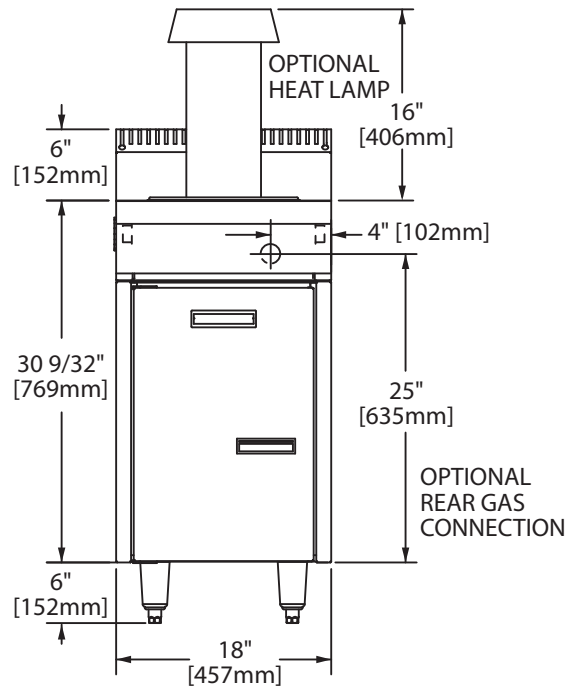
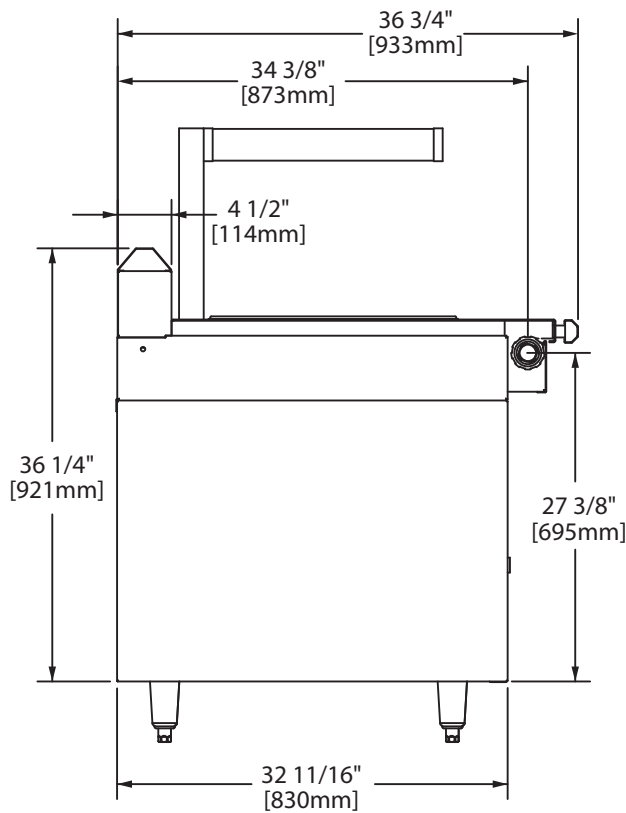
NOTE: Systems supplied with casters must be installed with an approved restraining device.

Garland Commercial Ranges Ltd.  
1177 Kamato Road,  
Mississauga, Ontario  
L4W 1X4 CANADA

General Inquires 1-905-624-0260  
USA Sales, Parts and Service 1-800-424-2411  
Canadian Sales 1-888-442-7526  
Canada or USA Parts/Service 1-800-427-6668



CLEARANCES				SHIPPING WEIGHT	
INSTALLATION		ENTRY		Cu Ft	WEIGHT
Sides	Rear	Crated	Uncrated		Lb/Kg
6" (152mm)	6" (152mm)	29-1/4" (743mm)	18-1/4" (464mm)	26	175/ 79 kg



Garland/U.S. Range products are not approved or authorized for home or residential use, but are intended for commercial applications only. Garland / U.S. Range will not provide service, warranty, maintenance or support of any kind other than in commercial applications.

Form# C836-FMD (08/17/11)