



*E22-36-48GMX Top View  
Shown with optional flange edge*

### Specification:

Garland's E22-36X Series Teppan Yaki Electric Griddles come in 7 models. All units have 11" (279mm) x 34" (864mm) heated cooking zone, stainless steel front panels and black powder coat epoxy sides. 208 or 240 Volts single or three phase, electronic thermostat. Standard with a flat straight griddle plate edge or optional 1" (25mm) flange.



*E22-36-48GMX Front View  
Shown with optional flange edge*

### Standard Features:

- Stainless steel front panels
- Black powder coat epoxy sides
- 11" (279mm) x 34" (834mm) heated cooking zone
- Seven sizes available
- 208 or 240 Volts single or 3 phase, specify which is required
- Electronic thermostat up to 500°F (260°C)
- 4" (102mm) stainless steel sanitary legs

### Optional Features:

- Stainless steel sides
- Stainless steel main back
- 1" (25mm) flange edge for easier drop in installation.

Total kW Loading		kW Loading Per Phase						Nominal Amps Per Phase							
								Single Phase		Three Phase					
240V	208V	240V			208V			240V	208V	240V			208V		
		X-Y	Y-Z	X-Z	X-Y	Y-Z	X-Z			X	Y	Z	X	Y	Z
6.7	6.7	3.35	---	3.35	3.35	---	3.35	27.92	32.21	24.22	13.96	13.96	27.95	16.11	16.11

Garland Commercial Industries, Inc.  
185 East South Street  
Freeland, Pennsylvania 18224  
Phone: (570) 636-1000  
Fax: (570) 636-3903

Garland Commercial Ranges Ltd  
1177 Kamato Road, Mississauga, Ontario  
L4W 1X4 CANADA  
Phone: 905-624-0260  
Fax: 905-624-5669

Enodis UK LTD  
Swallowfield Way, Hayes, Middlesex  
UB3 1DQ ENGLAND  
Telephone: 081-561-0433  
Fax: 081-848-0041



Item #: \_\_\_\_\_

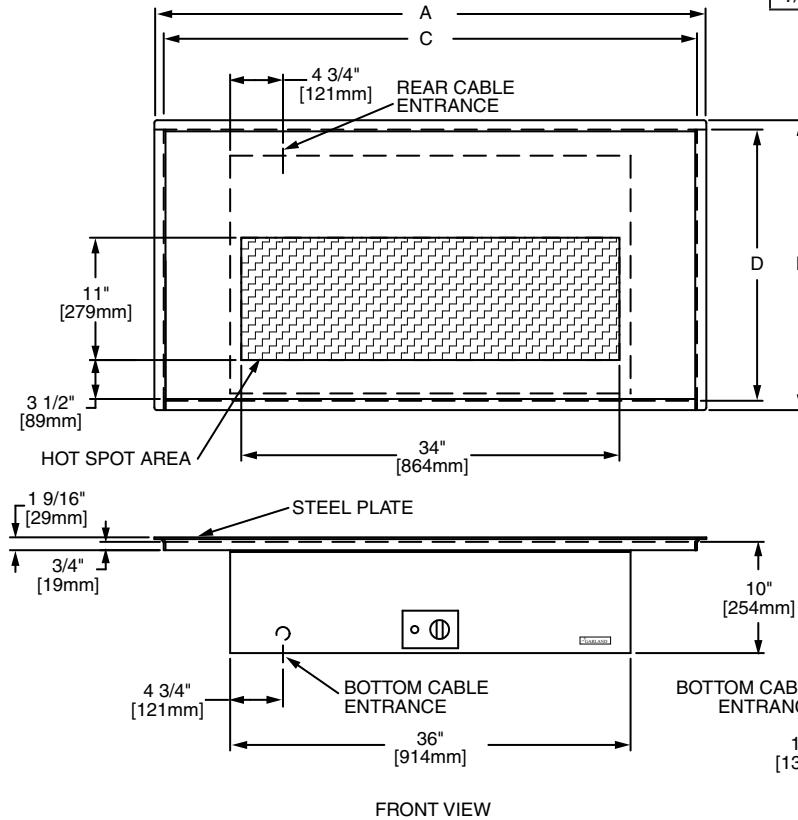
Model: E22-36GMX Series

Product Name: Teppan Yaki Electric Griddle

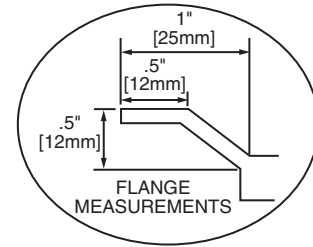
Model	Griddle Size With Flange		Griddle Size Less Flange	
	Width (A)	Depth (B)	Width (C)	Depth (D)
E22-36-36GMX	37.625" (957mm)	26.563" (675mm)	35.833" (910mm)	24.271" (616mm)
E22-36-45GMX	46.938" (1192mm)	28.25" (718mm)	45.146" (1146mm)	26.958" (685mm)
E22-36-48GMX	49.625" (1260mm)	26.563" (675mm)	47.833" (1215mm)	24.271" (616mm)
E22-36-56GMX	58.188" (1478mm)	28.25" (718mm)	56.396" (1432mm)	26.958" (685mm)
E22-36-60GMX	61.625" (1565mm)	26.563" (675mm)	59.833" (1520mm)	24.271" (616mm)
E22-36-68GMX	69.5" (1765mm)	28.25" (718mm)	67.708" (1720mm)	26.958" (685mm)
E22-36-72GMX	73.625" (1870mm)	26.563" (675mm)	71.833" (1824mm)	24.271" (616mm)

The E22-36-36GMX is for installation in non-combustible locations only. All others should be installed with the adjacent minimum clearances from combustible material.

Body Side Minimum Installation Clearances		
Left & Right Sides	Rear	Type of Floor Base
1/2" (12.5mm)	1/2" (12.5mm)	Combustible



Garland products are not approved or Authorized for home or residential use, but are intended for commercial applications only. Garland will not provide service, warranty, maintenance or support of any kind other than in commercial applications.



**SUGGESTED MOUNTINGS (Not to Scale)**

<p>METAL EXPANSION STRIP BY OTHERS</p> <p>GRILL BY GARLAND</p> <p>MARBLE / SIMILAR NON-COMBUSTIBLE MATERIAL MUST BE 3" [76mm] SIDES &amp; BACK</p> <p>TABLE TOP MOUNTING WITH NON-FLANGE EDGE 36" WIDE MODEL (E22-36-36GMX)</p>	<p>METAL EXPANSION STRIP BY OTHERS</p> <p>WOODEN TABLE BY OTHERS</p> <p>GRILL BY GARLAND</p> <p>TABLE TOP MOUNTING NON-FLANGED EDGE 45" TO 72" MODELS MINIMUM CLEARANCE TO COMBUSTIBLE CONSTRUCTION 1" [25mm] SIDES AND BACK</p>	<p>EXPANSION STRIP SUPPLIED BY OTHERS NON-COMBUSTIBLE i.e. MARBLE OR SIMILAR</p> <p>GRILL WITH FLANGE</p> <p>TABLE TOP WOOD ect.</p> <p>TABLE TOP MOUNTING WITH FLANGED EDGE OPTION</p>
---	--	---

Continuous product improvement is a Garland policy. Specifications and design are subject to change without notice.