



Master Electric Production Griddle

Item: _____
 Quantity: _____
 Project: _____
 Approval: _____
 Date: _____

Master Electric Production Griddle

Models:

- ECG-36R ECG-48R ECG-60R ECG-72R



Model ECG-48R
(Shown on optional stand)

NOTE: Griddles supplied with casters must be installed with an approved restraining device.

Standard Features:

- Full-width front rail
- Rear grease trough with bottom drawer

- Three (3) flat bar heating elements, (4.3 kW total), per 12" (305mm) of griddle width
- 208 or 240 volt models
- Electric main on/off power switch w/indicator light (green)
- On/off switch for each thermostat
- Electronic thermostat, (150°F/66°C - 450°F/232°C), for each 12" (305mm) heat zone
- "Heat-On" indicator light (amber)
- Stainless Steel sides
- Stainless steel front panel
- Stainless steel backguard
- Stainless steel grease trough
- Stainless steel side griddle splashguards
- Stainless steel 6" (152mm) deep, grease drawers with integral grease baffles. Capacity 1.4 gal/6 L.
- 6" (152mm) stainless steel adjustable legs
- Nickel-plated thermostat guards
- Eight-inch high backsplash

- Contoured grease chute opening
- 6' (1829mm) cord and plug standard on 36" - 48" 3-phase models

Optional Features

- Export voltages, (220/240V/50Hz), available upon request, direct connection to junction box is required. No cord and plug are included, no charge
- 10-1/2" (266mm) deep grease drawers, no charge (stand models only). 1.4 gal/5.25 L
- Protective shield for controls
- All stainless steel open stand, 30.292" (769mm) high with bottom shelf on adjustable legs or casters

Specifications:

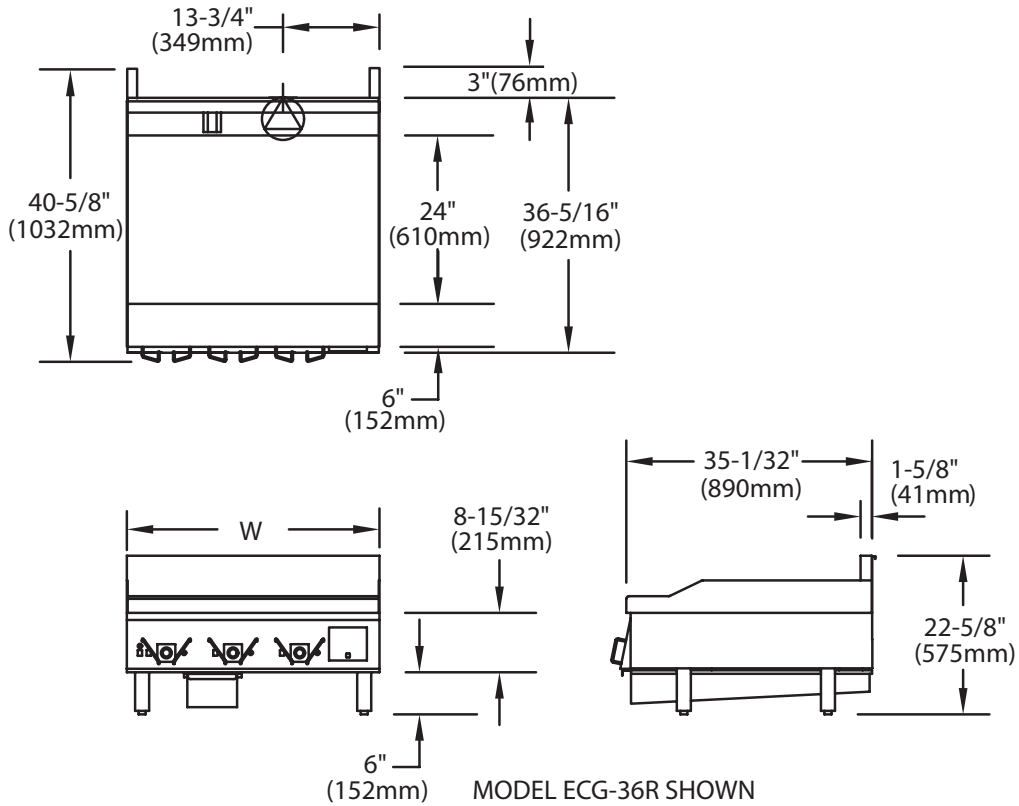
Heavy-duty electric griddles, available in four sizes, 36", 48", 60" & 72" wide. High performance, volume production with even, consistent, controlled temperatures One-inch (25mm) thick griddle plate. Electronic thermostat with embedded sensor and three efficient flat bar heating elements per 12" (305mm) of griddle width. All stainless steel exterior. Full-width front rail, high capacity, sloped bottom grease drawers. 6" (152mm) legs standard, or optional stand.



Garland Commercial Ranges Ltd.
 1177 Kamato Road,
 Mississauga, Ontario
 L4W 1X4 CANADA

General Inquiries 1-905-624-0260
 USA Sales, Parts and Service 1-800-424-2411
 Canadian Sales 1-888-442-7526
 Canada or USA Parts/Service 1-800-427-6668





Model	Width (W)	Voltage	Total kW Load	Load Per Phase			Amps Per Phase			Amps 1 phase	Shipping Wt.
				X-Y	X-Z	Y-Z	X	Y	Z		
ECG-36R	36" (914mm)	208.0	12.90	4.30	4.30	4.30	35.8	35.8	35.8	62.0	400 lbs. (181 kg)
		240.0	12.90	4.30	4.30	4.30	31.0	31.0	31.0	53.8	
ECG-48R	48" (1219mm)	208.0	17.20	5.60	6.00	5.60	48.3	46.6	48.3	82.7	500 lbs. (227 kg)
		240.0	17.20	5.60	6.00	5.60	41.9	40.4	41.9	71.7	
ECG-60R	60" (1524mm)	208.0	21.50	6.90	7.30	7.30	59.1	59.1	60.8	103.4	600 lbs. (277 kg)
		240.0	21.50	6.90	7.30	7.30	51.2	51.2	52.7	89.6	
ECG-72R	72" (1929mm)	208.0	25.80	8.60	8.60	8.60	71.6	71.6	71.6	124.0	700 lbs. (318 kg)
		240.0	25.89	8.60	8.60	8.60	62.1	62.1	62.1	107.5	

CLEARANCES	
Installation	
Sides	Back
6" (152mm)	6" (152mm)
Entry	
Crated	Uncrated
40" (1016mm)	38" (965mm)

Flat blade NEMA plugs available:



NEMA 15-50P

ECG-36R 208V, 3ph
ECG-36R 240V, 3ph



NEMA 15-60P

ECG-48R
208/240V, 3ph

Form# ECG (11/13/12)