



# Designer Series Electric Hot Plate

Item: \_\_\_\_\_

Quantity: \_\_\_\_\_

Project: \_\_\_\_\_

Approval: \_\_\_\_\_

Date: \_\_\_\_\_

Designer Series Electric Hot Plate

Models:

ED-15THSE



*Model ED-15THSE*

Standard Features:

- Stainless steel front and sides
- Two 7-1/2" (192 mm) diameter sealed elements
- Each element rated 2000 watts
- Each element controlled by a switch with six heat positions that automatically cycles down to a low heat when left unused
- Heat-On indicating lamps
- 4" (102mm) stainless steel legs
- One-year limited parts & labor warranty (USA & Canada only)

Optional Features:

- Stainless steel back and bottom

Note : Stand is available see form # CS24/CSD

Specifications:

Dependable 7-1/2" (192 mm) diameter sealed solid element hot plate and recessed top ensure quicker clean-ups. Each plate element is controlled by a switch with six heat positions. Elements are protected with a high limit which automatically reduces power to prevent over heating.



Garland Commercial Ranges Ltd.  
1177 Kamato Road,  
Mississauga, Ontario  
L4W 1X4 CANADA

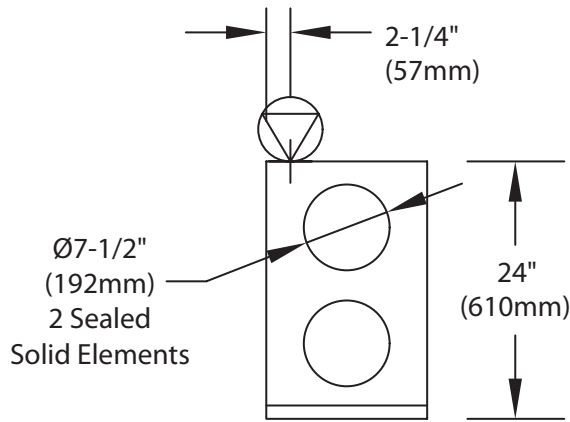
General Inquires 1-905-624-0260  
USA Sales, Parts and Service 1-800-424-2411  
Canadian Sales 1-888-442-7526  
Canada or USA Parts/Service 1-800-427-6668



Total kW Load		kW Load Per Phase						Nominal Amperes Per Line							
								Single Phase		3-Phase					
208V	240V	208V			240V			208	240	208			240		
		X-Y	Y-Z	X-Z	X-Y	Y-Z	X-Z			X	Y	Z	X	Y	Z
4.0	4.0		2.0	2.0		2.0	2.0	19.2	16.7	9.5	9.5	16.7	8.3	8.3	14.4

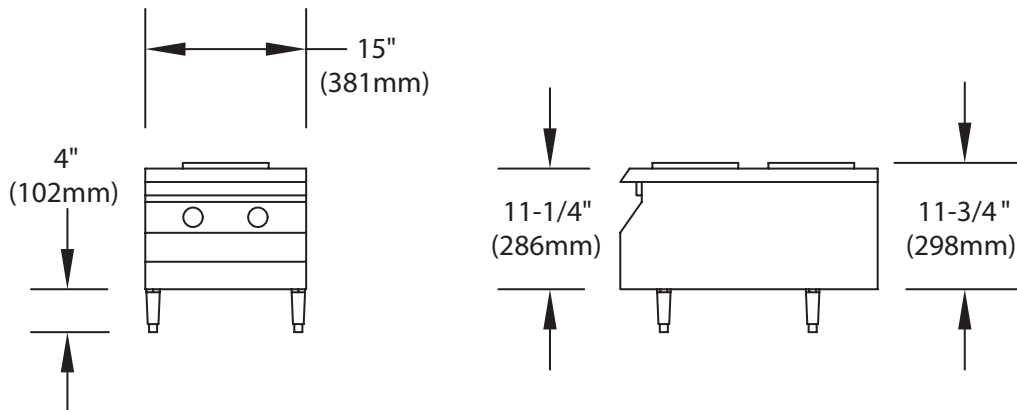
**FOR VOLTAGE OPTIONS OUTSIDE NORTH AMERICA, PLEASE CONTACT THE FACTORY**

Overall Dimensions			Clearances				Cu. Ft.	Shipping Weight
			Installation		Entry			
H	W	D	Sides	Rear	Crated	Uncrated		
11-1/4" (286mm)	15" (381mm)	24" (610mm)	1-1/2" (38mm)	1-1/2" (38mm)	18-1/2" (470mm)	15" (381mm)	5	50lbs. (23kg)



Garland products are not approved or authorized for home or residential use, but are intended for commercial applications only. Garland will not provide service, warranty, maintenance or support of any kind other than in commercial applications.

NOTE: - All 208V 1 phase 60 hZ models will be equipped with a 4-ft (1219mm) power cord and NEMA L6-30P plug (HUBBELL HBL2621 or equivalent)



Form# ED-15THSE (09/19/13)