



G Series Gas Range Match Broiler

Item: _____
 Quantity: _____
 Project: _____
 Approval: _____
 Date: _____

G Series Gas Range Match Broiler

Models:

- G18-BRL G24-BRL G30-BRL G36-BRL G48-BRL



G24-BRL
With 4" Legs For Counter Mount

Standard Features:

- Stainless steel front, sides, front rail, grease hopper and side splash
- Stainless steel low profile backguard
- Counter mount or range matched to Garland G series ranges (when combined with optional stand or cabinet base)
- Exclusive lift off hopper top
- Removable broiling grates in 6" (152mm) wide sections.
- Dual-sided cast iron broiler racks, with 1/2" (13mm) rounded bar (broad) and diamond (fine) patterns on opposite sides, in of 6" (152mm) wide sections.
- Heavy duty ceramic briquettes
- 4" (102mm) sanitary legs for counter mount installations

- Simple set Hi-Lo valves
- Piezo Spark Pilot Ignition
- Gas Pressure Regulator
- 3/4" N.P.T. rear gas connection
- 15,000 BTU cast iron burners for every 6" (152mm) of broiler width.
- Natural or Propane gas, specify when ordering

Optional Features:

- Diamond branding rack in lieu of standard rack
- Stainless steel splatter guard 18" (457mm) to 48" (1219mm), specify width
- Nickel plated wire type holding shelves which attach to splatter guards, available in 18" (457mm), 24" (610 mm) & 36" (914mm)

Note: Stands and floor bases available see form BRL-STD

Specification:

Range match Broilers in available five widths: 18" (457mm), 24" (610mm), 30" (762mm), and 36" (914mm) and 48" (1219mm) , designed to match G series ranges. Standard finish stainless steel front, sides and backguard. Exclusive lift off stainless steel grease hopper. Cast iron broiler racks with 1/2" (13mm) round bar broad banding on one side and fine diamond branding pattern on reverse in 6" (152mm) wide sections. In lieu of standard broiler racks dual diamond pattern steel racks are available. Simple set Hi-Lo valve sare located away from heat and protected. 15,000 BTU cast iron burners for every 6" (152mm) of broiling space, natural or propane gas. Optional cabinet BRL-CAB or open frame stand BRL-STD see specification form BRL-STD.



Garland Commercial Industries, LLC
 185 East South Street
 Freeland, PA 18224
 Phone: (570) 636-1000
 Fax: (570) 636-3903

Garland Commercial Ranges Ltd
 1177 Kamato Road,
 Mississauga, Ontario
 L4W 1X4 CANADA
 Phone: 905-624-0260
 Fax: 905-624-5669

Enodis UK LTD
 5E Langley Business Centre,
 Station Road
 Langley SL3 8DS Great Britain
 Phone: 01753 485900
 Fax: 01753 485901

Enodis®

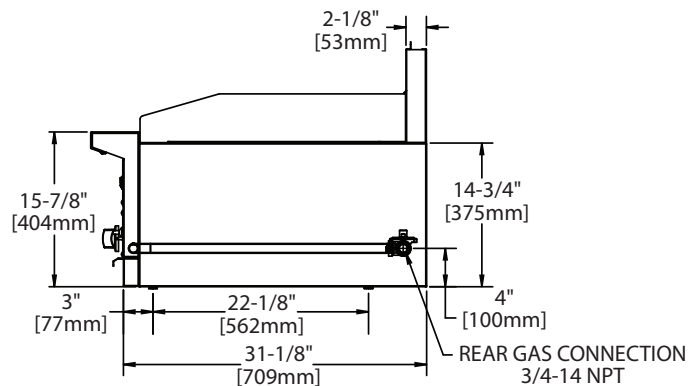
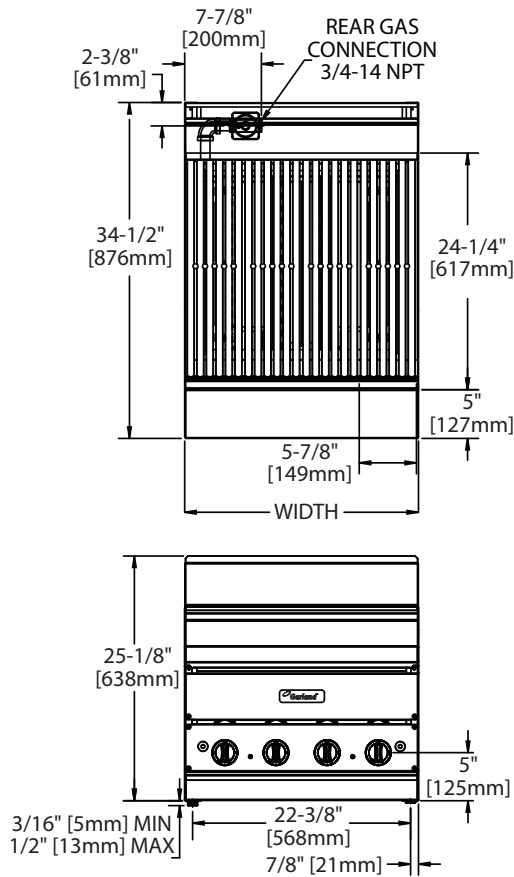
MODEL	Exterior Dimensions			Total Input Rating (Natural Gas)		Shipping	
	Height w/O Legs	Width	Depth	BTU	kW	Cu Ft	lb/Kg
G18-BRL	25-1/8" (638mm)	18" (257mm)	34-1/2" (876mm)	45,000	13.2	21	190/86
G24-BRL	25-1/8" (638mm)	24" (610mm)	34-1/2" (876mm)	60,000	17.6	21	240/109
G30-BRL	25-1/8" (638mm)	30" (762mm)	34-1/2" (876mm)	75,000	22	29.5	290/131
G36-BRL	25-1/8" (638mm)	36" (914mm)	34-1/2" (876mm)	90,000	26.4	29.5	340/154
G48-BRL	25-1/8" (638mm)	48" (1219mm)	34-1/2" (876mm)	120,000	35.2	37	375/170

MODEL	Installation Clearances		Manifold Operating Pressure "wc/mbar		Gas Inlet
	Sides	Rear	Natural	Propane	
All Models	6" (152mm)	6" (152mm)	4.5/11	10/24.9	3/4"

NOTE: Installation clearance reductions are applicable only where local codes permit.

Garland products are not approved or authorized for home or residential use, but are intended for commercial applications only. Garland will not provide service, warranty, maintenance or support of any kind other than in commercial applications.

When ordering specify gas type, natural or propane and elevation if over 2,000 ft (610m).



Form# G-BRL (10/16/08)

Garland Commercial Industries, LLC
185 East South Street
Freeland, PA 18224
Phone: (570) 636-1000
Fax: (570) 636-3903

Garland Commercial Ranges Ltd
1177 Kamato Road,
Mississauga, Ontario
L4W 1X4 CANADA
Phone: 905-624-0260
Fax: 905-624-5669

Enodis UK LTD
5E Langley Business Centre,
Station Road
Langley SL3 8DS Great Britain
Phone: 01753 485900
Fax: 01753 485901