



GF16-FR Series Range-Match Fryers

Item: _____
 Quantity: _____
 Project: _____
 Approval: _____
 Date: _____

GF16-FR Series Range-Match Fryers

Models:

- GF16-FR GF16-FRST GF16-FRST-HL



MODEL GF16-FR

Standard Features:

- Stainless steel front & sides
- Low profile stainless steel back guard 9-3/8" (28mm) high, matches G or GF series ranges and broilers with low profile backguards
- Deep stainless steel front rail matching G or GF series ranges & broilers
- Stainless steel frypot
- Twin baskets
- 6" (152mm) chrome legs with adjustable stainless steel inserts
- Open pot design for easy cleaning
- Deep cold zone, keeping contaminants out of cooking area
- Centre line thermostat accurate to 1°
- 100% safety system
- Multiple orifice burners, 110,000 BTU (32.2 kW)
- Combination gas control & regulator valve

- Natural or propane gas, specify

Optional Features:

- Stainless steel fryer cover
- Large single fryer basket in lieu of twin baskets, specify
- Non-leveling swivel casters (4) w/ front brakes
- Stainless steel flanged feet or deck fasteners (4)
- 15-11/16" (398 mm) wide Range Match Fry Station models

GF16-FRST: Solid work top, 12" x 20" cut out for cafeteria pan in lieu of sold top available, specify

GF-FRST-HL: Cut out top, stainless steel 12" x 20" x 2-1/2" (deep) cafeteria pan & electric heat lamp, specify voltage

NOTE: Fryers supplied with casters must be installed with an approved restraining device.

Specification:

Medium duty range match fryer, model FR16-FR, 110,000 BTU (32.2 kW) multiple orifice Starfire burners, with centre line thermostat accurate to 1°. Natural or propane gas. 30 lb (15 litre) to 40 lb (20 litre) capacity stainless steel open design frypot. 15-11/16" (398mm) wide; stainless steel front, door, cabinet, and backguard. Matches G and GF series ranges and broilers with low profile backguards. 12" (305mm) x 15" (381mm) frying area with large heat transfer area and deep cold zone. Matching 16" (406mm) wide fryer station with cabinet base: model GF16-FRST-HL with stainless steel 12" (305mm) x 20" (508mm) x 2-1/2" (61mm) cafeteria pan, cut out top and heat lamp, or model GF16-FRST with solid stainless steel work top.



MODEL GF16-FRST-HL

Garland Commercial Ranges Ltd
 1177 Kamato Road,
 Mississauga, Ontario
 L4W 1X4 CANADA
 Phone: 905-624-0260
 Fax: 905-624-5669

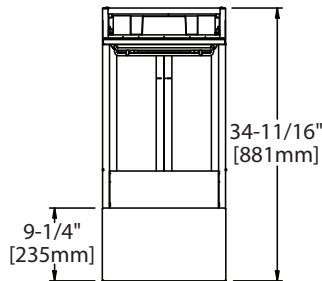


| MODEL | Exterior Dimensions | | | Installation Clearances | | Shipping | |
|--------------|----------------------|---------------------|----------------------|-------------------------|---------------|----------|--------|
| | Height | Width | Depth | Sides | Rear | Cu Ft | lb/Kg |
| GF16-FR | 45-1/4" (1149 mm) | 15-11/6" (398mm) | 34-11/16" (881mm) | 6" (152mm) | 6" (152mm) | 19.47 | 177/80 |
| GF16-FRST | 45-1/4" (1149 mm) | 15-11/6" (398mm) | 34-11/16" (881mm) | 0" | 0" | 19.47 | 105/48 |
| GF16-FRST-HL | 51-3/4" (1314 mm) | 15-11/6" (398mm) | 34-11/16" (881mm) | 0" | 0" | 19.47 | 130/49 |

| MODEL | Total Input Rating (Natural & Propane Gas) | | Manifold Operating Pressure "WC/mbar | | Gas Inlet (NPT) |
|---------|---|------|---|---------|--------------------|
| | BTU | kW | Natural | Propane | |
| GF16-FR | 110,000 | 32.2 | 4/10 | 9/22 | 3/4" |

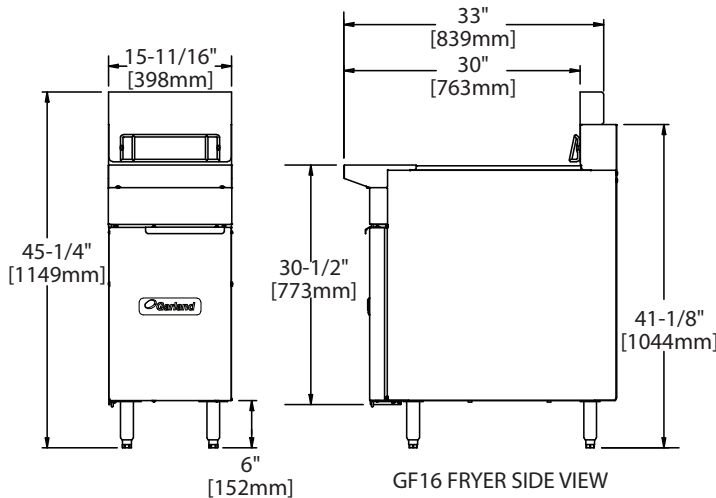
| GF16-FRST-HL - Heat Lamp Voltage And Amperage Options | | | |
|---|----------------|----------------|----------------|
| Voltage / Amperage | 120V / 6.9 amp | 280V / 4.8 amp | 240V / 3.4 amp |

Note: 120 Volt models come with a NEMA 5-15P cord and plug

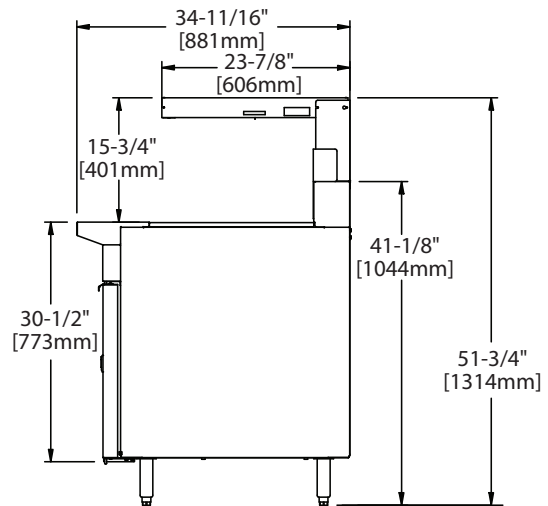


NOTE: Installation clearance reductions are applicable only where local codes permit. When ordering specify gas type, natural or propane and elevation if over 2,000 ft (610m). Data applies to North America only

Garland products are not approved or authorized for home or residential use, but are intended for commercial applications only. Garland will not provide service, warranty, maintenance or support of any kind other than in commercial applications.



GF16 FRYER SIDE VIEW



GF16 SPREADER WITH HEAT LAMP SIDE VIEW

Form# GF16-FR (08/05/10)