

# Heavy Duty Gas Step-Up Hot Plates

Project \_\_\_\_\_  
Item \_\_\_\_\_  
Quantity \_\_\_\_\_  
CSI Section 11400  
Approved \_\_\_\_\_  
Date \_\_\_\_\_

## Models

- UTOG24-SU4
- UTOG36-SU6
- UTOG48-SU8



Model UTOG24-SU4

## Standard Features

- SS front, sides and back
- 4" SS adjustable legs
- 3/4" NPT gas regulator with "T" gas manifold connection for straight through rear or flush-mount gas connections.
- SS front rail; 4" (102mm) deep overall with 3 1/2" (89mm) top work surface
- SS large capacity crumb tray
- Split ergonomic grates which are easy to handle and clean
- Pilots are protected from spills
- 30,000 BTU (Natural Gas) Performer Pro 2-piece octagonal gas burners
- Burners are controlled with individual adjustable valve
- Models are available with 2, 4, 6, and 8 open-top burners

## Options & Accessories

- Stainless steel skirt for dias/counter surface mounting. The stainless steel skirt will reduce overall unit height by 1 3/4" (44.45mm).
- Stainless stand with solid top and holding shelves, and adjustable feet
- Stainless stand with solid top and holding shelves, and casters, (locking front)
- Removable stainless steel attachment condiment rail with universal 1/9 or 1/3 food pan cut outs (pans supplied by others)

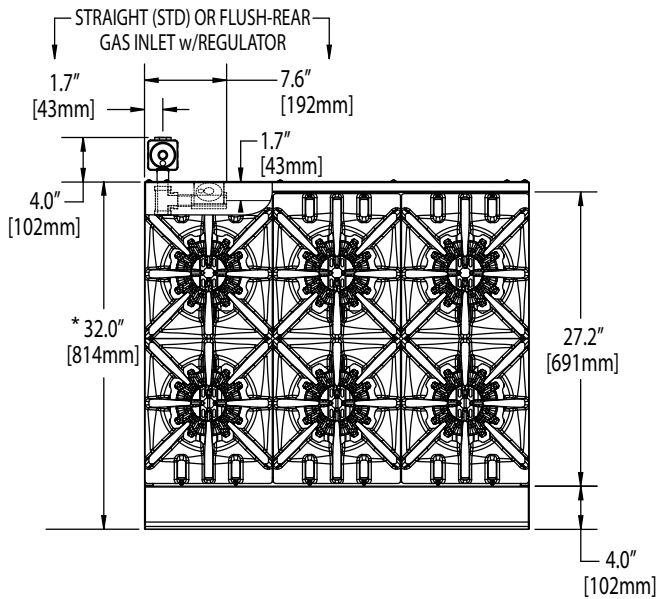
## Specifications

US Range designed these heavy duty counter hot plates for high-volume production, while offering the flexibility to match up with a full counter lineup. Models available with 2, 4, 6 and 8 open top burner combinations. Available in nominal imperial widths 24" (600mm) to 48"(1200mm) with 19-13/16" (503mm) height, and 32" (814mm) depth. Split ergonomic cast iron grates protect pilots from spill-overs, and are easy to handle and clean. Each individually valve-controlled burner is rated at 30,000 BTU/h (8.78 kW) natural gas or 26,000 BTU/h (7.61 kW) propane gas. Stainless steel front, sides and back with large capacity stainless steel crumb tray.



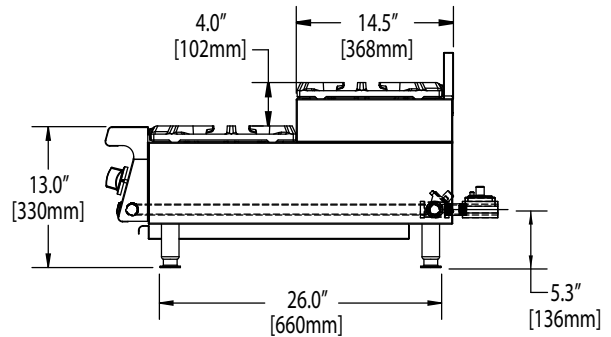
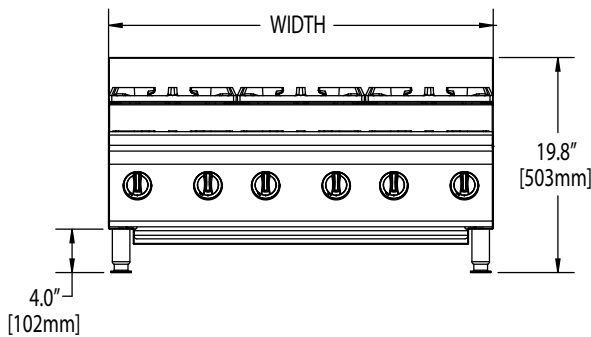
Heavy Duty Gas Step-Up Hot Plates

# Heavy Duty Gas Step-Up Hot Plates



For use with Natural or Propane gas only. Gas input ratings shown for installations up to 2000 ft., (610m), above sea level. Please specify altitudes over 2000 ft. and gas type when ordering.

Garland/U.S. Range products are not approved or authorized for home or residential use, but are intended for commercial applications only. Garland/U.S. Range will not provide service, warranty, maintenance or support of any kind other than in commercial applications.



| Model #    | Width In (mm) | Height (w/std legs) | Depth In (mm) | Total Input (BTU) |         | Shipping Information |       |
|------------|---------------|---------------------|---------------|-------------------|---------|----------------------|-------|
|            |               |                     |               | NAT               | PRO     | Lbs/Kg               | Cu Ft |
| UTOG24-SU4 | 23-5/8 (600)  | 19-13/16 (503)      | 32 (814)      | 120,000           | 104,000 | 135/61               | 8     |
| UTOG36-SU6 | 35-7/16 (900) |                     |               | 180,000           | 156,000 | 191/87               | 25    |
| UTOG48-SU8 | 47-1/4 (1200) |                     |               | 240,000           | 208,000 | 247--/112            | 33    |

| Supply Operating Pressure |      |         |      | Manifold Operating Pressure |      |         |      | Clearances                  |            |
|---------------------------|------|---------|------|-----------------------------|------|---------|------|-----------------------------|------------|
| Natural Gas               |      | Propane |      | Natural Gas                 |      | Propane |      | Installation To Combustible |            |
| "WC                       | MBar | "WC     | Mbar | "WC                         | MBar | "WC     | Mbar | Sides                       | Rear       |
| 7                         | 17.5 | 11      | 27.5 | 4.5                         | 11   | 10      | 24.5 | 7" (178mm)                  | 6" (152mm) |

\* Please add 7" (178mm) in overall depth with attachment condiment rail option.

Welbilt reserves the right to make changes to the design or specifications without prior notice.

**Garland Commercial Ranges Ltd.**  
 1177 Kamato Road,  
 Mississauga, Ontario  
 L4W 1X4 CANADA

**General Inquires 1-905-624-0260**  
 USA Sales, Parts and Service 1-800-424-2411  
 Canadian Sales 1-888-442-7526  
 Canada or USA Parts/Service 1-800-427-6668

[www.garland-group.com](http://www.garland-group.com)  
 6975  
 12/18