



# Master Series Griddle Range Attachment

Item: \_\_\_\_\_  
 Quantity: \_\_\_\_\_  
 Project: \_\_\_\_\_  
 Approval: \_\_\_\_\_  
 Date: \_\_\_\_\_

Master Series Griddle Range Attachment

Models:

- M12S-8       M12T-8

## 12" Range Attachment With Thermostat Controlled Griddle



*Model M12S-8  
(Shown With M12-LPBG  
Low Profile Backguard)*

### Standard Features:

- Stainless steel front; black powder coat epoxy sides
- Stainless steel door
- 6" (152mm) chrome steel adjustable legs
- 22,000 BTU, (6.44 kW), "H" type burner
- 1" (25.5mm) thick Steel griddle plate
- 2-5/16" (59mm) high welded stainless steel splash guards, sides & back
- Clip on stainless steel backsplash
- Removable stainless steel grease drawer
- Thermostatic control with embedded capillary line sensors
- Aluminized steel under all cooking surfaces
- Storage base interior of aluminized steel

### Optional Features:

- Stainless side(s)
- Stainless steel main back

- Groove griddle option available
- Stainless steel common front rail up to 68" (1728mm) wide (two or more units in a battery)
- Gas regulator 3/4" or 1-1/4"
- Gas shut off valve; 3/4", 1" or 1-1/4" NPT
- Gas flex hose & quick disconnect (3/4", 1" or 1-1/4" NPT x 5') w/ restraining device, please specify
- End caps and cover (NC, specify)
- Swivel casters (4) w/front brakes
- Polyurethane non-marking swivel casters (4) w/front brakes
- 6" (152mm) stainless steel adjustable legs
- Set of 4 deck fasteners (stainless steel flanged feet)
- Dais base, (S model w/o legs)
- Storage base shelf of aluminized or stainless steel
- Stainless steel tubular high shelf, single or double deck
- Stainless steel backguard: 10" (354mm), 17" (432mm) or 33" (838mm) H

### Specifications:

The 1" (25mm) thick steel griddle plate is 12" W x 24-3/4" D (305mm x 629mm), bordered by side and rear continuous-welded stainless steel splash guards. Front mounted external stainless steel grease receptacle. Thermostatically controlled 22,000 BTU, (6.44 kW), "H" burner. Heavy gauge aluminized steel radiation baffle requires no fire brick, heats evenly, increases thermal efficiency. Natural or propane gas. Also available with modular top, Model M12T-7. **Free standing units only available with flanged feet deck fasteners to anchor unit.**



NOTE: Attachments supplied with casters must be installed with an approved restraining device.

Garland Commercial  
Industries, LLC  
185 East South Street  
Freeland, PA 18224  
Phone: (570) 636-1000  
Fax: (570) 636-3903

Garland Commercial Ranges Ltd  
1177 Kamato Road,  
Mississauga, Ontario  
L4W 1X4 CANADA  
Phone: 905-624-0260  
Fax: 905-624-5669



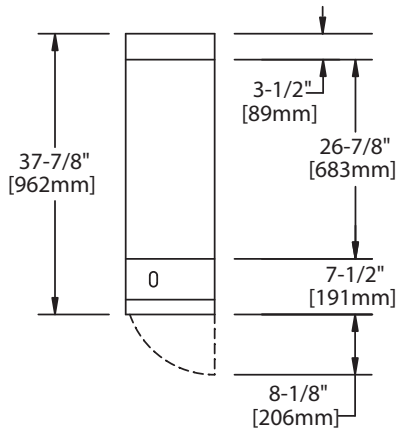
Product	Width	Depth	Height (w/ NSF Legs)	Height (w/o NSF Legs)	Shipping	
					Cu Ft	Wt: (Lb/Kg)
M12S-8	12" (306mm)	38" (965mm)	36-1/4" (924mm)	30-1/2" (777mm)	16	190/86
M12T-8	12" (306mm)	38" (965mm)	NA	9-1/2" (241mm)*	6	110/50

\*Modular top has 1-1/2" seating flanges.

INPUT SPECIFICATIONS	M12S-8	M12T-8
Input	22,000 BTU (6.44 kW)	22,000 BTU (6.44 kW)
Inlet/Manifold Size	1-1/4" NPT	1-1/4" NPT

S=Modular Top Attachment w /storage base, T=Modular Top w/o storage base

INSTALLATION NOTES		
Combustible Wall Clearances <sup>1</sup>	Entry Clearances	Manifold Operating Pressure
Sides: 11" (280mm) Back: 6" (152mm)	Crated: 22-1/4" (565mm) Uncrated: 12-1/4" (311mm)	Natural: 6" WC (15mbar) Propane: 10" WC (25mbar)



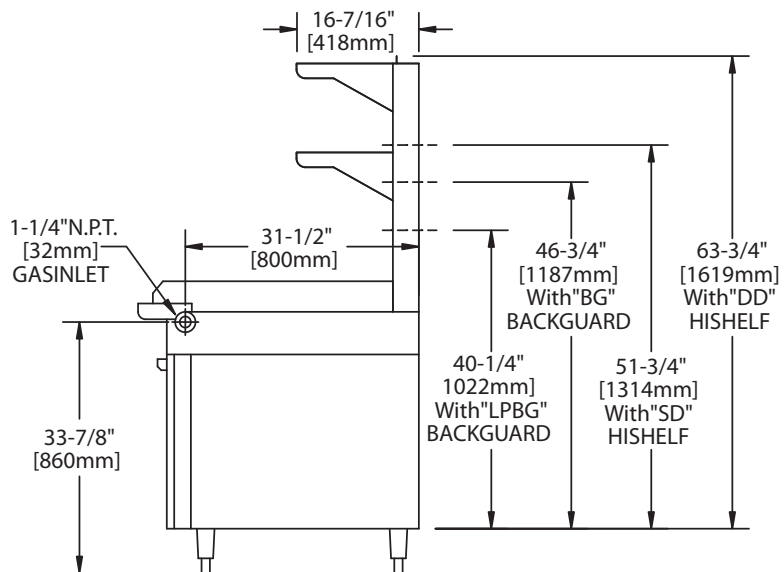
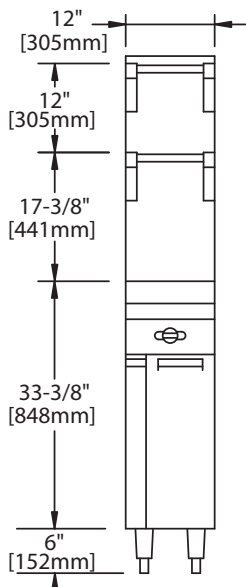
<sup>1</sup>NOTE: Installation clearance reductions are applicable only where local codes permit.

Data applies only to North America

Gas input ratings shown here are for installations up to 2,000 ft. (610m) above sea level. Specify altitudes over 2,000 ft.

Please specify gas type when ordering.

Garland/U.S. Range products are not approved or authorized for home or residential use, but are intended for commercial applications only. Garland / U.S. Range will not provide service, warranty, maintenance or support of any kind other than in commercial applications



Form# M12S-8 (09/02/09)