



Master Series Open Burner Range Attachment

Item: _____
 Quantity: _____
 Project: _____
 Approval: _____
 Date: _____

Master Open Burner Range Attachment

Models:

- M12S M12T

12" Range Attachment
With 2 Open Burners



Model M12S

Standard Features:

- Stainless steel front, black powder coat epoxy sides
- Stainless steel door (M12S Model)
- 6" (152mm) chrome steel adjustable legs (M12S Model)
- 7-1/2" (191mm) stainless steel front rail
- Two 24,000 BTU (7.03 kW), natural; 20,000 BTU (5.86 kW) propane, open top Starfire burners
- Removable ring grate over each burner
- Cast iron top grates
- Storage base interior of aluminized steel (M12S Model)

Optional Features:

- Stainless steel left, right or both sides
- Stainless steel common front rail up to 68" (1728mm) wide (two or more units in a battery)
- Stainless steel main back

- Storage base shelf of aluminized or stainless steel
- Stainless steel tubular high shelf, single or double deck
- Stainless steel backguard: 10" (354mm), 17" (432mm) or 33" (838mm) high
- Rear gas connection, 3/4" NPT
- Gas regulator 3/4" or 1-1/4"
- Gas shut off valve; 3/4", 1" or 1-1/4" NPT
- Gas flex hose & quick disconnect (3/4", 1" or 1-1/4" NPT x 5') w/restraining device, please specify
- End caps and cover (no charge)-must specify
- Swivel casters (4) w/front brakes
- Polyurethane non-marking swivel casters (4) w/front brakes
- 6" (152mm) stainless steel adjustable legs
- Set of 4 deck fasteners (stainless steel flanged feet)
- Dais base, (S model w/o legs)

Specifications:

Heavy-duty gas range attachment with storage base, Model M12S. Two (2) 24,000 BTU (7.03 kW) Starfire burners. Heavy-duty cast iron top grates/ring grates. 12" (305mm) wide x 38" (965mm) deep, including 7-1/2" (191mm) deep stainless steel front rail. Stainless steel front, including storage base door, with black powder coat epoxy sides. 48,000 BTU (14.06 kW) total. Natural or propane gas. Also available with modular top, suffix T. **Free standing units only available with flanged feet deck fasteners to anchor unit.**



NOTE: Attachments supplied with casters must be installed with an approved restraining device.

Garland Commercial Industries, LLC
 185 East South Street
 Freeland, PA 18224
 Phone: (570) 636-1000
 Fax: (570) 636-3903

Garland Commercial Ranges Ltd
 1177 Kamato Road,
 Mississauga, Ontario
 L4W 1X4 CANADA
 Phone: 905-624-0260
 Fax: 905-624-5669



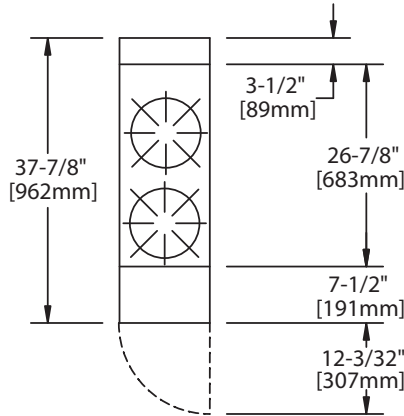
Product	Width:	Depth:	Height (w/ NSF Legs)	Height (w/o NSF Legs)
M12S	12" (305mm)	38" (965mm)	36-3/8" (924mm)	30-3/8"(772mm)
M12T	12" (305mm)	38" (965mm)	N/A	9-1/2"(241mm)*

*Modular top has 1-1/2" seating flanges.

INPUT-BTU/hr (Natural Gas)	M12S	M12T
2 Open Burners (24,000 BTU each)*	48,000 (14.06kW)	48,000 (14.06kW)

* Each Open Burner rated 20,000BTU (5.86kW) for Propane Gas, 40,000 BTU (11.72kW) total
S= Attachment w /storage base, T=Modular Top w/o storage base

INSTALLATION NOTES			Shipping Wt: (Lb/Kg) – Cu Ft
Combustible Wall Clearances ¹	Entry Clearances	Manifold Operating Pressure	
Sides: 11" (280mm) Back: 6" (152mm)	Crated: 22-1/4" (565mm) Uncrated: 12-1/4" (311mm)	Natural: 6" WC (15mbar) Propane: 10" WC (25mbar)	M12S 160/116 – 16 M12T 80/36 – 6



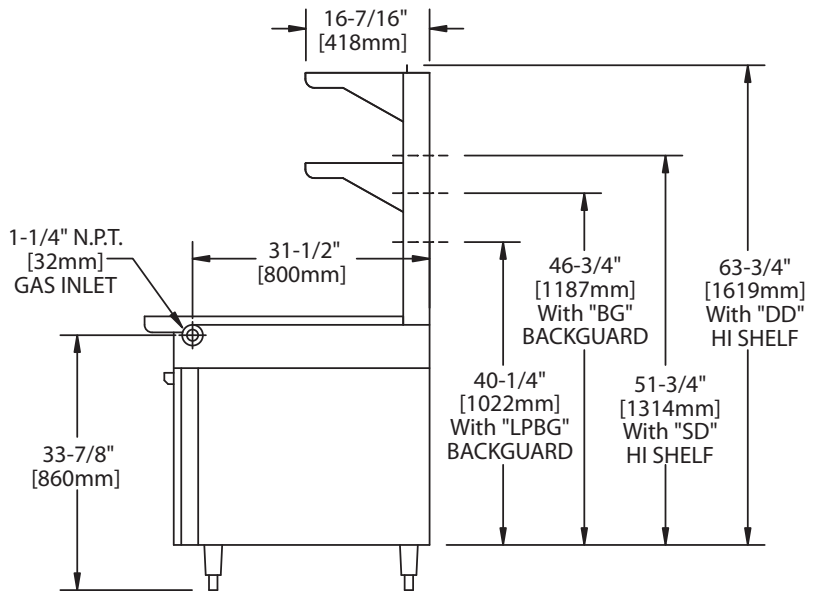
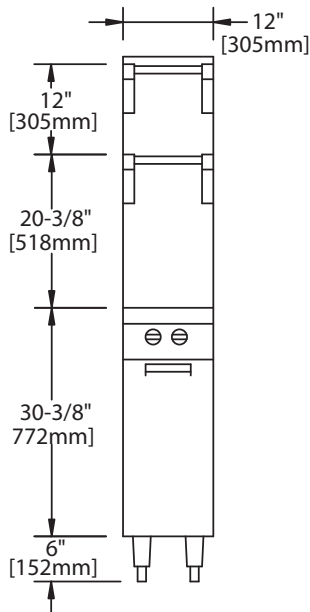
¹NOTE: Installation clearance reductions are applicable only where local codes permit.

Data applies only to North America

Gas input ratings shown here are for installations up to 2,000 ft. (610m) above sea level. Specify altitudes over 2,000 ft.

Please specify gas type when ordering.

Garland/U.S. Range products are not approved or authorized for home or residential use, but are intended for commercial applications only. Garland / U.S. Range will not provide service, warranty, maintenance or support of any kind other than in commercial applications



Form# M12 (09/02/09)