



Master Series Even Heat Hot Top Range Attachment

Item: _____
 Quantity: _____
 Project: _____
 Approval: _____
 Date: _____

Master Series Even Heat Hot Top Range Attachment

Models:

- M12S-6 M12T-6

12" Range Attachment
With Even Heat Hot Top



Model M12S-6

Standard Features:

- Stainless steel front; black powder coat epoxy sides
- Stainless steel door
- 6" (152mm) chrome steel adjustable legs
- 7-1/2" (191mm) stainless steel front rail
- Extra heavy even hear cast iron top
- Stainless steel burner box bottom
- Heavy gauge aluminized steel radiation baffle system
- 22,000 BTU (6.44 kW) "H" burner, controlled by hi-lo valve
- Storage base interior of aluminized steel

Optional Features:

- Stainless steel common front rail up to 68" (1728mm) wide (two or more units in a battery)
- Stainless steel side(s)

- Stainless steel main back
- End caps and cover (NC, specify)
- Gas regulator 3/4" or 1-1/4"
- Gas shut off valve; 3/4", 1" or 1-1/4" NPT
- Gas flex hose & quick disconnect (3/4", 1" or 1-1/4" NPT x 5') w/restraining device, please specify
- Swivel casters (4) with front brakes
- Polyurethane non-marking swivel casters (4) with front brakes
- 6" (152mm) stainless steel adjustable legs
- Set of 4 deck fasteners (stainless steel flanged feet)
- Dais base, (S model w/o legs)
- Storage base shelf of aluminized or stainless steel
- Stainless steel tubular high shelf, single or double deck
- Stainless steel backguard: 10" (354mm), 17" (432mm) or 33" (838mm) H

Specifications:

Heavy-duty gas range attachment with storage base, Model M12S-6. One (1) even-heat hot top. 12" (305mm) wide x 38" (965mm) deep, including 7-1/2" (191mm) deep stainless steel front rail. Stainless steel front, including storage base door, with black powder coat epoxy sides. 22,000 BTU (6.44 kW) total. Natural or propane gas. Also available with modular top, Model M12T-6. **Free standing units only available with flanged feet deck fasteners to anchor unit.**



NOTE: Attachments supplied with casters must be installed with an approved restraining device.

Garland Commercial Industries, LLC
 185 East South Street
 Freeland, PA 18224
 Phone: (570) 636-1000
 Fax: (570) 636-3903

Garland Commercial Ranges Ltd
 1177 Kamato Road,
 Mississauga, Ontario
 L4W 1X4 CANADA
 Phone: 905-624-0260
 Fax: 905-624-5669



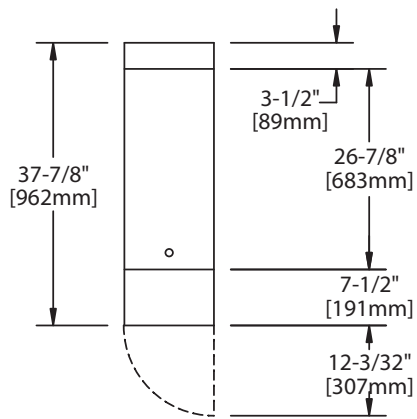
Product	Width	Depth	Height (w/ NSF Legs)	Height (w/o NSF Legs)
M12-6S	12" (305mm)	38" (965mm)	36-3/8" (924mm)	30-3/8" (772mm)
M12-6T	12" (305mm)	38" (965mm)	NA	9-1/2" (241mm)*

*Modular top has 1-1/2" seating flanges.

INPUT-BTU/hr (Natural Gas)	M12-6S	kW Equivalent	M12-6T	kW Equivalent
Top Burner	22,000	6.44	22,000	6.44

S=Modular Top Attachment w /storage base, T=Modular Top w/o storage base (optional stand available)

INSTALLATION NOTES			Shipping Wt: (Lb/Kg) - Cu Ft
Combustible Wall Clearances ¹	Entry Clearances	Manifold Operating Pressure	
Sides: 11" (280mm) Back: 6" (152mm)	Crated: 22 1/4" (572mm) Uncrated: 12-1/4" (331mm)	Natural: 6" WC (15mbar) Propane: 10" WC (25mbar)	M12-6S 190/86 - 16 M12-6T 110/5 - 6



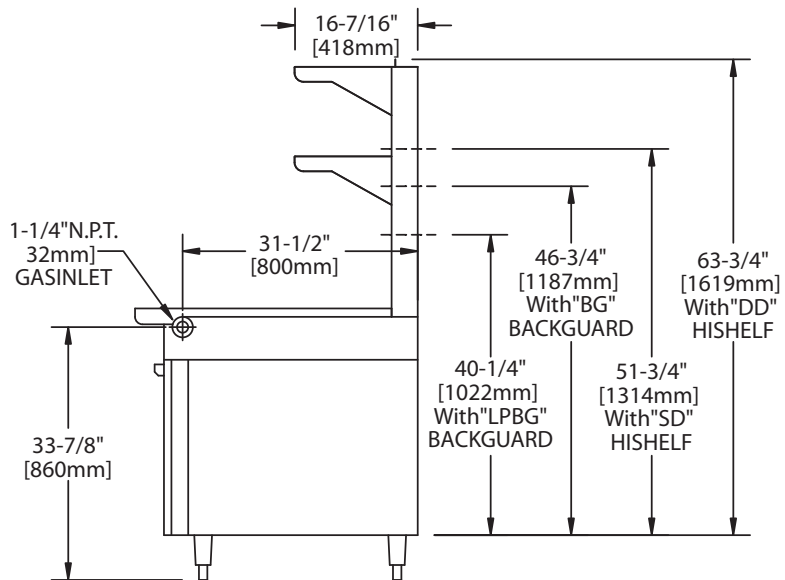
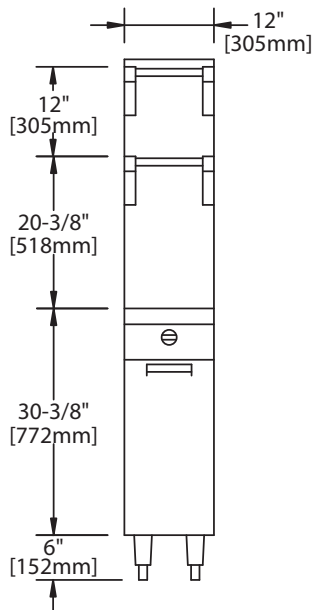
¹NOTE: Installation clearance reductions are applicable only where local codes permit.

Data applies only to North America

Gas input ratings shown here are for installations up to 2,000 ft. (610m) above sea level. Specify altitudes over 2,000 ft.

Please specify gas type when ordering.

Garland/U.S. Range products are not approved or authorized for home or residential use, but are intended for commercial applications only. Garland / U.S. Range will not provide service, warranty, maintenance or support of any kind other than in commercial applications



Form# M12-6 (09/02/09)