



Item: \_\_\_\_\_  
 Quantity: \_\_\_\_\_  
 Project: \_\_\_\_\_  
 Approval: \_\_\_\_\_  
 Date: \_\_\_\_\_

# Master Series Heavy Duty Range-Match Char-Broiler

### Models:

- |                                |                                |                                |
|--------------------------------|--------------------------------|--------------------------------|
| <input type="checkbox"/> M17B  | <input type="checkbox"/> M24B  | <input type="checkbox"/> M34B  |
| <input type="checkbox"/> M17BT | <input type="checkbox"/> M24BT | <input type="checkbox"/> M34BT |

### Range-Match Char-Broilers



**Model M34B**  
(valve control panel not as depicted)

### Standard Features:

- Stainless steel front doors
- Stainless steel front & black powder coat sides
- Stainless steel front rail
- 1-1/4" NPT front manifold
- Dual sided, cast iron broiler grates with 1/2" (13mm) rounded bar, (board brand) and diamond (fine) pattern on opposite sides
- 15,000 BTU (4.39 kW) burners,
- Piezo spark ignition with constant burning pilots
- Storage base interior of aluminized steel
- Modular top broilers (suffix "BT"), modular broiler is 14-1/2" (368mm) from broiler base to working height
- 6" (152mm) chromed steel adjustable legs

### Optional Features:

- Stainless steel left, right, or both sides; main back
- Rear gas connection; 3/4" NPT
- Gas regulator 3/4" or 1-1/4"
- Gas shut off valve; 3/4", 1" or 1-1/4" NPT
- Gas flex hose & quick disconnect (3/4", 1" or 1-1/4" NPT x 5') w/ restraining device, please specify
- End caps and cover (NC, specify)
- Stainless steel backguard: 10" (354mm), 17" (432mm) or 33" (838mm)
- Dual-sided, steel diamond, (fine) in lieu of cast iron grate
- Dais Base (storage base models)
- Swivel casters (4) w/front brakes
- Polyurethane non-marking swivel casters (4) w/front brakes
- 6" (152mm) stainless steel adjustable legs

### Specification:

Master Series Char-broiler with stainless steel front & black power coat sides. Broiling area consists of heavy duty rack sections which are easily moved for flat or tilt position broiling. Dual sided, cast iron broiler grates with 1/2" (13mm) rounded bar, (board brand) and diamond (fine) pattern on opposite side. 15,000 BTU (4.39 kW) burners controlled by individual Hi-Lo valves. Large capacity full length grease drawers. Heavy-weight, long lasting briquettes. Cabinet, 17" (432mm), 24" (610mm), or 34" (864mm), wide by 34" (869mm) deep, with two stainless steel full-sized hinged doors and front. Natural gas or propane. Available in modular models, suffix BT



NOTE: Broilers supplied with casters must be installed with an approved restraining device.

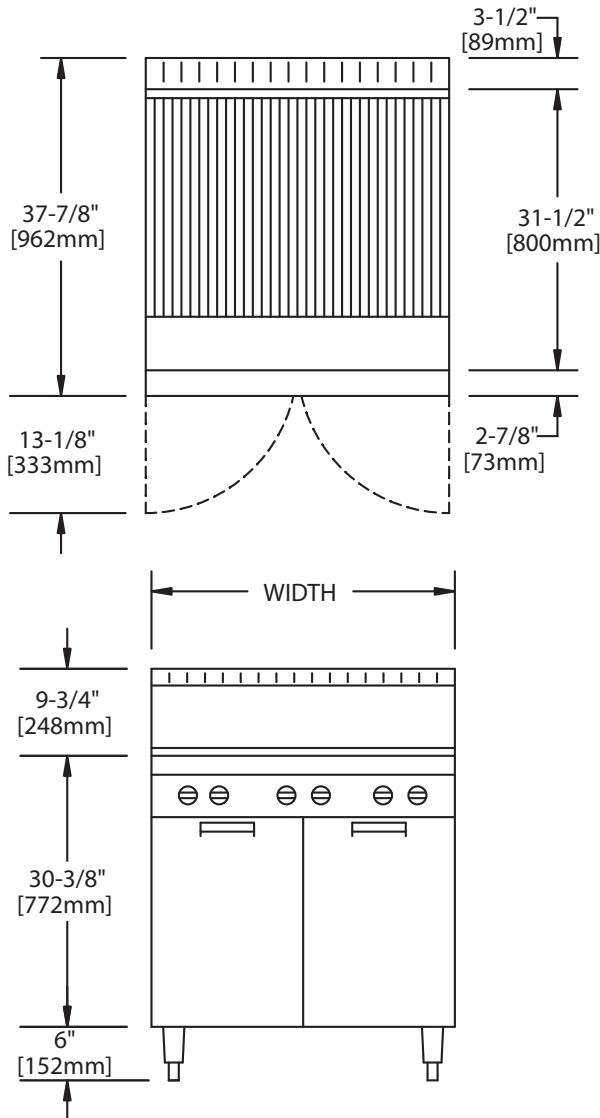
Garland Commercial Industries, LLC  
 185 East South Street  
 Freeland, PA 18224  
 Phone: (570) 636-1000  
 Fax: (570) 636-3903

Garland Commercial Ranges Ltd  
 1177 Kamato Road,  
 Mississauga, Ontario  
 L4W 1X4 CANADA  
 Phone: 905-624-0260  
 Fax: 905-624-5669



| INPUT SPECIFICATIONS       | M17B/BT              | M24B/BT              | M34B/BT              |
|----------------------------|----------------------|----------------------|----------------------|
| <b>Input</b>               | 45,000 BTU (13.2 kW) | 60,000 BTU (17.6 kW) | 90,000 BTU (26.4 kW) |
| <b>Inlet/Manifold Size</b> | 1-1/4" NPT           | 1-1/4" NPT           | 1-1/4" NPT           |

| INSTALLATION NOTES                              |  |   |
|---|--|---|
| <b>Combustible Wall Clearances <sup>1</sup></b> | <b>Entry Clearances</b>                            | <b>Operating Pressure</b>                           |
| Sides: 6" (152mm)<br>Back: 6" (152mm)           | Crated: 39-1/4" (997mm)<br>Uncrated: 34-1/4" (870) | Natural: 6" WC (15mbar)<br>Propane: 10" WC (25mbar) |



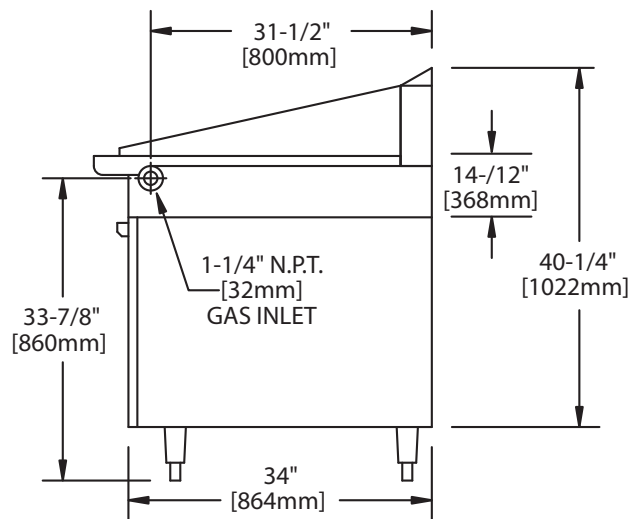
| PRODUCT      | Width:<br>In(mm) | Depth:<br>In(mm) | Shipping |                         |
|--------------|------------------|------------------|----------|-------------------------|
|              |                  |                  | Cu Ft    | Shipping Wt:<br>(Lb/Kg) |
| <b>M17B</b>  | 17(432)          | 38(965)          | 24       | 235/107                 |
| <b>M17BT</b> | 17(432)          | 38(965)          | 10       | 135/60                  |
| <b>M24B</b>  | 24(612)          | 38(965)          | 30       | 330/150                 |
| <b>M24BT</b> | 24(612)          | 38(965)          | 16       | 230/105                 |
| <b>M34B</b>  | 34(864)          | 38(965)          | 48       | 510/231                 |
| <b>M34BT</b> | 34(864)          | 38(965)          | 24       | 390/180                 |

<sup>1</sup>NOTE: Installation clearance reductions are applicable only where local codes permit.

Data applies only to North America

Gas input ratings shown here are for installations up to 2,000 ft. (610m) above seal level. Specify altitudes over 2,000 ft.

Please specify gas type when ordering.



Garland/U.S. Range products are not approved or authorized for home or residential use, but are intended for commercial applications only. Garland / U.S. Range will not provide service, warranty, maintenance or support of any kind other than in commercial applications.

Form# M17B, 24B, 34B (09/02/09)