



# Master Series Front-Fired Hot Top Range Attachment

Item: \_\_\_\_\_  
 Quantity: \_\_\_\_\_  
 Project: \_\_\_\_\_  
 Approval: \_\_\_\_\_  
 Date: \_\_\_\_\_

Master Series Front-Fired Hot Top Range Attachment

Models:

- M5S                       M5T

17" Front-Fired Hot Top Range Attachment

**PHOTO NOT AVAILABLE**

### Standard Features:

- Stainless steel front; black powder coat epoxy sides
- Stainless steel door on storage base
- 6" (152mm) chrome steel adj. legs
- 7-1/2" (191mm) stainless steel front rail
- Extra heavy cast iron top sections
- Removable cast iron ring; and lid
- Stainless steel burner box bottom
- Storage base interior of aluminized steel
- Heavy gauge aluminized steel radiation baffle system
- Three individually controlled jet burners 45,000 BTU (13.18Kw) total

### Optional Features:

- Stainless steel side(s)
- Stainless steel main back
- Stainless steel common front rail up to 68" (1728mm) wide (two or more units in a battery)
- End cap and cover (NC, Specify)

- Gas shut off valve; 3/4", 1" or 1-1/4" NPT
- Gas regulator 3/4" or 1-1/4"
- Gas flex hose & quick disconnect (3/4", 1" or 1-1/4" NPT x 5') w/ restraining device, please specify
- Rear gas connection 3/4", 1" or 1-1/4", external left or right side mount, stainless steel 5-1/4" (133mm) x 4-1/4" (108mm) enclosure gas line, adds 5-1/4" (133mm) to width
- Swivel casters (4) w/front brakes
- Polyurethane non-marking swivel casters (4) w/front brakes
- 6" (152mm) stainless steel adjustable legs
- Modular stand, (T model)
- Dais base, (S model w/o legs)
- Storage base shelf of aluminized or stainless steel
- Stainless steel tubular high shelf, single or double deck
- Stainless steel backguard: 10" (354mm), 17" (432mm) or 33" (838mm) H
- 230 volt, 50 cycle components, electric ignition (export)

### Specifications:

Heavy-duty gas range attachment with storage base, Model M5S. One front-fired spectro-heat hot top. 17" (432mm) wide x 38" (965mm) deep, including 7-1/2" (191mm) deep stainless steel front rail. Stainless steel front, including storage base door, with black powder coat epoxy sides. 45,000 BTU (13.18 kW) total. Natural or propane gas available. Also available with modular top, suffix T.



NOTE: Attachments supplied with casters must be installed with an approved restraining device.

Garland Commercial Industries, LLC  
 185 East South Street  
 Freeland, PA 18224  
 Phone: (570) 636-1000  
 Fax: (570) 636-3903

Garland Commercial Ranges Ltd  
 1177 Kamato Road,  
 Mississauga, Ontario  
 L4W 1X4 CANADA  
 Phone: 905-624-0260  
 Fax: 905-624-5669



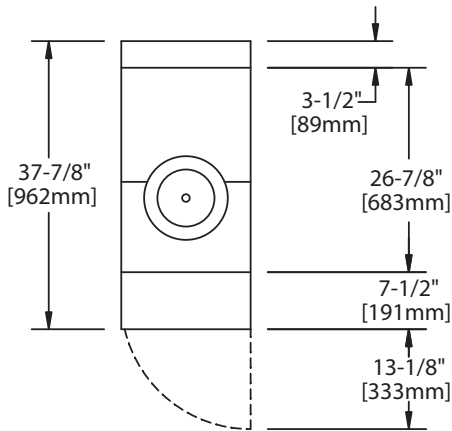
Product	Width: In(mm)	Depth: In(mm)	Height: In(mm) (w/ NSF Legs)	Height: In(mm) (w/o NSF Legs)	Storage Base Interior: in(mm)		
					Width	Depth	Height
M5S	17(432)	38(965)	36-3/8(924)	30-3/8(772)	14(356)	32-1/2(826)	20-1/2(519)
M5T	17(432)	38(965)	36-3/8(924) w/stand	9-1/2 (241) w/o stand*	N/A	N/A	N/A

\*Modular top has 1-1/2" seating flanges.

INPUT-BTU/hr	M5S Natural	M5S Propane	M5T Natural	M5T Propane
<b>Top Sections</b>	45,000 (13.18kW)	33,000 (9.66kW)	45,000 (13.18kW)	33,000 (9.66kW)

S=Range w/Storage Base T=Modular Top

INSTALLATION NOTES			Shipping Wt: (Lb/Kg) - CuFt
<b>Combustible Wall Clearances <sup>1</sup></b>	<b>Entry Clearances</b>	<b>Operating Pressure</b>	
Sides: 14" (356mm) Back: 6" (152mm)	Crated: 22 1/4" (565mm) Uncrated: 17-1/4" (438mm)	Natural: 6" WC (15mbar) Propane: 10" WC (25mbar)	M5S 230/1051 - 26 M5T 1138/63 - 9



<sup>1</sup>NOTE: Installation clearance reductions are applicable only where local codes permit.

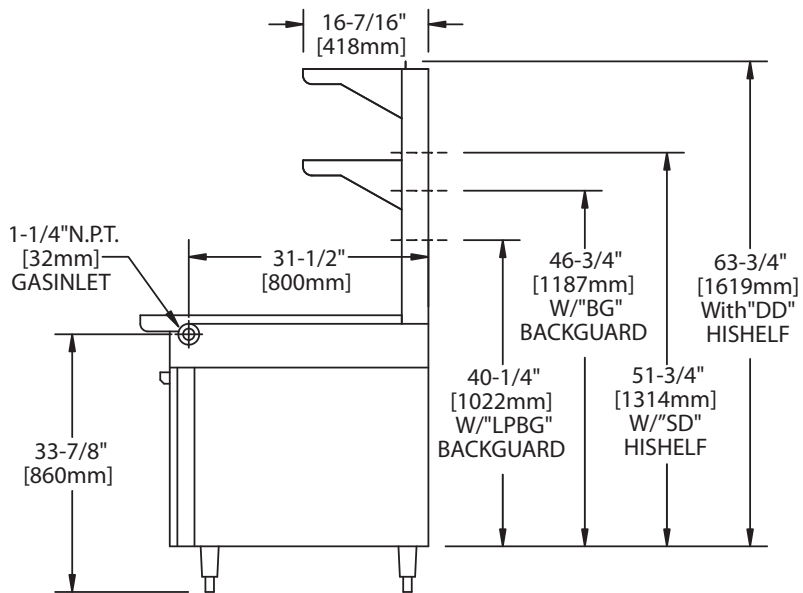
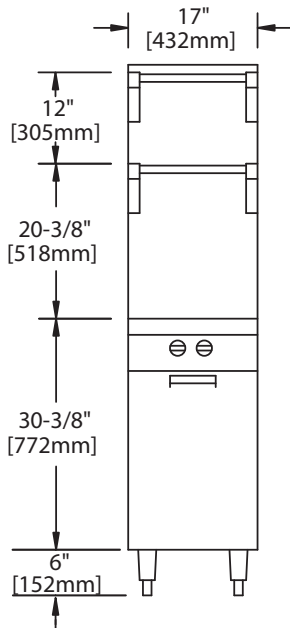
Data applies only to North America

Gas input ratings shown here are for installations up to 2,000 ft. (610m) above sea level. Specify altitudes over 2,000 ft.

Please specify gas type when ordering.

Garland/U.S. Range products are not approved or authorized for home or residential use, but are intended for commercial applications only.

Garland / U.S. Range will not provide service, warranty, maintenance or support of any kind other than in commercial applications



Form# M5 (09/02/09)