



*Model MCO-GS-10-S*

### Specification:

Garland Master Full-Size Standard Depth, Single or Double, (MCO-GS-10/20-S), or Deep Depth, Single or Double, (MCO-GD-10/20-S), gas convection oven. 60,000 BTU (17.6 kW)/cavity, 3/4 HP fan motor with two speed fan control. Electronic spark ignition. Natural or propane gas. Master 200 solid state control with electromechanical timer. Porcelain enameled oven interior with coved corners, Six (6) oven racks and 13-position rack guides. Interior measures 29" (736mm) wide by 24" (610mm) high by 24" (610mm) deep for standard depth and 29" (736mm) wide by 24" (610mm) high by 28" (711mm) deep for deep depth. Stainless steel front, sides, top, and legs. 60/40 dependent door design with double pane thermal window in both doors and interior lighting. Specify voltage if other than 115 volt, 60 Hz, 1 phase. UL, CUL Classified and NSF Listed. Ovens with optional 400 series controllers are CE approved.



*NOTE: Oven supplied with casters must be intalled with an approved restraining device.*

### Standard Features:

- Master 200 Solid State Control with 150° F (66°C) to 500°F (250°C) temperature range and electromechanical timer
- Electronic spark ignition, including automatic pilot system with 100% safety shut off
- 2-speed fan control (high & low) w/3/4HP fan motor
- Total of 60,000 BTU (17.6 kW) loading per oven cavity
- Natural or propane gas
- Stainless steel front, sides, top, and legs
- 60/40 dependent door design with double pane thermal window in both doors and interior lighting
- Full Length, stainless steel positive door closure, patented "Safety Door System"
- Porcelain enameled oven interior with coved corners
- 24" cooking cavity height W/6 chrome plated oven racks on 13-position rack guides
- Double deck models available.
- 1 year limited parts & labor warranty (USA & Canada only)
- 5 year limited door warranty, excluding window (USA & Canada only)

### Optional Features:

- Manufactured as U.S. Range Brand – No Charge, specify
- Solid State, Digital Controls W/ Cook'N Hold, Pulse Fan, Auto Setback, and Auto Cool Down; CE Approved
  - Master 450 as above
  - Master 455 (as above plus) Core Probe
  - Master 475 (as above plus) Programmable Product Keys
- 80,000 BTU (23.4kW) burner package (natural gas)
- Stainless steel solid doors
- Stainless steel oven interior
- Extra oven racks
- Swivel casters, (4) w/front brakes
- 4 Low profile casters, w/front brakes (double ovens only)
- Stainless steel open base with rack guides and shelf
- Canopy draft diverter (stainless steel)
- Direct connect vent
- Back enclosure (stainless steel)
- 3/4" gas flex hose & quick disconnect
- 208 or 240 volt, single phase motor (please specify)
- 50 cycle components

### Maximum Security Options:

- Stainless steel lockable control panel cover
- Stainless steel perforated back & motor cover
- Lockable oven doors (w/o windows)
- Tamper-proof screws w/tool kit
- Deck fasteners (Stainless steel flanged feet)

**Garland Commercial Industries, Inc.**  
 185 East South Street  
 Freeland, Pennsylvania 18224  
 Phone: (570) 636-1000  
 Fax: (570) 636-3903

**Garland Commercial Ranges Ltd.**  
 1177 Kamato Road, Mississauga, Ontario  
 L4W 1X4 CANADA  
 Phone: 905-624-0260  
 Fax: 905-624-5669

**Enodis UK LTD**  
 Swallowfield Way, Hayes, Middlesex  
 UB3 1DQ ENGLAND  
 Telephone: 081-561-0433  
 Fax: 081-848-0041



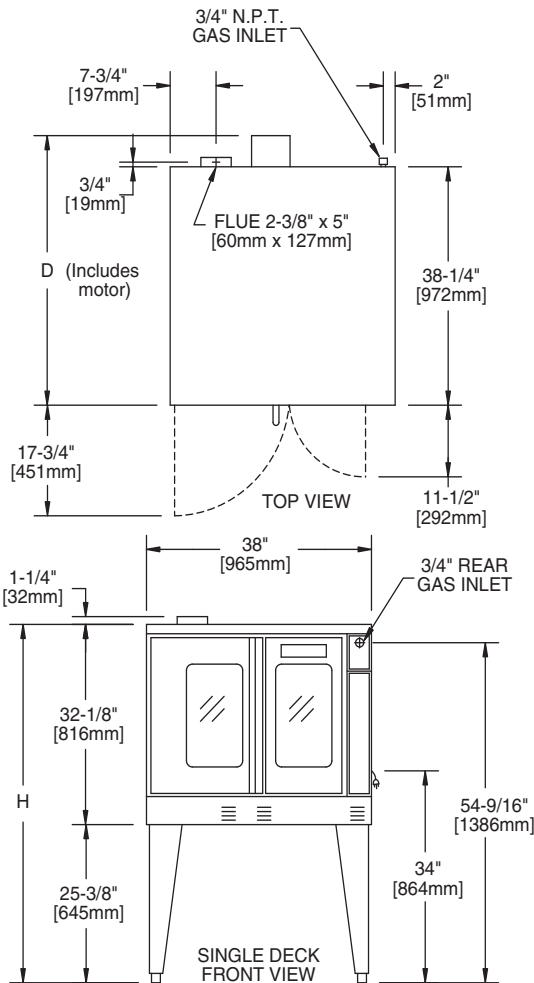
Item #: \_\_\_\_\_  
 Model: MCO-GS-10/20-S, MCO-GD-10/20-S  
 Product Name: Master Gas Convection Oven

SINGLE-DECK MODELS	INT. DIMENSIONS: In mm			EXT. DIMENSIONS: In mm			SHIP WT.	SHIP DIM.
	W	H	D	W	H*	D	lbs/kg	cubic Ft.
Standard Depth	29 (736)	24 (610)	24 (610)	38 (965)	57-1/2 (1461)	41-1/4(1048)	600/273	64
Deep Depth	29 (736)	24 (610)	28 (711)	38 (965)	57-1/2 (1461)	44-1/2(1130)	600/273	64

DOUBLE-DECK MODELS	INT. DIMENSIONS: In mm			EXT. DIMENSIONS In mm			SHIP WT.	SHIP DIM.
	W	H	D	W	H*	D	2@lbs/kg	Cubic Ft.
Standard Depth	29 (736)	24 (610)	24 (610)	38 (965)	70-1/2 (1791)	41-1/4(1048)	1150/523	128
Deep Depth	29 (736)	24 (610)	28 (711)	38 (965)	70-1/2 (1791)	44-1/2(1130)	1150/523	128

\*Height with or without standard casters. Height with low profile casters (double deck) is 68-1/2" (1740mm).

MODELS	INPUT RATINGS, NAT & PRO			ELECTRICAL SPECIFICATIONS	
	BTU/hr	kW Eqiv.	Gas inlet	120V/1Ph.	240V/1Ph.
Single Deck	60,000	17.6	(1)@3/4" NPT	(1)@9.4A	(1)@5.2A
Double Deck	120,000	35.2	(1)@1" NPT	(2)@9.4A	(2)@5.2A



**Installation Notes:**

**Combustible Wall Clearances:**  
 Sides: 1" (25mm)  
 Back: 3" (76mm)

**Entry Clearance:**  
 Crated: 47" (1194mm)  
 Uncrated: 32 1/2" (826mm)

**Operating Pressure:**

Natural: 4.5" WC (11 mbar)  
 Propane: 10" WC (25 mbar)  
 Max 13.8" WC @ 70°F

NOTE: Data applies only to North America

**Notes:**

- Standard electrical specifications include motor requirements.
- (120V units) 115V, 3/4 HP, 2-speed motor; 1140 and 1725 rpm, 60Hz.
- (240V units) 200-240V, 3/4 HP, 2-speed motor; 1140 and 1725 rpm, 60 Hz
- A 6 ft. line cord is provided for each 120V deck with a (NEMA #5-15P) plug.
- Garland recommends a separate 15 AMP circuit for each 120V unit.

Gas Input Ratings shown here are for installations up to 2,000 ft. (610m) above sea level. Specify altitudes over 2,000 ft. Please specify gas type when ordering.

Continuous product improvement is a Garland policy. Specifications and design are subject to change without notice.