



Item #: _____
 Model: MSR16, MSRC, MSRW
 Product Name: Master Series Infra-Red Broiler
 Salamander Broiler

GARLAND® GAS Master Series Infra-Red Salamander Broiler MSR16, MSRC, MSRW



Model MSR16

Specification:

Range mount gas infra-red salamander broiler, Model #MSR16. Two (2) 14,000 BTU (4.10 kw) atmospheric burners, each with a Hi-Lo valve. Fixed position, roll-in, roll out broiling rack with flat or tilt positions. 34" (864mm) wide x 18" (457mm) deep x 35-1/2" (902mm) high backguard to top of broiler housing. 16-1/4" (413mm) high broiler housing only. 28,000 BTU (8.20kw) total. Natural or propane gas. AGA, CGA certified and NSF listed. MST prefix models carry CE Mark: for Europe

Standard Features:

- Range Mount Model MSR16 - Stainless steel front, black powder coat epoxy sides and aluminized broiler housing top and bottom. Fixed position broiling rack with flat or easy view tilt position, roll-in, roll-out rack
- Large capacity removable grease pan
- One year limited parts & labor warranty (U.S.A. & Canada Only)
- Counter Mount model -MSRC - Stainless steel front and top, black powder coat epoxy sides and aluminized broiler housing, bottom
- 1/2" NPT top gas inlet range and wall mount models. Rear gas inlet Counter [noun] models.
- Two (2) 14,000 BTU (4.10 kw) atmospheric infra-red burners, each controlled with Hi-Lo valve. MST model prefix Sentry flame failure protection, e.g.: MSTSR16, MSTRC

Optional Features:

- Stainless steel sides.
- Stainless steel main back.
- Stainless steel main bottom.
- Stainless steel main top for MSR16.
- Brackets for wall mounting Model MSRC
- Interconnecting gas piping for range mount
- MS - Model prefix - burners with pilot shut off valve, e.g. MSSR16, MSSRC
- MST - Model prefix _ Sentry flame failure protection on all burners, e.g.: MSTSR16, MSTRC.



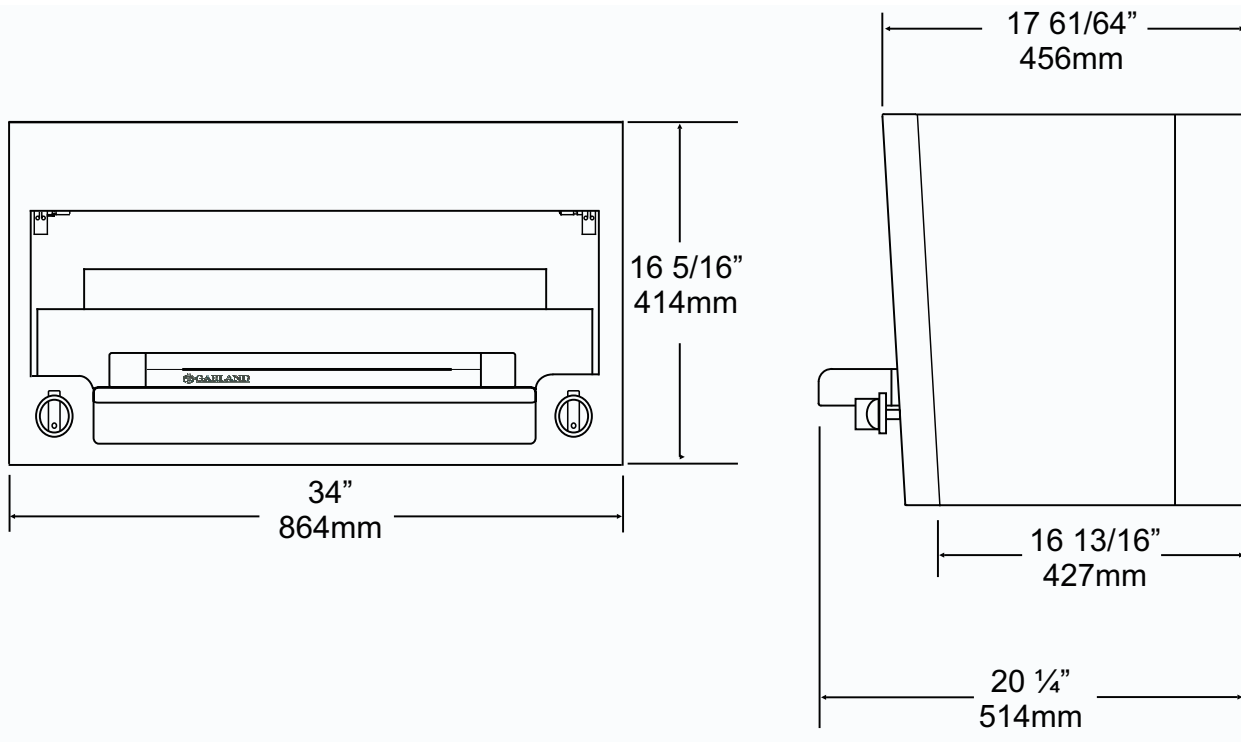
Garland Commercial Industries, Inc.
 185 East South Street
 Freeland, Pennsylvania 18224
 Phone: (570) 636-1000
 Fax: (570) 636-3903

Garland Commercial Ranges Ltd
 1177 Kamato Road, Mississauga, Ontario
 L4W 1X4 CANADA
 Phone: 905-624-0260
 Fax: 905-624-5669

Enodis UK LTD
 Swallowfield Way, Hayes, Middlesex
 UB3 1DQ ENGLAND
 Telephone: 081-561-0433
 Fax: 081-848-0041



Item #: _____
 Model: MSR16, MSRC, MSRW
 Product Name: Master Series Infra-Red Broiler Salamander Broiler



PRODUCT	MSR16	MSC
Width: In(mm)	34(864)	34(864)
Depth: In(mm)	20-1/4(514)	20-1/4(514)
Height: In(mm)	35-5/8(965)	17(432)
INPUT: BTU/hr(kw)(Natural Gas)	28,000 (8.20)	28,000 (8.20)
Shipping Wt: (LB/KG)	170/78	135/61

INSTALLATION NOTES		
Combustible Wall Clearances ¹	Entry Clearances	Manifold Pressure
Sides: 0" Back: 0"	Crated: 26-3/4" (680mm) Uncrated: 21" (533mm)	Natural: 6" WC (15mbar) Propane: 11" WC (28mbar)

¹ For installations in non-combustible locations only

NOTE: Data applies only to North America

Gas input ratings shown here are for installations up to 2,000 ft. (610m) above seal level. Specify altitudes over 2,000 ft.

Commercial cooking equipment requires an adequate ventilation system. For additional information, refer to the National Fire Protection Association's standard NFPA96. "Vapor Removal from Cooking equipment" (for North American only)

Please specify gas type when ordering.