



# Regal Series Stock Pot Stoves

Item: \_\_\_\_\_

Quantity: \_\_\_\_\_

Project: \_\_\_\_\_

Approval: \_\_\_\_\_

Date: \_\_\_\_\_

Regal Series Stock Pot Stoves

Models:

SP-1844

**PHOTO NOT  
AVAILABLE**

### Standard Features:

- One-piece heavy cast reinforced top grate and rim roll
- Large capacity, removable drip pan
- High speed type burners
- Two (2) burner controls total 45,000 BTU/hr (15,000 inner ring, 30,000 outer ring)
- Standing pilot for instant lighting
- 3/4" gas regulator
- 6" (152mm) legs with adjustable feet
- Exterior finish - black enamel with stainless steel front

### Optional Features:

- Stainless Steel Sides
- Double stove, side-by-side or front-to-back

### Specification:

Shall be U.S. Range Stock Pot, Model \_\_\_\_\_ total BTU/Hour rating of 45,000 when used with natural/propane gas. Finish is to be stainless steel front and painted sides.



Model Number	Description	Total BTU Propane & Natural Gas
SP-1844	Stock Pot Stove With Pipe Legs	45,000

Garland Commercial Industries, LLC  
185 East South Street  
Freeland, PA 18224  
Phone: (570) 636-1000  
Fax: (570) 636-3903

Garland Commercial Ranges Ltd  
1177 Kamato Road,  
Mississauga, Ontario  
L4W 1X4 CANADA  
Phone: 905-624-0260  
Fax: 905-624-5669



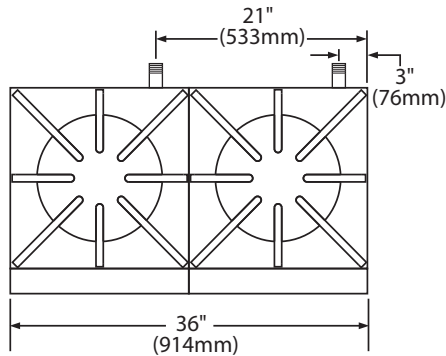
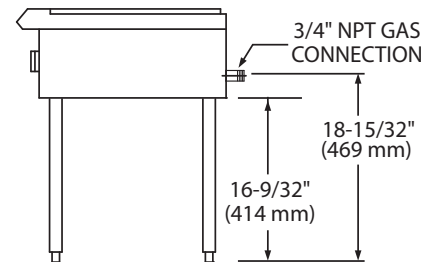
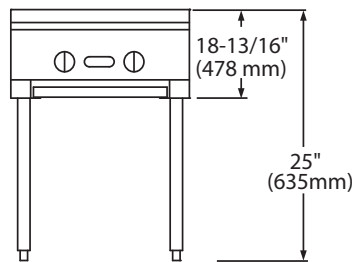
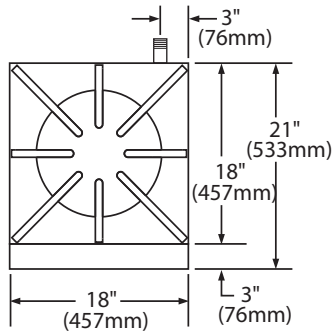
Specifications								
Model #	Dimensions: In. (mm)			No. of Burners	BTU Natural & Propane Gas			Gas Manifold
	Width	Depth	Height		Inner Ring	Outer Ring	Total	
SP-1844,	18 (457)	21 (533)	25 (635)	2	15,000	30,000	45,000	3/4" IPS

Many local codes exist and it is the responsibility of the owner and installer to comply with those codes.

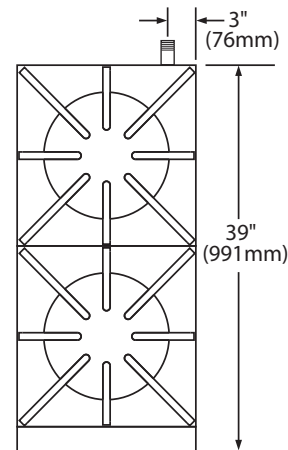
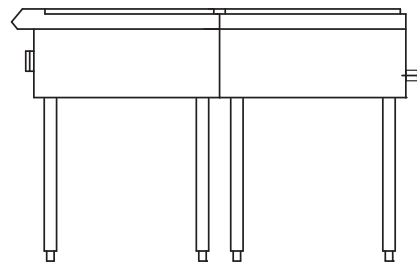
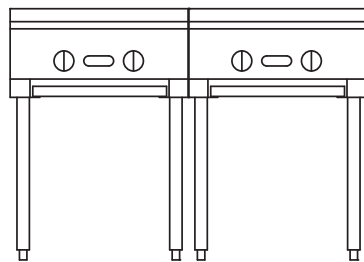
Garland/U.S. Range products are not approved or authorized for home or residential use, but are intended for commercial applications only. Garland / U.S. Range will not provide service, warranty, maintenance or support of any kind other than in commercial applications.

Manifold Operating Pressure All Models	
Natural Gas	Propane
5" WC (12.5 Mbar)	10" WC (25 Mbar)

Shipping Information		
Model #	Weight Lb/Kg	Cu Ft
SP-1844	80/36	9



ALSO AVAILABLE  
FACTORY ASSEMBLED  
AS TWIN BANKS;  
SIDE-BY-SIDE & FRONT-TO-BACK



Form# SP (01/21/10)