



Heavy Duty Gas Ceramic Briquette Char-Broilers

Item: _____
 Quantity: _____
 Project: _____
 Approval: _____
 Date: _____

Heavy Duty Gas Ceramic Briquette Char-Broilers w/Adjustable Grates

Models:

UTBG24-AB24

UTBG36-AB36

UTBG48-AB48

UTBG60-AB60



Model UTBG24-AB24

Standard Features:

- SS front, sides and back
- 4" SS adjustable legs
- 3/4" NPT gas regulator with "T" gas manifold connection for straight through rear or flush-mount gas connections.
- 3 1/2" deep SS front rail
- SS large capacity crumb tray
- Reversible cast iron broiler racks in 3" wide sections
- 21-1/2" (546mm) broiling grid depth
- 2-position adjustable broiler grate
- One cast iron 30,000 BTU burner for every 12" of broiler width.
- One hi-lo valve control for each burner.
- Ceramic, pre-formed briquettes

Optional Features:

- Stainless steel stand with solid top shelf and holding self. Stands are standard with a set of casters (locking front)
- SS skirt for dais/counter surface mounting.
- SS spatter-guard
- Removable wire holding shelf for spatter guards available for 24" and 36" models
- Broiler grate cleaning tool
- Fajita broiling grate: 9" wide, replaces 3 standard grate sections on the left or right end of the broiler. Limit one per broiler.

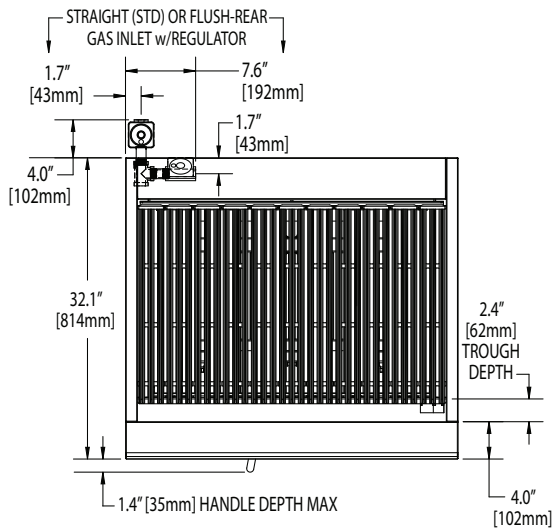
US Range gas ceramic briquette broilers are available with adjustable broiling grates, in four nominal imperial widths from 24"(600mm) to 60"(1500mm). 13" (330mm) high and 32" (814mm) deep. Reversible cast iron grates in 3" (76mm) wide sections overall cooking area depth 21 1/2" (546 mm). One 30,000 BTU burner with individual valve control per 12" of broiler width. Large stainless steel catch tray, stainless steel front, sides, and back.



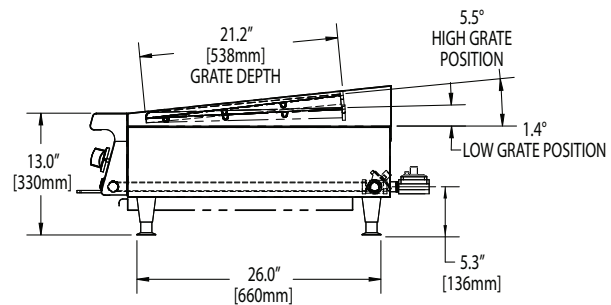
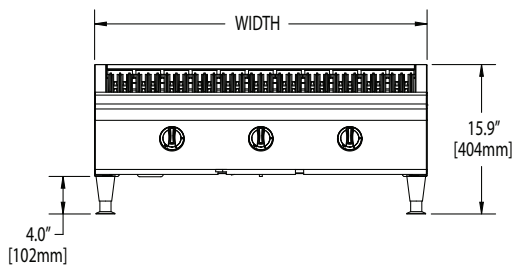
Garland Commercial Industries, LLC
 185 East South Street
 Freeland, PA 18224
 Phone: (570) 636-1000
 Fax: (570) 636-3903

Garland Commercial Ranges Ltd
 1177 Kamato Road,
 Mississauga, Ontario
 L4W 1X4 CANADA
 Phone: 905-624-0260
 Fax: 905-624-5669





For use with Natural or Propane gas only. Gas input ratings shown for installations up to 2000 ft., (610m), above sea level. Please specify altitudes over 2000 ft. and gas type when ordering. Garland/U.S. Range products are not approved or authorized for home or residential use, but are intended for commercial applications only. Garland/U.S. Range will not provide service, warranty, maintenance or support of any kind other than in commercial applications.



Model #	Width In (mm)	Height (w/std legs)	Depth In (mm)	Total Input (BTU)	Shipping Information	
					Lbs/Kg	Cu Ft
UTBG24-AB24	23-5/8 (600)	13 (330)	32 (814)	60,000	283/129	19
UTBG36-AB36	35-7/16 (900)			90,000	391/178	26
UTBG48-AB48	47-1/4 (1200)			120,000	514/283	34
UTBG60-AB60	59-1/16 (1500)			150,000	635/288	41

SUPPLY OPERATING PRESSURE				MANIFOLD OPERATING PRESSURE				INSTALLATION CLEARANCES
NATURAL GAS		PROPANE		NATURAL GAS		PROPANE		
"WC	MBar	"WC	Mbar	"WC	MBar	"WC	Mbar	
7	17.5	11	27.5	4.5	11	10	24.5	

CLEARANCE: 0" FOR INSTALLATION IN NON-COMBUSTIBLE SURROUNDINGS ONLY

Form# UTBG-AB (06/04/10)