



Item: \_\_\_\_\_  
 Quantity: \_\_\_\_\_  
 Project: \_\_\_\_\_  
 Approval: \_\_\_\_\_  
 Date: \_\_\_\_\_

# Heavy Duty Gas Radiant Char-Broilers

## Heavy Duty Gas Radiant Char-Broilers w/Adjustable or Non-Adjustable Grates

Models:

- |                                      |                                      |                                      |                                      |
|--------------------------------------|--------------------------------------|--------------------------------------|--------------------------------------|
| <input type="checkbox"/> UTBG24-AR24 | <input type="checkbox"/> UTBG36-AR36 | <input type="checkbox"/> UTBG48-AR48 | <input type="checkbox"/> UTBG60-AR60 |
| <input type="checkbox"/> UTBG24-NR24 | <input type="checkbox"/> UTBG36-NR36 | <input type="checkbox"/> UTBG48-NR48 | <input type="checkbox"/> UTBG60-NR60 |



Model UTBG24-AR24

### Standard Features:

- SS front, sides and back
- 4" SS adjustable legs
- 3/4" NPT gas regulator with "T" gas manifold connection for straight through rear or flush-mount gas connections.
- 3 1/2" deep SS front rail
- SS large capacity crumb tray
- Reversible cast iron broiler racks in 3" wide sections
- 21-1/2" (546mm) broiling grid depth
- 2-position adjustable broiler grates or fixed-position non-adjustable grates
- One cast iron radiant over a 18,000 BTU burner for every 6" of broiler width.
- One hi-lo valve control for each burner.

### Optional Features:

- Stainless steel stand with solid top shelf and holding shelf. Stands are standard with a set of casters (locking front)
- SS skirt for dais/counter surface mounting.
- SS spatter-guard
- Removable wire holding shelf for spatter guards available for 24" and 36" models
- Broiler grate cleaning tool
- Fajita broiling grate: 9" wide, replaces 3 standard grate sections on the left or right end of the broiler. Limit one per broiler.

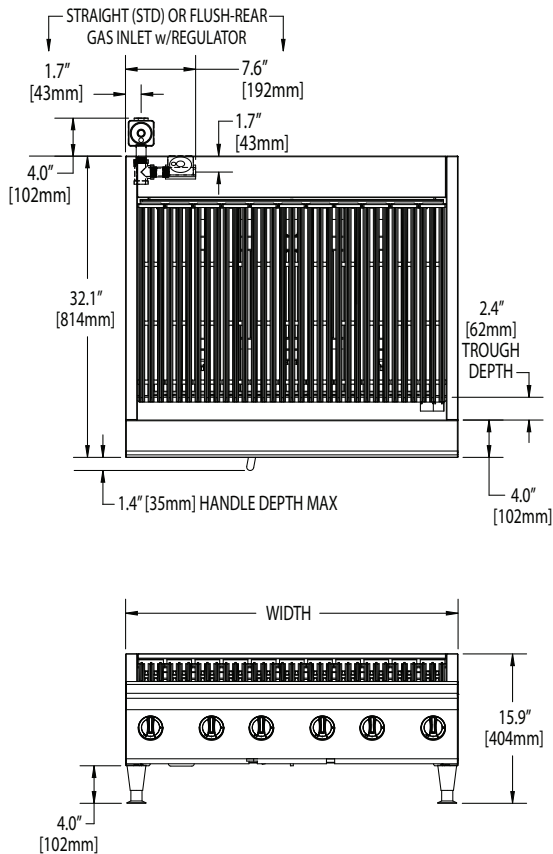
US Range gas radiant broilers are available with adjustable or non-adjustable cooking racks, in four nominal imperial widths from 24"(600mm) to 60"(1500mm). 13" (330mm) high and 32" (814mm) deep. Reversible cast iron grates in 3" (76mm) wide sections overall cooking area depth 21 1/2" (546 mm). One 18,000 BTU burner with individual valve control per 6" of broiler width. Large stainless steel catch tray, stainless steel front, sides, and back.



Garland Commercial Industries, LLC  
 185 East South Street  
 Freeland, PA 18224  
 Phone: (570) 636-1000  
 Fax: (570) 636-3903

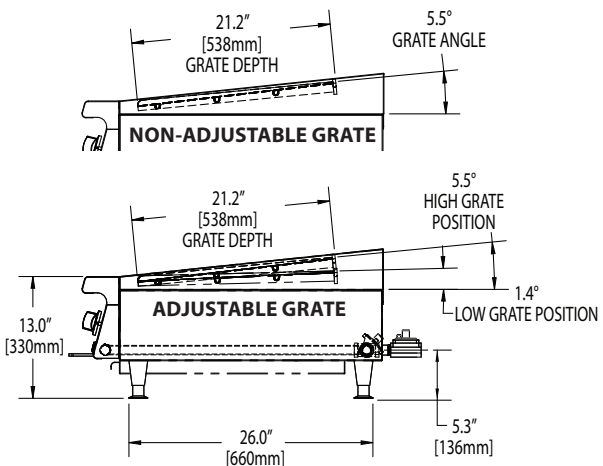
Garland Commercial Ranges Ltd  
 1177 Kamato Road,  
 Mississauga, Ontario  
 L4W 1X4 CANADA  
 Phone: 905-624-0260  
 Fax: 905-624-5669





For use with Natural or Propane gas only. Gas input ratings shown for installations up to 2000 ft., (610m), above sea level. Please specify altitudes over 2000 ft. and gas type when ordering.

Garland/U.S. Range products are not approved or authorized for home or residential use, but are intended for commercial applications only. Garland/U.S. Range will not provide service, warranty, maintenance or support of any kind other than in commercial applications.



Model #	Width In (mm)	Height (w/std legs)	Depth In (mm)	Total Input (BTU)	Shipping Information	
					Lbs/Kg	Cu Ft
<b>With Adjustable Grates</b>						
UTBG24-AR24	23-5/8 (600)	13 (330)	32 (814)	72,000	283/129	19
UTBG36-AR36	35-7/16 (900)			108,000	391/178	26
UTBG48-AR48	47-1/4 (1200)			144,000	514/283	34
UTBG60-AR60	59-1/16 (1500)			180,000	635/288	41
<b>With Non-Adjustable Grates</b>						
UTBG24-NR24	23-5/8 (600)	13 (330)	32 (814)	72,000	283/129	18
UTBG36-NR36	35-7/16 (900)			108,000	391/178	25
UTBG48-NR48	47-1/4 (1200)			144,000	514/283	33
UTBG60-NR60	59-1/16 (1500)			180,000	635/288	40

SUPPLY OPERATING PRESSURE				MANIFOLD OPERATING PRESSURE				INSTALLATION CLEARANCES
NATURAL GAS		PROPANE		NATURAL GAS		PROPANE		
"WC	MBar	"WC	Mbar	"WC	MBar	"WC	Mbar	
7	17.5	11	27.5	4.5	11	10	24.5	

**CLEARANCE: 0" FOR INSTALLATION IN NON-COMBUSTIBLE SURROUNDINGS ONLY**

Form# UTBG-AR-NR (06/04/10)