

Item: \_\_\_\_\_  
 Quantity: \_\_\_\_\_  
 Project: \_\_\_\_\_  
 Approval: \_\_\_\_\_  
 Date: \_\_\_\_\_

## X Series 60" Raised Griddle/Broiler Gas Range

Models:

- X60-6R24RR       X60-6R24RS



*Model X60-6R24RR*

NOTE: Ranges supplied with casters must be installed with an approved restraining device.

### Standard Features:

- Large 27" (686mm) work top surface
- Stainless steel front and sides
- Stainless steel 4" (102mm) plate rail
- Stainless steel backguard w/ removable stainless steel shelf
- 24" (610mm) raised griddle broiler section w/3 cast iron burners each rated 14,500 Btuh/4-25kW
- 12" (305mm) section stamped drip trays w/ dimpled bottom
- Durable easy to read control knobs
- Easy to clean 6" (152mm) steel core, injected molded legs
- Pressure regulator, 1" NPT
- Ergonomic split cast iron top ring grates
- 30,000 Btuh/ 8.79 kW 2 piece cast iron "Q" style donut open burner
- 5/8" (15mm) thick steel griddle plate w/manual hi/lo valve control

- 4-1/4" (108mm) wide grease trough
- Heavy duty oven door w/keep-cool handle
- Straight steel tube oven burner 33,000 Btuh/9.67 kW
- Standard size Sunfire oven w/ ribbed porcelain oven bottom and door interior, aluminized top, sides and back
- Oven thermostat w/ Low to 500° F (260° C)
- Nickel plated oven rack with two fixed position oven rack guides
- Cabinet base in lieu of oven(s)

### Optional Features:

- Low profile 9-3/8" (238mm) backguard stainless steel front and sides
- Additional oven racks
- 6" (152mm) swivel casters (4), w/ front locking
- Celsius temperature dials

### Specifications:

Gas restaurant series range with 2 standard size Sunfire ovens. 59-1/16" (1500mm) wide with a 27" (686mm) deep work top surface. Stainless steel front, sides and 4"(102mm) wide front rail. 6" (152mm) legs with adjustable feet. Six robust 2 piece 30,000 Btuh/8.797 kW (Natural gas), cast open burners set in split cast iron ergonomic grates. 24" (610mm) raised griddle/broiler with cast iron burners each rated at 14,500 Btuh/4.25kW. Porcelain oven bottom and door liner. Two position fixed rack guide w/one oven rack. Heavy duty oven door with "keep cool" door handle. Straight steel tube oven burner 33,000 Btuh/9.67 kW (natural gas) provides quality bake and good recovery . Oven thermostat ranges from Low to 500° F (260° C). Available with storage base.



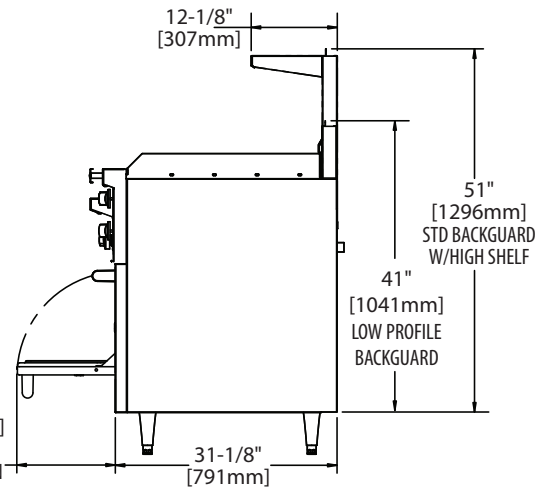
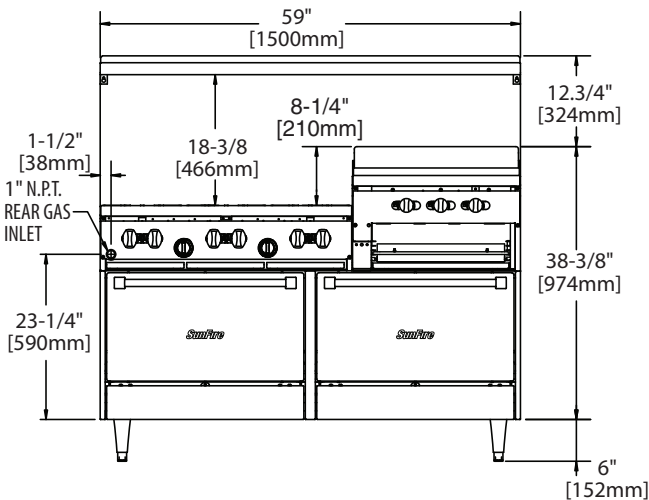
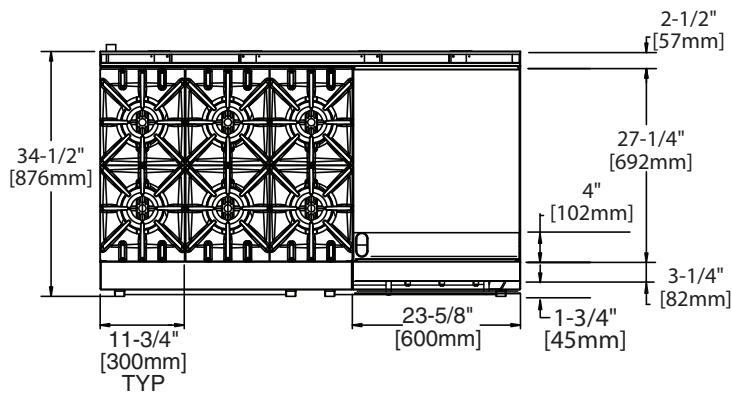
| Model Number | Description   | Total BTU/Hr Natural | Shipping Information |     |       |
|--------------|---|----------------------|----------------------|-----|-------|
|              |   |                      | Lbs.                 | Kg  | Cu Ft |
| X60-6R24RR   | 6 Open Burners, 24" Raised Griddle/Broiler w/ (2) Standard Ovens                | 279,000              | 828                  | 376 | 81    |
| X60-6R24RS   | 6 Open Burners, 24" Raised Griddle/Broiler w/ (1) Standard Ovens & Storage Base | 246,000              | 787                  | 357 | 81    |

| Width In (mm)     | Depth In (mm)    | Height w/shelf In (mm) | Oven Interior-in (mm) |             |                 | Combustible Wall Clearance-In (mm) |            | Entry Clearances In (mm) |                 | Manifold Operating Pressure |                |
|-------------------|------------------|------------------------|-----------------------|-------------|-----------------|------------------------------------|------------|--------------------------|-----------------|-----------------------------|----------------|
|                   |                  |                        | Height                | Depth       | Width           | Sides                              | Rear       | Crated                   | Uncrated        | Natural                     | Propane        |
| 59-1/16<br>(1500) | 33-1/2<br>(8512) | 57<br>(1448)           | 13<br>(330)           | 22<br>(559) | 26-1/4<br>(667) | 14<br>(356)                        | 6<br>(152) | 37<br>(940)              | 36-1/2<br>(927) | 4.5" WC<br>11 mbar          | 10"<br>25 mbar |

| Burner Ratings (BTU/Hr/kW) |             |               |                        |
|----------------------------|-------------|---------------|------------------------|
| Gas Type                   | Open Top    | Standard Oven | Raised Griddle/Broiler |
| Natural                    | 30,000/8.79 | 33,000/9.67   | 33,000/9.66            |
| Propane                    | 26,000/7.61 | 29,000/8.50   | 33,000/9.66            |

Gas input ratings shown for installations up to 2000 ft.,(610m) above sea level. Please specify altitudes over 2000 ft.

Note: Installation clearance reductions are applicable only where local codes permit.  
This product is not approved for residential use.



Form# XRB60 Series (04/26/12)