



# Master Series Electric Xpress Grill

Item: \_\_\_\_\_  
 Quantity: \_\_\_\_\_  
 Project: \_\_\_\_\_  
 Approval: \_\_\_\_\_  
 Date: \_\_\_\_\_

Master Series Electric Xpress Grill

### Models:

- XE24                       XE24-1L                       XE24-1R  
 XE24CE                       XE24CE-1L                       XE24CE-1R



Model XE24

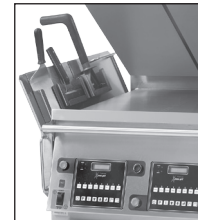
### Standard Features:

- Stainless steel front, top & sides
- Towel bar with bun pan lip
- 4.3kW input for each 12" section of griddle
- XE24 models have 208V/220V/240V three phase bottom griddle plate.
- "CE" approved models have the suffix "CE", these units are rated 380V/400V/415V three phase
- 3/4" (19mm) thick, Carbon steel griddle plate, machine ground, highly polished
- Die cast aluminum electric top heating elements rated 208V/220V/240V three phase for XE24 models and 380V/400V/415V three phase for XE24CE models
- Automatic lifting and lowering of top heaters
- Stainless steel dual side grease collectors

- Swivel casters (4) W/ front brakes
- Separate programmable controller for each 12" section
- Multi-colored LED indicator lights to identify operational mode
- One year limited parts and labor (USA & Canada)

### Optional Features:

- Flared grease containers: (2) 1.5 gal., (5.68 L), with removable tool holders. NOTE: Increases overall width of grill to 35" (889mm), (tools not included).



### Specifications:

Two sided cooking device with electric griddle and two independently controlled 11.5" (286mm) wide electric top heaters. Each twelve inches of lower griddle plate to have 4.3kW input through three flat bar heating elements. Griddle plate to be 3/4" (19mm) thick Carbon steel, machine ground and highly polished. Automatic temperature control, time and gap monitored via custom, programmable controllers, one per foot of griddle. Electric top heaters to be provided with replaceable quick release Teflon sheets. Top heaters to have gapping adjustment in 0.010" increments. Grills available with two (XE24) or one (XE24-1L/R) top platen model configurations. Grill available in 208V/220V/240V, three phase and, 380V/400V/415V three phase for export.

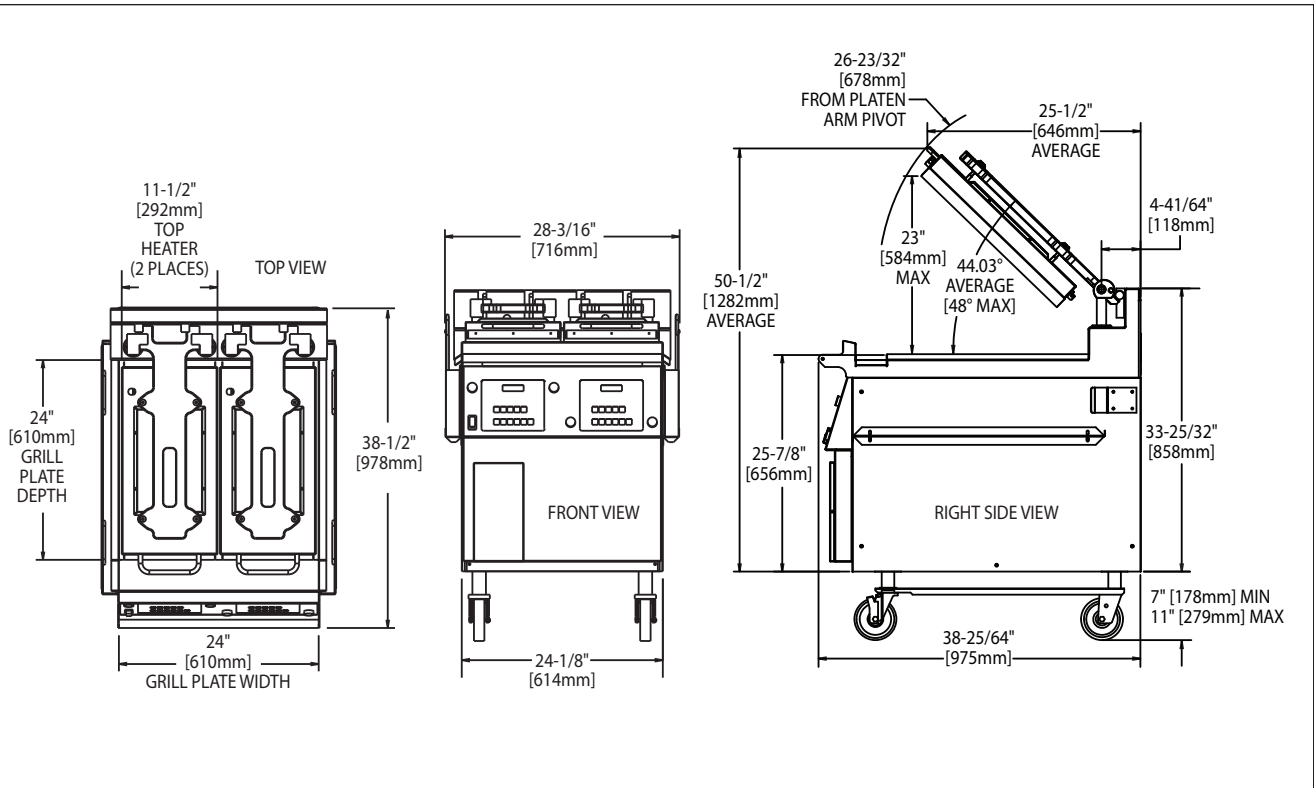


NOTE: Grills supplied with casters must be installed with an approved restraining device.

Garland Commercial Ranges Ltd.  
 1177 Kamato Road,  
 Mississauga, Ontario  
 L4W 1X4 CANADA

General Inquires 1-905-624-0260  
 USA Sales, Parts and Service 1-800-424-2411  
 Canadian Sales 1-888-442-7526  
 Canada or USA Parts/Service 1-800-427-6668





Clearances			
Entry		Installation	
Crated	Uncrated	Sides	Rear
47-1/2" (1207mm)	32" (813mm)	6" (152mm)	3" (76mm)

Model	Total kW Load	Loading kW Per Phase			Nominal Amps Per Line								
		208/220/240V 3PH			208V 3-Phase Delta			220V 3-Phase Delta			240V 3-Phase Delta		
		X-Y	X-Z	Y-Z	X	Y	Z	X	Y	Z	X	Y	Z
XE24	17.30	5.53	6.01	5.53	48.04	46.04	48.04	45.42	43.53	45.42	41.64	39.90	41.64
XE24-1 L/R	12.98	4.33	5.58	4.33	37.09	36.05	37.09	35.07	34.08	35.07	32.15	31.24	32.15

Model	Total kW Load	Loading kW Per Phase				Nominal Amps Per Line											
		380/400/415V				380V				400V				415V			
		L1/N	L1/L2	L1/L3	L2/L3	L1/N	L1	L2	L3	L1/N	L1	L2	L3	L1/N	L1	L2	L3
X24CE	17.08	0.48	5.67	5.67	5.67	2.18	26.90	25.84	25.84	2.09	24.88	23.68	24.54	2.00	24.66	23.55	23.66
XE24CE-1 L/R	12.90	0.33	4.33	4.33	4.33	1.50	20.09	19.73	19.73	1.40	18.65	17.90	17.90	1.37	18.75	18.07	18.07

Form# XE24 (01/09/12)