



# Master Series Gas Xpress Grill

Item: \_\_\_\_\_  
 Quantity: \_\_\_\_\_  
 Project: \_\_\_\_\_  
 Approval: \_\_\_\_\_  
 Date: \_\_\_\_\_

Master Series Gas Xpress Grill

Models:

- XG36\*     XG36-2L     XG36-2R     XG36-1L     XG36-1C     XG36-1R  
 XG36CE\*     XG36CE-2L     XG36CE-2R     XG36CE-1L     XG36CE-1C     XG36CE1R



Model XG36

Standard Features:

- Stainless steel front, top & sides
- Swivel casters (4) w/front brakes
- 33,000 BTU/hr. heat input for each 12" section of griddle
- 3/4" NPT bottom gas connection
- Built in pressure regulator (one per 12" section of griddle) and gas shut-off valve
- 3/4" (19mm) thick, Carbon steel griddle plate, machine ground, highly polished
- Towel bar with bun pan lip
- Stainless steel dual side grease collectors
- Multi-colored LED indicator lights to identify operational mode
- Die cast aluminum electric top heating elements rated 208V/220V/240V, single or 3-phase, North America
- Automatic lifting and lowering of top heaters

- "CE" approved models have suffix "CE" within the model structure, these units are rated 380V/400V/415V three phase
- Separate programmable controller for each 12" section
- One year limited parts and labor (USA & Canada)

Optional Features:

- Quick disconnect gas hose 3' (914mm) length
- Flared grease containers: (2) 1.5 gal., (5.68 L), with removable tool holders. NOTE: Increases overall width of grill to 47 (1192mm), (tools not included).



Specifications:

Two sided cooking device with gas-fired griddle and three independently controlled 11.5" (286mm) wide electric top heaters. Each twelve inches of lower griddle plate to have 33,000 BTU/hr of heat input natural or propane gas. Burner to be rectangular shaped 16 GA stainless steel with laser cut port pattern. Griddle plate to be 3/4" (19mm) thick Carbon steel, machine ground and highly polished. Automatic lighting, temperature, time & gap control monitored via custom programmable controllers, one per foot of griddle. Gas pressure regulator and manual shut-off valve to be provided as standard. Electric top heaters to be provided with replaceable quick release Teflon sheets. Top heaters to have gapping adjustment in 0.010" increments. Available with three (XG36), two (XG36-2L/R) or one (XG36-1L/C/R) top platen configurations. Grill available in 208V/220V/240V three phase and 380V/400V/415V three phase for export.



\* ENERGY STAR® qualified models

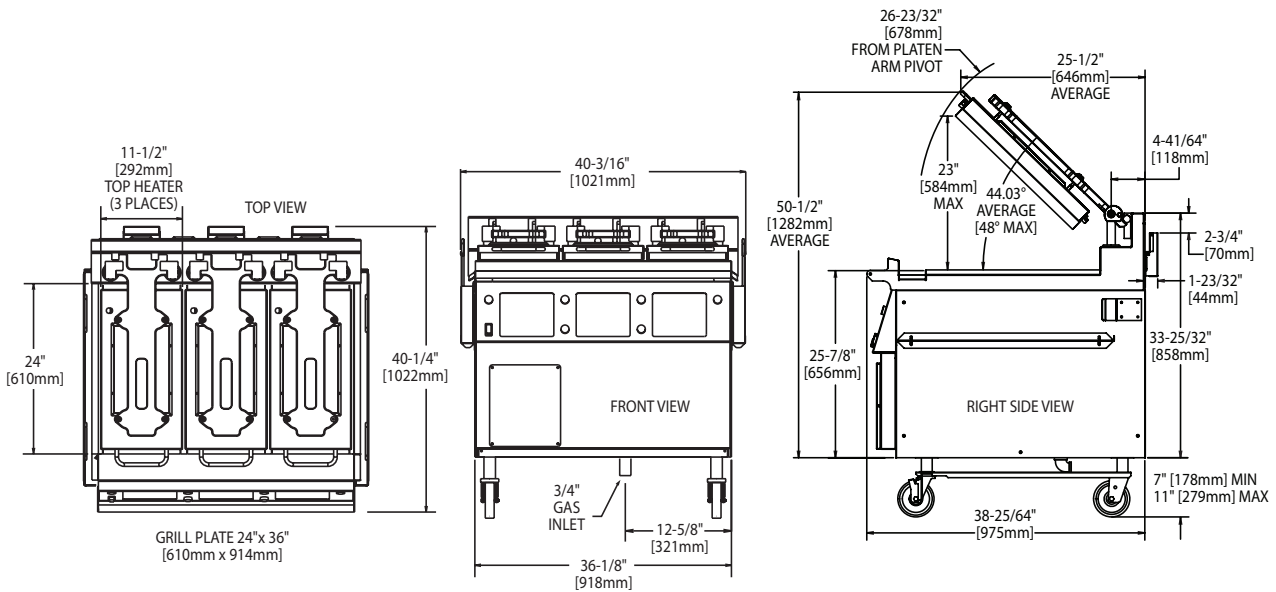


NOTE: Grills supplied with casters must be installed with an approved restraining device.

Garland Commercial Ranges Ltd.  
 1177 Kamato Road,  
 Mississauga, Ontario  
 L4W 1X4 CANADA

General Inquires 1-905-624-0260  
 USA Sales, Parts and Service 1-800-424-2411  
 Canadian Sales 1-888-442-7526  
 Canada or USA Parts/Service 1-800-427-6668





Model	Total kW Load	Loading kW/Phase			Nominal Amps Per Line												
		208/220/240V 3ph			208V				220V				240V				
		X-Y	X-Z	Y-Z	TB	1-Ph			3-Phase Delta			1-Ph			3-Phase Delta		
						L1-L2	X	Y	Z	L1-L2	X	Y	Z	L1-L2	X	Y	Z
XG36	12.99	4.00	4.99	4.00	1	41.63	37.43	33.30	37.43	39.36	35.38	31.49	35.38	36.08	32.43	28.90	32.43
					2	20.82	-	-	-	19.68	-	-	-	18.04	-	-	-
XG36-2 L/R	8.66	2.66	3.33	2.66	1	41.63	24.93	22.14	24.93	39.36	23.57	20.94	23.57	36.08	21.61	19.19	21.61
XG36-1 L/C/R	4.33	1.33	1.66	1.33	1	20.82	12.46	11.07	12.46	19.68	11.78	10.47	11.78	18.04	10.80	9.59	10.80

**NOTE: Model XG36 is not available for 1-phase wiring in Canada**

Model	Total kW Load	Loading kW Per Phase				Nominal Amps Per Line											
		380/400/415V				380V				400V				415V			
		L1/N	L1/L2	L1/L3	L2/L3	L1/N	L1	L2	L3	L1/N	L1	L2	L3	L1/N	L1	L2	L3
XG36CE	12.99	0.99	4.00	4.00	4.00	4.50	20.48	18.23	18.23	4.30	19.80	17.32	17.32	4.12	18.75	16.70	16.70
XG36CE-2 L/R	8.81	0.81	2.67	2.67	2.67	4.00	14.01	12.16	12.16	3.52	13.57	11.55	11.55	3.37	12.83	11.14	11.14
XG36CE-1 L/C/R	4.63	0.63	1.33	1.33	1.33	2.8	7.42	6.06	6.06	2.70	7.12	5.75	5.75	4.12	18.75	16.70	16.70

Clearances				Gas Pressure				Total Input	
Entry		Installation		Supply (min.)		Operating			
Crated	Uncrated	Sides	Rear	NAT	PRO	NAT	PRO	BTU/Hr	kW
47-1/2" (1207mm)	40-3/4" (1035mm)	6" (152mm)	3" (76mm)	7.0" WC	11.0" WC	3.5" WC	3.5" WC	99,000	29.1

Form# XG36 (01/09/12)