



HD COOKLINE COUNTERTOP CHARBROILERS SERIES: BPHCB & BPHCRB



Bakers Pride® BPHCB and BPHCRB series charbroilers are designed for heavy-duty broiling in a low-profile, countertop design. Models come in a range of widths (from 24" to 72") with from four to twelve burners. All models feature heavy-duty construction and high-output 20,000 BTUH burners for maximum performance.

The BPHCB models come standard with cast-iron radiants to ensure consistent temperatures over long hours of use, but are also available with optional Glo-Stones. On the BPHCRB models, Glo-Stones are standard to provide enhanced flavor and grilling ambiance. Standard grates are cast iron, or choose floating rod or meat grates at no extra charge. Grates may be adjusted in three separate titling positions for increased flexibility and temperature control.

This series also offers many options to suit your needs, such as removable griddle plates and work decks for added convenience.

FEATURES AT A GLANCE

- 15.06" (383 mm) tall
- Glo-Stones (standard on BPHCRB only)
- Heavy-duty, clog-proof burners
- 20,000 BTUH per burner
- Cast-iron grates (standard) or floating rod, fish, or meat grates
- Grates are 22.75" (578 mm) long with .87" (22 mm) rib spacing
- Natural gas or liquid propane
- Adjustable grates with three titling positions
- Cast-iron radiants
- All stainless steel exterior, water pans, and 4" (102 mm) legs
- 3/4" (19 mm) NPT rear gas connection
- Two-year limited warranty

OPTIONS & ACCESSORIES

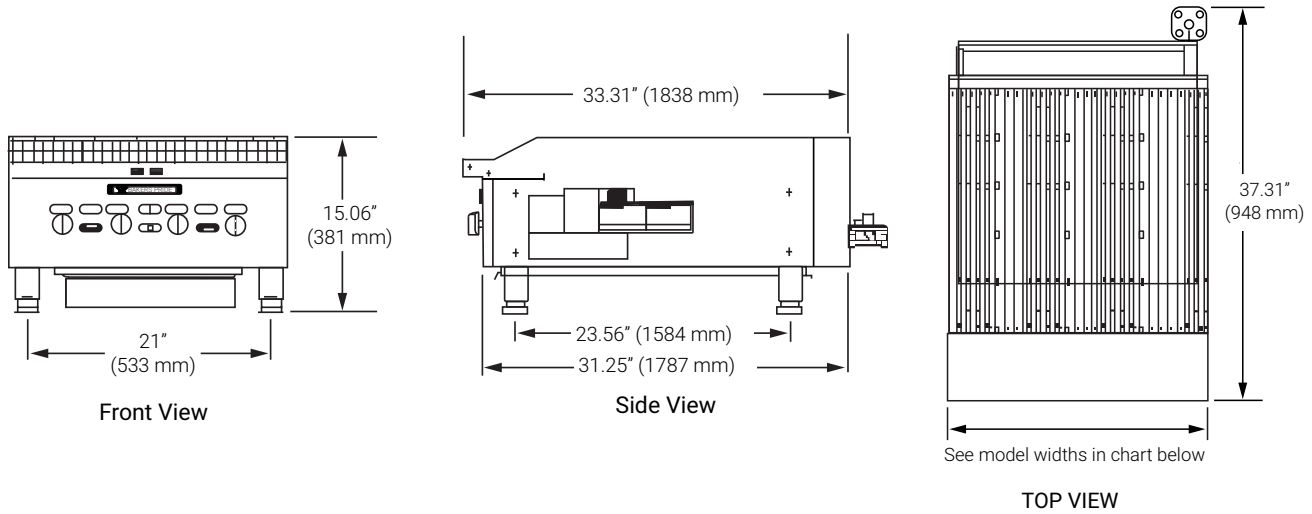
- Glo-Stones (optional on BPHCB)
- Flame failure safety pilot and CE approval
- Stainless steel front-mounted work deck (with or without saucepan cut-outs)
- Gas connector hose
- Removable griddle plates
- Grate lifters
- Stainless steel equipment stand
- Richlite front-mounted work deck (with or without saucepan cut outs)



HD COOKLINE COUNTERTOP CHARBROILERS

SERIES: BPHCB & BPHCRB

EQUIPMENT DIMENSIONS



MECHANICAL SPECIFICATIONS

Model #	BTU	# Grates	# Burners	Broiling Area	Overall Dim (W x H x D)	Carton Dim (W x H x D)	Cubic Feet	Cubic Feet	Ship Wt.
BPHCB-2424i & BPHCRB-2424i	80,000	4	4	21.5" x 24" (546 x 610)	24" x 15.06" x 33.25" (610 x 383 x 846)				167 (76kg)
BPHCB-2436i & BPHCRB-2436i	120,000	6	6	21.5" x 36" (546 x 914)	36" x 15.06" x 33.25" (915 x 383 x 846)				225 (102kg)
BPHCB-2448i & BPHCRB-2448i	160,000	8	8	21.5" x 48" (546 x 1219)	48" x 15.06" x 33.25" (1219 x 383 x 846)				335 (152kg)
BPHCB-2460i & BPHCRB-2460i	200,000	10	10	21.5" x 60" (546 x 1524)	60" x 15.06" x 33.25" (1524 x 383 x 846)				478 (217kg)
BPHCB-2472i & BPHCRB-2472i	240,000	12	12	21.5" x 72" (546 x 1829)	72" x 15.06" x 33.25" (1829 x 383 x 846)				613 (278kg)

*Height includes 4" (102 mm) legs. Depth includes 4" gas regulator.

REQUIRED CLEARANCES

	Combustible
Left	10" (254 mm)
Right	10" (254 mm)
Back	10" (254 mm)

GAS CONNECTIONS

Natural or LP gas
3/4" NPT rear gas connection

Bakers Pride Oven Company, LLC is a wholly owned subsidiary of Standex International Corporation.

Bakers Pride reserves the right to modify specifications or discontinue models without incurring obligation. Dimensions nominal.



Freight Class: 70
FOB: Allen, 75013

11.13.2017

