



## HEARTHBAKE SERIES COUNTERTOP ELECTRIC OVENS

### SERIES: PX



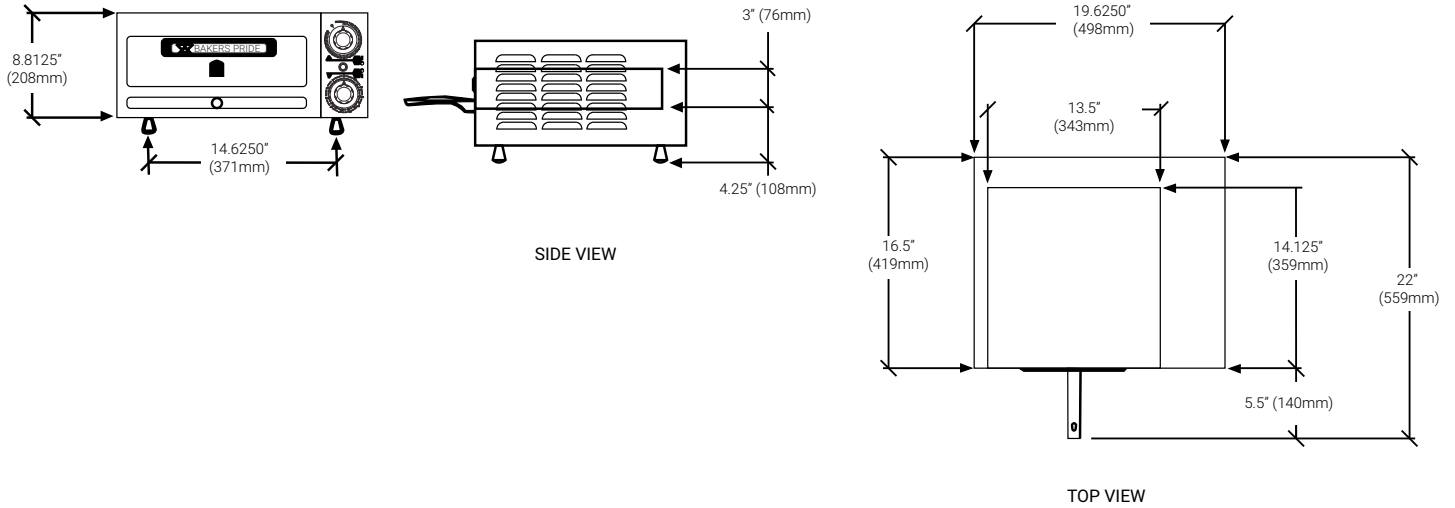
The Bakers Pride® PX series oven is designed for warming and finishing a variety of precooked items, such as hot wings and pizza and pretzels with prebaked crust. Models are available in two different widths and offer a 3" deck height. Other features include independent top and bottom heat control, a slide-out wire baking rack, and a 15-minute, electric timer with continuous-ring alarm and manual shut-off. All models come with stainless steel exteriors and 1" black legs. International voltages are available.

#### FEATURES AT A GLANCE

- 1500 or 1800 watts
- 19.62" or 24" widths
- 284–680°F (140–360°C) temperature range
- 15-minute electric timer with continuous-ring alarm and manual shut-off
- Independent top and bottom controlled incoloy heating elements
- 3" (76 mm) deck height
- One wire rack with handle
- Pull-out steel crumb tray
- All stainless steel exterior
- 1" (25 mm) black phenolic legs
- One high-heat, fully welded, aluminized steel baking chamber
- Fully insulated
- 6' (1829 mm) cord and plug
- 1" (25 mm) black phenolic legs
- One-year limited warranty

#### OPTIONS & ACCESSORIES

**EQUIPMENT DIMENSIONS**



**MECHANICAL SPECIFICATIONS**

| Model # | Overall Dim (W x H x D)*                    | Deck Height  | Rack Size (W x D)              | Decks | Baking Chambers | Thermostat Range          | Carton Dim (W x H x D)               | Cubic Feet | Cubic Meter | Ship Wt.     |
|---------|---|--------------|--------------------------------|-------|-----------------|---------------------------|--------------------------------------|------------|-------------|--------------|
| PX-14   | 19.62" x 8.18" x 16.5"<br>(498 x 208 x 419) | 3"<br>(76kg) | 13.25" x 13.87"<br>(337 x 352) | 1     | 1               | 284°-680°F<br>(140-36°C)  | 24" x 12" x 22"<br>(610 x 305 x 559) | 3.7        | .11         | 49<br>(22kg) |
| PX-16   | 24" x 8.18" x 20.5"<br>(610 x 208 x 521)    | 3"<br>(76kg) | 17.62" x 17.87"<br>(448 x 454) | 1     | 1               | 284°-680°F<br>(140-360°C) | 30" x 12" x 26"<br>(762 x 305 x 660) | 5.4        | .16         | 69<br>(31kg) |

\*Height excludes legs, depth excludes handle

**POWER SUPPLY**

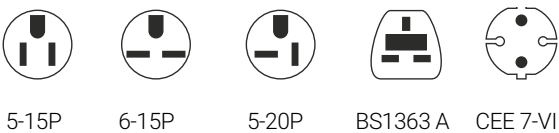
| Model # | Watts | Voltage | Phase | Amps | Plug Style |         |          |
|---------|-------|---------|-------|------|------------|---------|----------|
|         |       |         |       |      | USA        | UK      | Europe   |
| PX-14   | 1500  | 120     | 1     | 12.5 | 5-15P      | N/A     | N/A      |
|         | 1500  | 208/240 | 1     | 7.2  | 6-15P      | BS1363A | CEE7-VII |
| PX-16   | 1800  | 120     | 1     | 15.0 | 5-20P      | N/A     | N/A      |
|         | 1800  | 208/240 | 1     | 8.7  | 6-15P      | BS1363A | CEE7-VII |

**REQUIRED CLEARANCES**

Left 3" (76 mm)  
Right 3" (76 mm)  
Back 3" (76 mm)

In European Community Countries and North America. In NON-COMBUSTABLE locations only.

In European Community Countries only in COMBUSTIBLE locations. NOT for North America.



Bakers Pride Oven Company, LLC is a wholly owned subsidiary of Standex International Corporation.

Bakers Pride reserves the right to modify specifications or discontinue models without incurring obligation. Dimensions nominal.



Freight Class: 100  
FOB: Allen, 75013