

VANTAGE SERIES GAS DECK OVEN

Specifications

Bakers Pride Vantage Series gas Deck Ovens are designed for high volume pizza and all-purpose operations.

Ovens may be stacked two high. Oven exteriors are all heavy-gauge. Aluminized sides are fully insulated up to 5" (127mm) thick for cooler outer temperatures and consistent interior temperatures.

Oven interiors are manufactured of high-heat resistant 16-gauge aluminized steel. Doors are fully insulated, spring balanced with tubular steel handles and will remain open or closed until moved.

Vantage Series features a 300°-650°F (149°-343°C) throttling snap action thermostat, 8" (203mm) interior deck height with 2" (51mm) FibraMent hearth decks and are supported by a 1/4" (6mm) angle iron frame.

Manual gas valve, pilot safety and pressure regulator. A 3/4" (19mm) NPT gas connection is located on left rear of oven.

Heavy gauge stand is standard and finished with durable Bakertone.

1 Year limited parts and labor warranty standard.

Standard Features

- 120,000 BTUH per deck, natural or LP gas
- 300°-650°F (149°-343°C) throttling thermostat
- Combination gas controls with valve, regulator & pilot safety
- 8" (203mm) interior deck heights with 2" (51mm) FibraMent hearth decks
- Stainless steel front
- Aluminized steel interiors
- Spring balanced, fully insulated door
- Rear gas connection
- Fully insulated throughout

Gas Deck Ovens

- Model V600 – Single
- Model V602 – Double
- Model V800 – Single
- Model V802 – Double



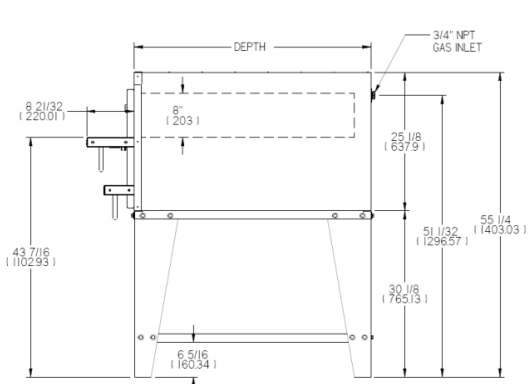
Options & Accessories

- Stand with casters
- Brick lined interior
- Draft flue for direct vent (not available on CE units)

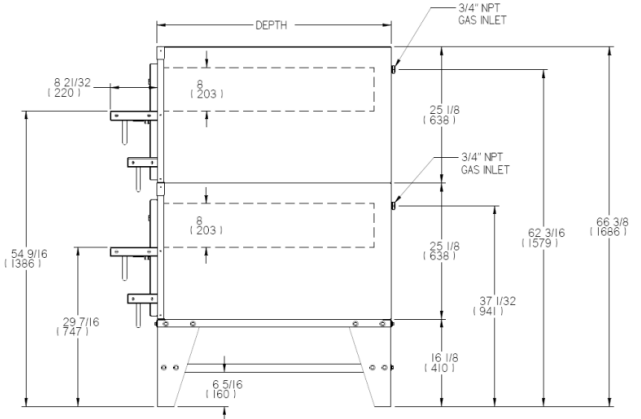
Certifications



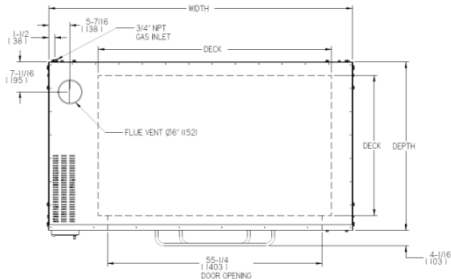
VANTAGE SERIES GAS DECK OVEN



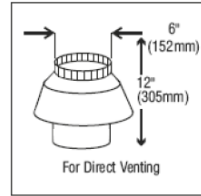
SIDE VIEW - SINGLE



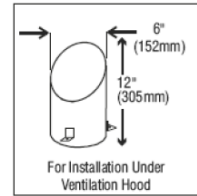
SIDE VIEW - DOUBLE



TOP VIEW



MUST BE SPECIFIED AT TIME OF ORDER



STANDARD

ALL DIMENSIONS NOMINAL

| SHIPPING INFORMATION | | | | | | | | | | |
|----------------------|-----------------|-------|-------------------|-----|-------|------|--------|------|------------|-------------|
| Model | SHIPPING WEIGHT | | CARTON DIMENSIONS | | | | | | Crate size | |
| | Lbs | Kilos | Width | | Depth | | Height | | Cubic Feet | Cubic Meter |
| | | | In | mm | In | mm | In | mm | | |
| V600 | 1250 | 568 | 31 | 787 | 53 | 1364 | 82 | 2083 | 76 | 2.4 |
| V800 | 1504 | 683 | 31 | 787 | 60 | 1365 | 86 | 2184 | 78 | 2.8 |

| GAS SUPPLY | | | |
|------------|---------|-------|------------|
| Model | BTUH | KW | Connection |
| V600 | 120,000 | 35.15 | 3/4" |
| V602 | 240,000 | 70.30 | 3/4" |
| V800 | 120,000 | 35.15 | 3/4" |
| V802 | 240,000 | 70.30 | 3/4" |

| SPECIFICATIONS | | | | | | | | | | |
|----------------|-----------|----------|------------|--------------------|------|----------|------|---------|------|--|
| Model | DECK SIZE | | | OVERALL DIMENSIONS | | | | | | |
| | In | mm | # of Decks | Width | | Depth | | Height | | |
| | | | | In | mm | In | mm | In | mm | |
| V600 | 60x36 | 914x1524 | 1 | 78 1/8" | 1984 | 43 3/16" | 1097 | 55 1/4" | 1403 | |
| V602 | 60x36 | 711x711 | 2 | 78 1/8" | 1984 | 43 3/16" | 1097 | 66 3/8" | 1676 | |
| V800 | 66x44 | 711x711 | 1 | 84 1/8" | 2136 | 51 3/16" | 1300 | 55 1/4" | 1403 | |
| V802 | 66x44 | 711x711 | 2 | 84 1/8" | 2136 | 51 3/16" | 1300 | 66 3/8" | 1676 | |

| MINIMUM CLEARANCES | | | | |
|--------------------|-------------------------------|----|----------------------------|----|
| | Non-Combustible Construction* | | Combustible Construction** | |
| | Inches | mm | Inches | Mm |
| Left Side | 0 | 0 | 3 | 76 |
| Right Side | 0 | 0 | 1 | 25 |
| Rear | 2 | 51 | 3 | 76 |

*In European Community countries and North America in NON-COMBUSTIBLE locations only
 **In European Community only in COMBUSTIBLE locations. NOT for North America