

## VANTAGE SERIES GAS DECK OVEN

### Specifications

Bakers Pride Vantage Series gas Deck Ovens are designed for high volume pizza and all-purpose operations.

Ovens may be stacked two high. Oven exteriors are all heavy-gauge. Aluminized sides are fully insulated up to 5" (127mm) thick for cooler outer temperatures and consistent interior temperatures.

Oven interiors are manufactured of high-heat resistant 16-gauge aluminized steel. Doors are fully insulated, spring balanced with tubular steel handles and will remain open or closed until moved.

Vantage Series features a 300°-650°F (149°-343°C) throttling snap action thermostat, 8" (203mm) interior deck height with 2" (51mm) FibraMent hearth decks and are supported by a 1/4" (6mm) angle iron frame.

Manual gas valve, pilot safety and pressure regulator. A 3/4" (19mm) NPT gas connection is located on left rear of oven.

Heavy gauge stand is standard and finished with durable Bakertone.

1 Year limited parts and labor warranty standard.

### Standard Features

- 120,000 BTUH per deck, natural or LP gas
- 300°-650°F (149°-343°C) throttling thermostat
- Combination gas controls with valve, regulator & pilot safety
- 8" (203mm) interior deck heights with 2" (51mm) FibraMent hearth decks
- Stainless steel front
- Aluminized steel interiors
- Spring balanced, fully insulated door
- Rear gas connection
- Fully insulated throughout

### Gas Deck Ovens

- Model V600 – Single
- Model V602 – Double
- Model V800 – Single
- Model V802 – Double



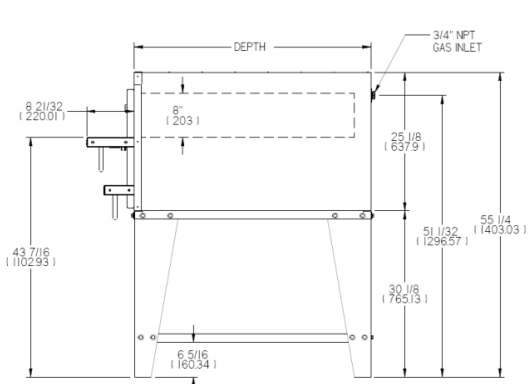
### Options & Accessories

- Stand with casters
- Brick lined interior
- Draft flue for direct vent (not available on CE units)

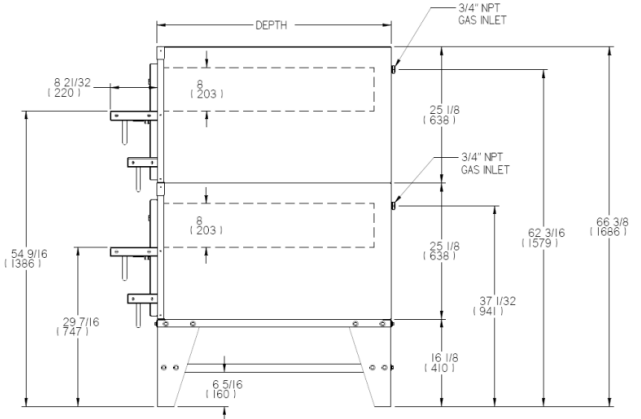
### Certifications



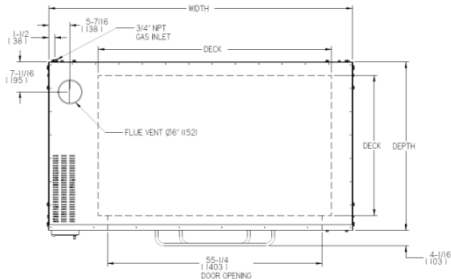
# VANTAGE SERIES GAS DECK OVEN



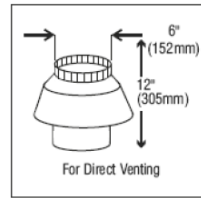
**SIDE VIEW - SINGLE**



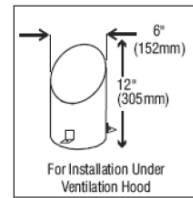
**SIDE VIEW - DOUBLE**



**TOP VIEW**



**MUST BE SPECIFIED AT TIME OF ORDER**



**STANDARD**

ALL DIMENSIONS NOMINAL

| SHIPPING INFORMATION |                 |       |                   |     |       |      |        |      |            |             |
|----------------------|-----------------|-------|-------------------|-----|-------|------|--------|------|------------|-------------|
| Model                | SHIPPING WEIGHT |       | CARTON DIMENSIONS |     |       |      |        |      | Crate size |             |
|                      | Lbs             | Kilos | Width             |     | Depth |      | Height |      | Cubic Feet | Cubic Meter |
|                      |                 |       | In                | mm  | In    | mm   | In     | mm   |            |             |
| V600                 | 1250            | 568   | 31                | 787 | 53    | 1364 | 82     | 2083 | 76         | 2.4         |
| V800                 | 1504            | 683   | 31                | 787 | 60    | 1365 | 86     | 2184 | 78         | 2.8         |

| GAS SUPPLY |         |       |            |
|------------|---------|-------|------------|
| Model      | BTUH    | KW    | Connection |
| V600       | 120,000 | 35.15 | 3/4"       |
| V602       | 240,000 | 70.30 | 3/4"       |
| V800       | 120,000 | 35.15 | 3/4"       |
| V802       | 240,000 | 70.30 | 3/4"       |

| SPECIFICATIONS |           |          |            |                    |      |          |      |         |      |    |
|----------------|-----------|----------|------------|--------------------|------|----------|------|---------|------|----|
| Model          | DECK SIZE |          |            | OVERALL DIMENSIONS |      |          |      |         |      |    |
|                | In        | mm       | # of Decks | Width              |      | Depth    |      | Height  |      |    |
|                |           |          |            | In                 | mm   | In       | mm   | In      | mm   | mm |
| V600           | 60x36     | 914x1524 | 1          | 78 1/8"            | 1984 | 43 3/16" | 1097 | 55 1/4" | 1403 |    |
| V602           | 60x36     | 711x711  | 2          | 78 1/8"            | 1984 | 43 3/16" | 1097 | 66 3/8" | 1676 |    |
| V800           | 66x44     | 711x711  | 1          | 84 1/8"            | 2136 | 51 3/16" | 1300 | 55 1/4" | 1403 |    |
| V802           | 66x44     | 711x711  | 2          | 84 1/8"            | 2136 | 51 3/16" | 1300 | 66 3/8" | 1676 |    |

| MINIMUM CLEARANCES |                               |    |                            |    |
|--------------------|-------------------------------|----|----------------------------|----|
|                    | Non-Combustible Construction* |    | Combustible Construction** |    |
|                    | Inches                        | mm | Inches                     | Mm |
| Left Side          | 0                             | 0  | 3                          | 76 |
| Right Side         | 0                             | 0  | 1                          | 25 |
| Rear               | 2                             | 51 | 3                          | 76 |

\*In European Community countries and North America in NON-COMBUSTIBLE locations only  
 \*\*In European Community only in COMBUSTIBLE locations. NOT for North America