

Champion®

The Dishwashing Machine Specialists

Project _____
Item No. _____
Quantity _____

MODEL 44 RACK CONVEYOR

STANDARD FEATURES

- One-piece cast stainless steel upper & lower spray arm assemblies
- Internal removable scrap basket and two-piece scrap screen
- Standard vertical opening accommodates 18" x 26" sheet pans
- Wide 26" leakproof doors, internally-fitted
- Anti-jam conveyor drive system
- Energy Sentinel (Idle pump shut-off)
- Convenient top-mounted controls
- Automatic tank fill
- Common utility connections
- Door safety switch
- Door activated drain closure
- Enclosure panels (front and sides)
- Splash shields
- Low-water tank heat protection
- Rinse-saver device
- Stainless steel heavy-gauge construction, including base and feet
- Electric tank heat
- Wash pump 2 Hp motor
- Stainless steel pump and impeller

MODEL 44

44" Single Tank
High-Temperature
Rack Conveyor Dishwashing Machine



Shown with Vent Cowl
and Damper Option

SPECIFIER STATEMENT

Specified unit will be Champion Model 44 high temperature rack conveyor dishwashing machine. Constructed of Type 304 stainless steel and measuring 44" long with 20-3/4" vertical opening. Features top mounted control cabinet; upper and lower one-piece stainless steel spray arm assemblies, removable internal scrap basket with two-piece scrap screen. Large 26" wash door with front access and double-hook safety latch. Anti-jam conveyor drive system.

1 year parts and labor warranty.



2674 N. Service Road,
Jordan Station, Ontario, Canada L0R 1S0
Tel: 800/263-5798 Fax: 905/562-4618

Champion Industries, Inc.
P. O. Box 4149, Winston-Salem, NC 27115
Tel: 800/532-8591 Fax: 336/661-1979
www.championindustries.com

CH063

(1M) 1/08 Printed in U.S.A.

KaTom Restaurant Supply, Inc.



Champion[®]

The Dishwashing Machine Specialists

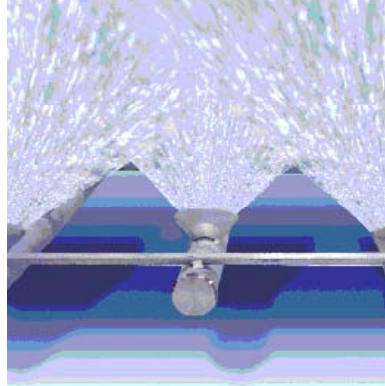
MODEL 44

44" Single Tank
High-Temperature
Rack Conveyor Dishwashing Machine

EFFICIENT NEW SPRAY SYSTEM DESIGN

To make the E-Series more efficient and more forgiving we designed a new spray arm system that includes:

- Wall-of-water spray pattern via stainless steel fluted directional spray jets for quick and efficient washing
- Easily removable spray arm assembly for ease of cleaning
- Stainless steel pump housing and impeller
- Larger tanks hold more water for better washing results



Wall-of-Water
Spray Pattern

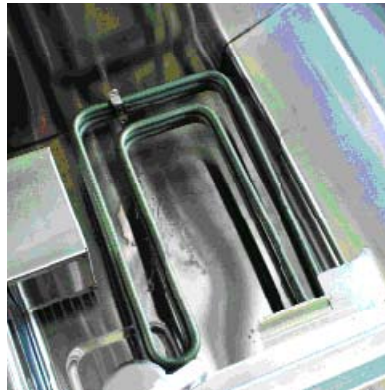


One-Piece Cast Stainless Steel
Spray Assembly

INTEGRATED BOOSTER HEATER

As well as the E-Series performs, we created a way to make it perform even better. The electric booster heater may be optional, but it is an exceptional value — engineered within the E-Series footprint to offer a variety of advantages over other booster designs, such as:

- Inter-plumbed and inter-wired
- One control shuts off washer and booster
- 27 kW for 40°F rise
- 48 kW for 70°F rise (external)
- Conductive heat transfer to wash tank
- Stainless steel booster heater lasts the life of the machine
- Integrated design saves floor space



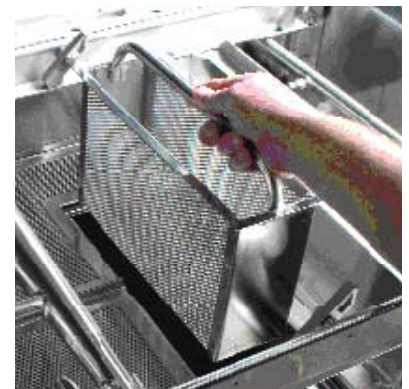
Large Heating Element



Stainless Steel
Built-in Nested Booster



Two-Piece Scrap Screen



Built-in Scrap Basket



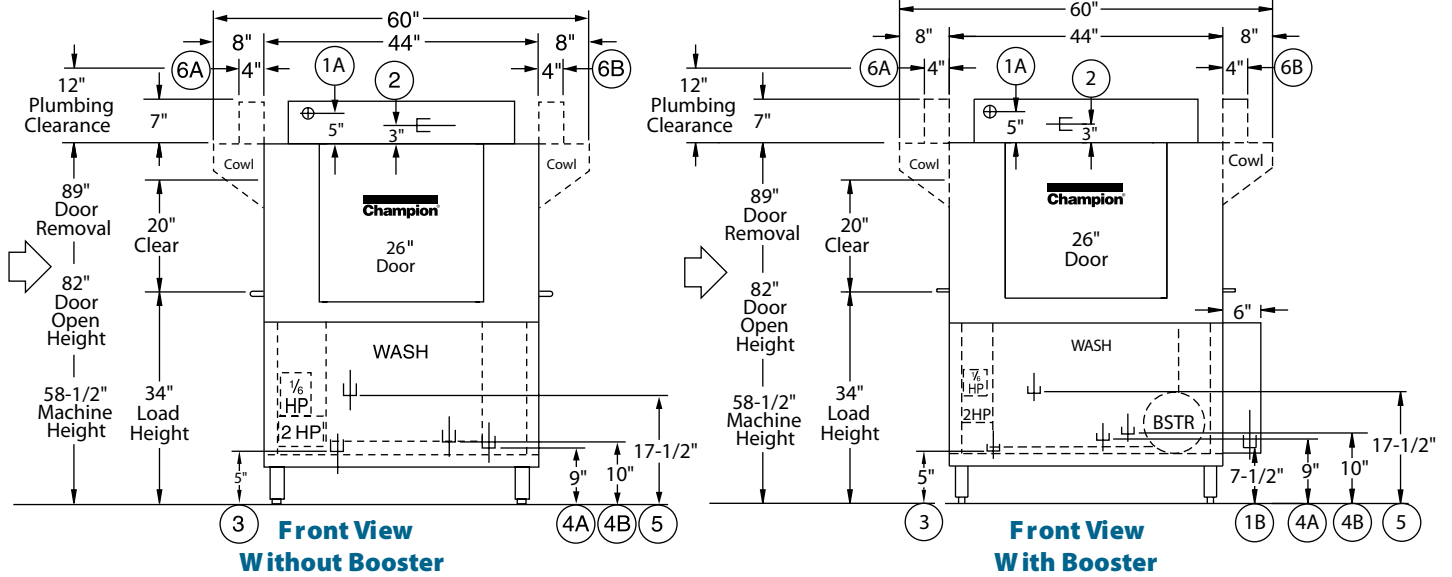
www.championindustries.com

MODEL 44

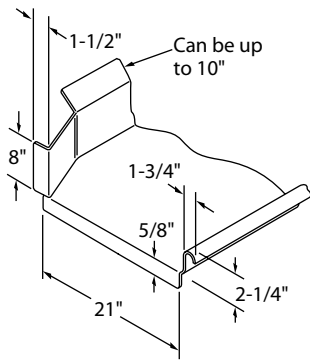
44" Single Tank
High-Temperature
Rack Conveyor Dishwashing Machine

Champion®

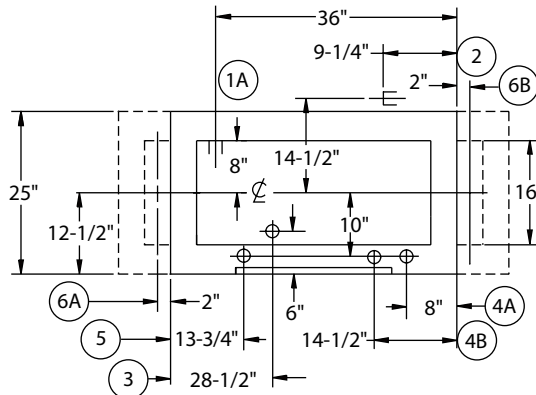
The Dishwashing Machine Specialists



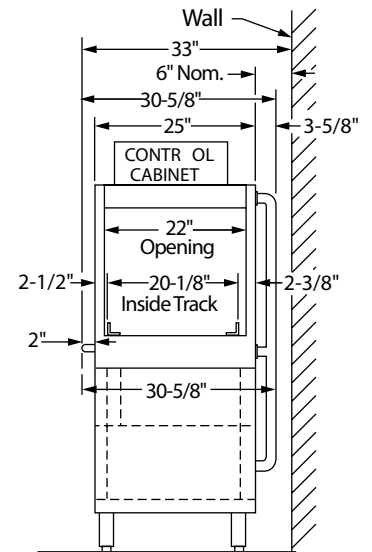
Left-to-Right Operation



Sug gested Table Construction



Plan View



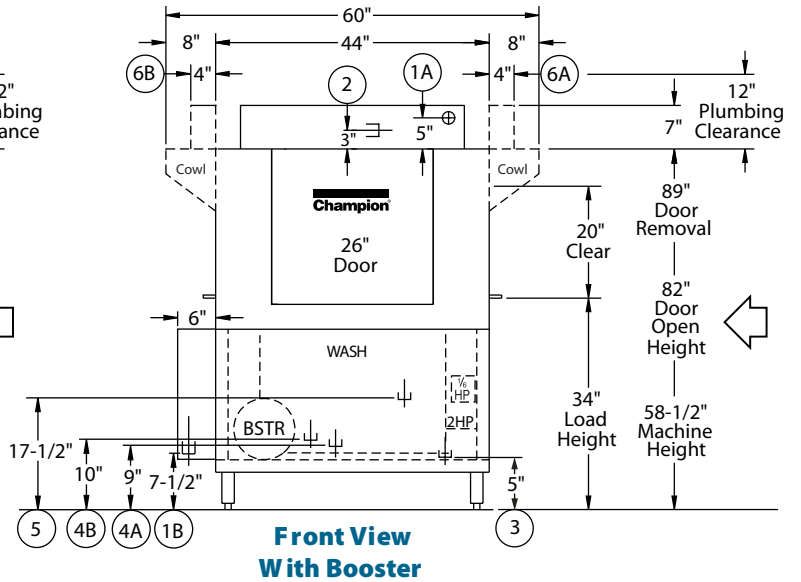
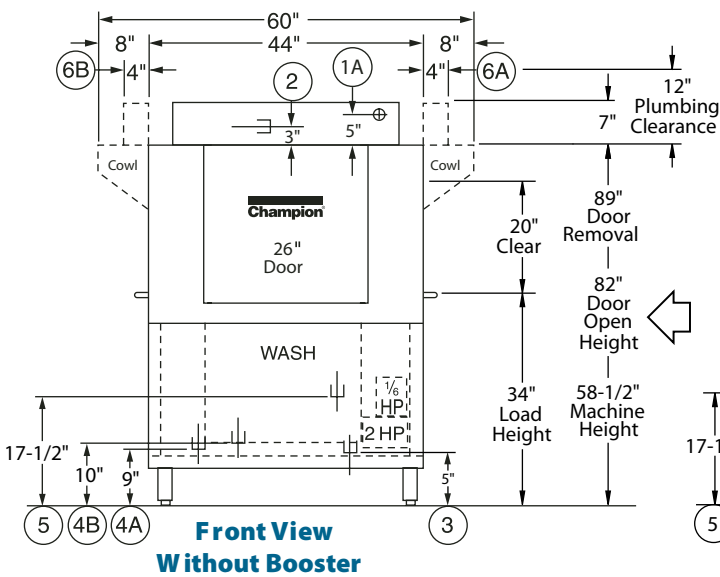
End View

MODEL 44

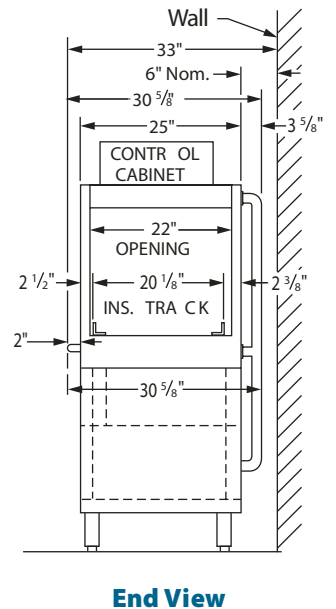
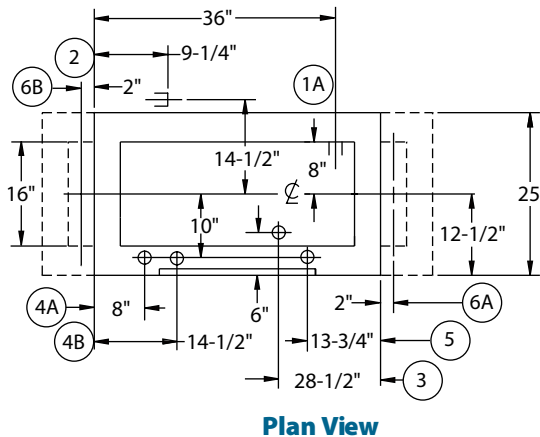
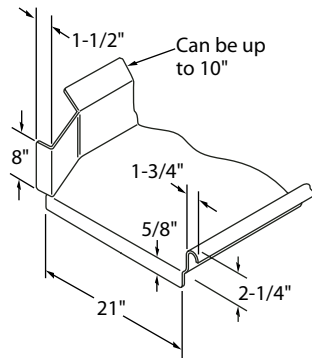
44" Single Tank
High-Temperature
Rack Conveyor Dishwashing Machine

Champion®

The Dishwashing Machine Specialists



Right-to-Left Operation



MODEL 44

44" Single Tank
High-Temperature
Rack Conveyor Dishwashing Machine

Champion®

The Dishwashing Machine Specialists

Volume crated: **130 cu. ft.**
Shipping weight crated: **600 lbs.**

Dimensions shown in inches

Utilities	
1 Electrical	A Machine connection (see Table A) B Booster connection (see Table B)
2 Hot Water	3/4" NPT 180°F/82°C min. hot water connection. (Machine without booster.) 3/4" NPT 140°F/60°C min. hot water connection. (40°F/22°C rise booster) 3/4" NPT 120°F/49°C min. hot water connection. (60°F/34°C rise booster) 3/4" NPT 110°F/49°C min. hot water connection. (70°F/39°C rise booster) Flow pressure 20-22 psi.
3 Drain	1-1/2" NPT machine connection. Maximum flow 15 gpm.
4 Steam	A 3/4" NPT machine connection. Flow pressure 15-30 PSI. (Steam coil) B 3/4" NPT machine connection. Flow pressure 15-30 PSI. (Steam injector)
5 Condensate (no back pressure)	1/2" NPT machine return to boiler
6 Vents	A Load end: 200 CFM @ 1/4" S.P. B Unload end: 400 CFM @ 1/4" S.P. (With blower-dryer increase room ventilation by 600 CFM.)

TABLE B - BOOSTER CONNECTION

40°F/22°C Rise – 27 kW Electric built-in booster (booster only)			
Elec. Specs.	Rated Amps	Minimum Supply Ckt. Conductor Ampacity	Maximum Overcurrent Protective Device
208/60/3	75	100	100
240/60/3	65	80	80
480/60/3	32	40	40
575/60/3	27	35	35

70°F/39°C Rise – 48 kW Electric built-in booster (booster only)			
Elec. Specs.	Rated Amps	Minimum Supply Ckt. Conductor Ampacity	Maximum Overcurrent Protective Device
208/60/3	133	175	175
240/60/3	115	150	150
480/60/3	58	80	80
575/60/3	48	60	60

Machine and steam built-in booster			
Elec. Specs.	Rated Amps	Minimum Supply Ckt. Conductor Ampacity	Maximum Overcurrent Protective Device
208/60/1	16	20	20
240/60/1	15	20	20
208/60/3	8	15	15
240/60/3	8	15	15
480/60/3	4	15	15
575/60/3	3	15	15

TABLE A - MACHINE CONNECTION

Machine only			
Elec. Specs.	Rated Amps	Minimum Supply Ckt. Conductor Ampacity	Maximum Overcurrent Protective Device
208/60/1	94	125	125
240/60/1	83	110	110
208/60/3	53	70	70
240/60/3	47	60	60
480/60/3	23	30	30
575/60/3	18	25	25

SPECIFICATIONS

Capacity

Racks per hr. (NSF rated)	208
Wash tank (US gal.)	21
Conveyor speed (ft./min.)	5.8

Motor Horsepower

Drive	1/6
Wash 2	

Water Consumption

US Gal. per hr. (max. use)	234
US Gal. per rack	1.12

Heating

Tank Heat, electric (kW)	15
Tank heat, steam (lbs./hr. required at 15 PSI flow pressure)	75
Electric booster (built-in) (Available 40°F rise only)	27
Electric booster (external) (kW supplied for 70°F rise)	48
Steam booster (lbs./hr. required for 40°F rise)	120
Steam booster (lbs./hr. required for 70°F rise)	205

Venting

Load end (minimum CFM)	200
Unload end (minimum CFM)	400

Standard 20" x 20" rack complement

Peg	2
Flat	1

Warning: Plumbing and electrical connections should be made by qualified personnel who will observe all the applicable plumbing, sanitary, safety codes and the National Electrical Code.

Note: Water Hammer Arrestor (meeting ASSE-1010 standard or equivalent) to be supplied (by others) in common water supply line at service connection.

Plumbing Notes: Because of the variation in house-supplied steam and water pressures, steam and water pressure regulating valves (PRVs) may be needed. (Water PRV is standard on machines with booster.) The PRVs can either be purchased from Champion or obtained locally.

Venting Notes: Fabricated duct size: 3-7/8" x 15-7/8" (Outside dimensions)

Due to an ongoing value analysis program at Champion, specifications contained in this catalog are subject to change without notice.

Champion Industries, Inc., P. O. Box 4149, Winston-Salem, NC 27115 • 800/532-8591 • Fax: 336/661-1979 • www.championindustries.com
2674 N. Service Road, Jordan Station, Ontario, Canada L0R 1S0 • 800/263-5798 • Fax: 905/562-4618

MODEL 44

44" Single Tank
High-Temperature
Rack Conveyor Dishwashing Machine

Champion®

The Dishwashing Machine Specialists

OPTIONS & ACCESSORIES

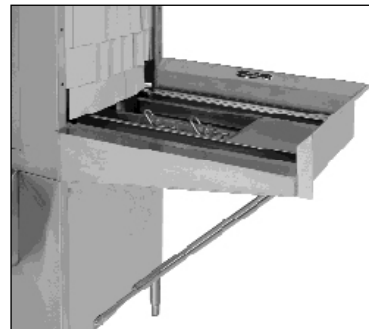
- Tank heat: choice of steam coil, steam injector, hot water coil
- Blower-dryer with 60" hood, table, legs and pawl bar assembly
- Booster Heaters
(completely interplumbed, controls are interwired)
 - Electric: 27 kW (40°F rise) (built-in 3 phase only)
 - Electric: 48 kW (External 70°F rise) (3 phase only)
 - Steam: 40°F - 70°F rise
- Cantilever sideloader (with or without hood) for 90° load operation
- Extended pawl bar (extended drive unit) for use with load tabling
- 90° Motorized rack curve (unload)
- 180° Motorized rack curve (unload)
- Racks: peg or flat racks (specify type)
- Roller conveyor table (mobile or stationary)
- Steam pressure regulating valve (unmounted)
- Table limit switch, unmounted (recommended on all rack conveyor installations)
- Vent cowl, stainless steel with 7" stack and locking damper
- Water pressure regulating valve (unmounted) (standard with booster)
- Vent fan control
- Single point electrical connection



Model MRC 180
180° Motorized
Rack Curve
*(Must be ordered with Roll
Conveyor Table)*



Model MRC 90
90° Motorized
Rack Curve
*(Must be ordered with
Roller Conveyor Table)*



**Cantilever
Sideloaders**
(No hood)

**Extended
Pawl Bar**



**Model RCT 64
or RCT 84**
Roller
Conveyor Table

Due to an ongoing value analysis program at Champion, specifications contained in this catalog are subject to change without notice.

Champion Industries, Inc., P. O. Box 4149, Winston-Salem, NC 27115 • 800/532-8591 • Fax: 336/661-1979 • www.championindustries.com
2674 N. Service Road, Jordan Station, Ontario, Canada L0R 1S0 • 800/263-5798 • Fax: 905/562-4618