

# Champion®

The Dishwashing Machine Specialists

Project \_\_\_\_\_  
Item No. \_\_\_\_\_  
Quantity \_\_\_\_\_

## STANDARD FEATURES

- One-piece cast stainless steel upper & lower spray arm assemblies
- Internal removable scrap basket and two-piece scrap screen
- Standard vertical opening accommodates 18" x 26" sheet pans
- Wide 26" leakproof doors, internally-fitted
- Anti-jam conveyor drive system
- Energy Sentinel (Idle pump shut-off)
- Convenient top-mounted controls
- Automatic tank fill
- Common utility connections
- Door safety switch
- Door activated drain closures
- Enclosure panels (front and sides)
- Splash shields
- Low-water tank heat protection
- Rinse-saver device
- Stainless steel heavy-gauge construction, including base and feet
- Electric tank heat
- Wash pump 2 Hp motor
- Stainless steel pump and impeller

**E-SERIES**

## MODEL 44 WS

44" Single Tank Water Saver  
High-Temperature  
Rack Conveyor Dishwashing Machine



Shown with Vent Cowl  
and Damper Option

## SPECIFIER STATEMENT

Specified unit will be Champion Model 44WS high temperature rack conveyor dishwashing machine. Constructed of Type 304 stainless steel and measuring 44" long with 20-3/4" vertical opening. Features top mounted control cabinet; upper and lower one-piece stainless steel spray arm assembly, removable internal scrap basket with two-piece scrap screen. Large 26" wash door with front access and double-hook safety latch. Anti-jam conveyor drive system.

1 year parts and labor warranty.



2674 N. Service Road,  
Jordan Station, Ontario, Canada L0R 1S0  
Tel: 800/263-5798 Fax: 905/562-4618

Champion Industries, Inc.  
P. O. Box 4149, Winston-Salem, NC 27115  
Tel: 800/532-8591 Fax: 336/661-1979  
[www.championindustries.com](http://www.championindustries.com)

# Champion<sup>®</sup>

The Dishwashing Machine Specialists

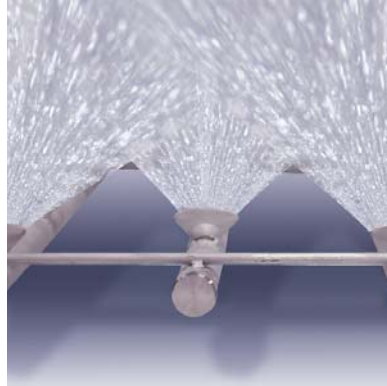
## MODEL 44 WS

44" Single Tank Water Saver  
High-Temperature  
Rack Conveyor Dishwashing Machine

### EFFICIENT NEW SPRAY SYSTEM DESIGN

To make the E-Series more efficient and more forgiving we designed a new spray arm system that includes:

- Wall-of-water spray pattern via stainless steel fluted directional spray jets for quick and efficient washing
- Easily removable spray arm assembly for ease of cleaning
- Stainless steel pump housing and impeller
- Larger tanks hold more water for better washing results



Wall-of-Water  
Spray Pattern



One-Piece Cast Stainless  
Steel Spray Assembly

### INTEGRATED BOOSTER HEATER

As well as the E-Series performs, we created a way to make it perform even better. The electric booster heater may be optional, but it is an exceptional value — engineered within the E-Series footprint to offer a variety of advantages over other booster designs, such as:

- Inter-plumbed and inter-wired
- One control shuts off washer and booster
- 15 kW for 40°F rise
- 24 kW for 70°F rise
- Conductive heat transfer to wash tank
- Stainless steel booster heater lasts the life of the machine
- Integrated design saves floor space



Large Heating Element



Stainless Steel  
Built-in Nested Booster



Two-Piece Scrap Screen



Built-in Scrap Basket

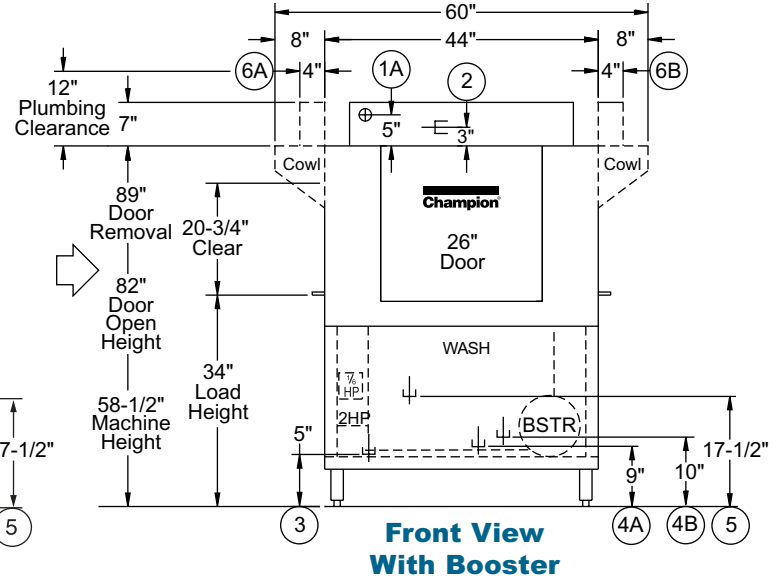
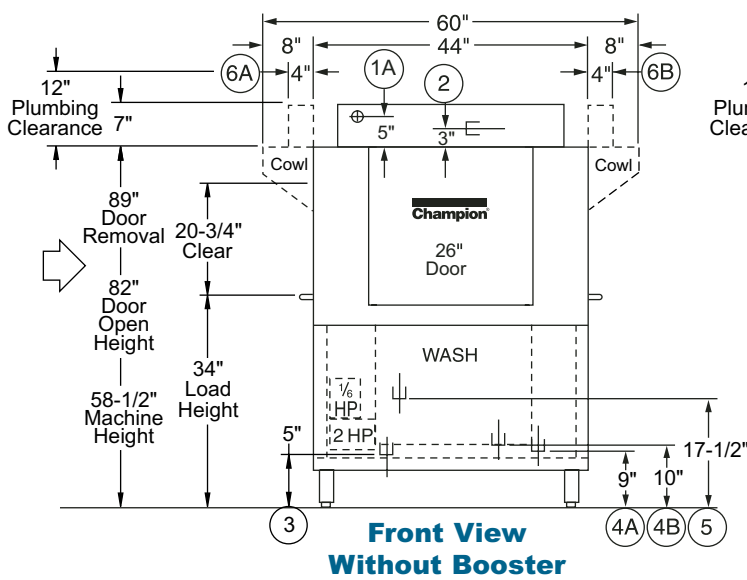


# MODEL 44 WS

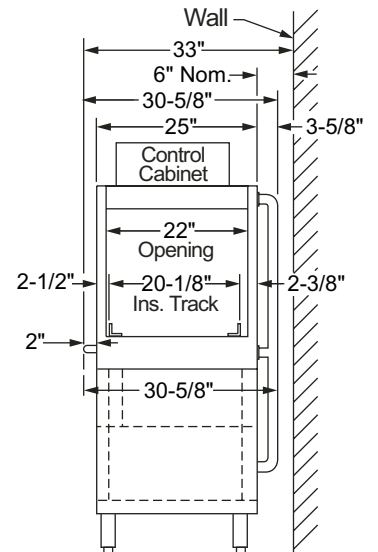
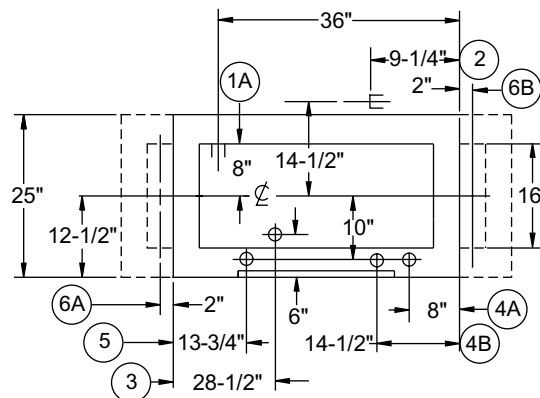
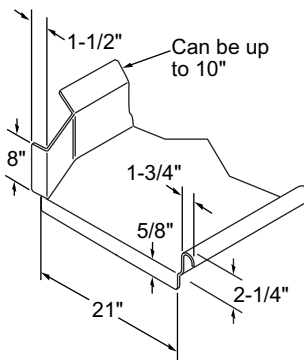
44" Single Tank Water Saver  
High-Temperature  
Rack Conveyor Dishwashing Machine

# Champion<sup>®</sup>

The Dishwashing Machine Specialists



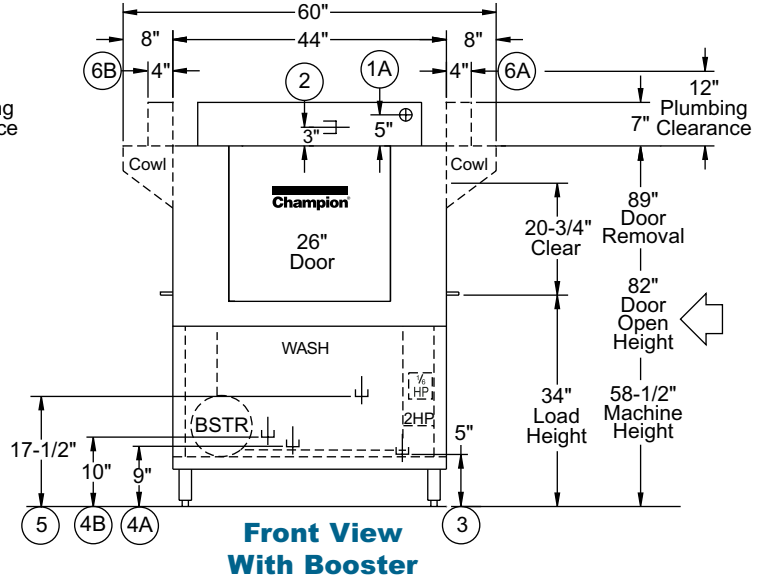
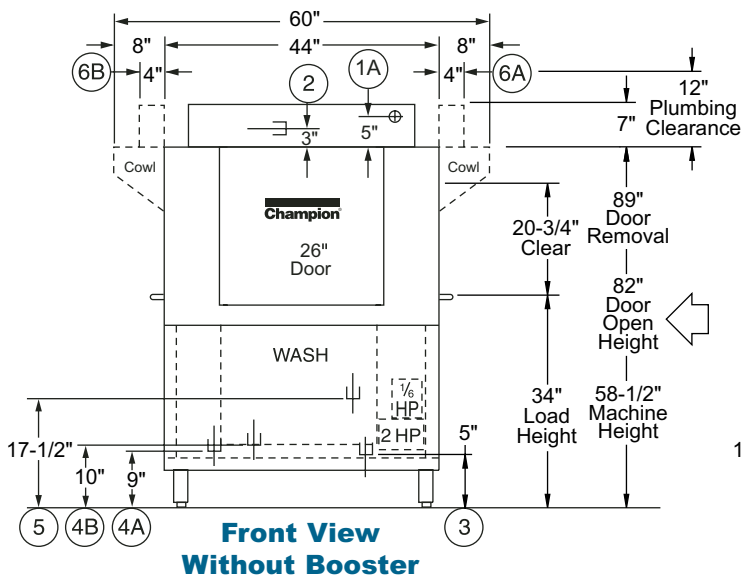
Left-to-Right Operation



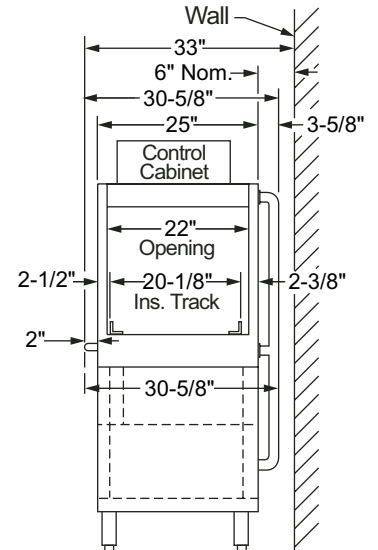
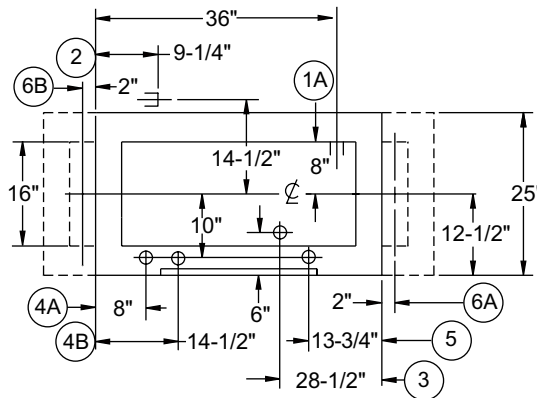
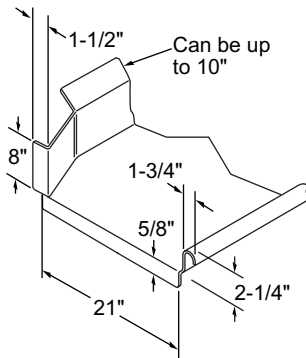
# MODEL 44 WS

44" Single Tank Water Saver  
High-Temperature  
Rack Conveyor Dishwashing Machine

**Champion**<sup>®</sup>  
The Dishwashing Machine Specialists



**Right-to-Left Operation**



# MODEL 44 WS

44" Single Tank Water Saver  
High-Temperature  
Rack Conveyor Dishwashing Machine

**Champion**<sup>®</sup>  
The Dishwashing Machine Specialists

Volume crated: **130 cu. ft.**  
Shipping weight crated: **600 lbs.**

Dimensions shown in inches

<b>Utilities</b>	
<b>1 Electrical</b>	<b>A</b> Machine connection (see Table A) <b>B</b> Machine & Booster connection (see Table B)
<b>2 Hot Water</b>	3/4" NPT 180°F/82°C Min. connection (machine w/o booster) 3/4" NPT 140°F/60°C Min. connect. (40°F/22°C rise) 3/4" NPT 110°F/39°C Min. connect. (70°F/39°C rise) Flow pressure 20-22 PSI
<b>3 Drain</b>	1-1/2" NPT machine connection. Maximum flow 15 gpm.
<b>4 Steam</b>	<b>A</b> 3/4" NPT machine connection. Flow pressure 15-30 PSI. (Steam coil) <b>B</b> 3/4" NPT machine connection. Flow pressure 15-30 PSI. (Steam injector)
<b>5 Condensate</b> (no back pressure)	1/2" NPT machine return to boiler
<b>6 Vents</b>	<b>A</b> Load end: 200 CFM @ 1/4" S.P. <b>B</b> Unload end: 400 CFM @ 1/4" S.P. (With blower-dryer increase room ventilation by 600 CFM.)

**TABLE A - MACHINE CONNECTION**

Machine only			
Elec. Specs.	Rated Amps	Minimum Supply Ckt. Conductor Ampacity	Maximum Overcurrent Protective Device
208/60/1	94	125	125
240/60/1	88	110	110
208/60/3	53	70	70
240/60/3	47	60	60
480/60/3	23	30	30
575/60/3	18	25	25

Machine and steam built-in booster 40°-70°F			
Elec. Specs.	Rated Amps	Minimum Supply Ckt. Conductor Ampacity	Maximum Overcurrent Protective Device
208/60/1	16	20	20
240/60/1	15	20	20
208/60/3	8	15	15
240/60/3	8	15	15
480/60/3	4	15	15
575/60/3	3	15	15

**TABLE B - MACHINE & BOOSTER CONNECTION**

40°F/22°C Rise – Electric built-in booster 15kW			
Elec. Specs.	Rated Amps	Minimum Supply Ckt. Conductor Ampacity	Maximum Overcurrent Protective Device
208/60/1	167	225	225
240/60/1	145	200	200
208/60/3	95	125	125
240/60/3	83	110	110
480/60/3	41	60	60
575/60/3	33	45	45

70°F/39°C Rise – Electric built-in booster 24kW			
Elec. Specs.	Rated Amps	Minimum Supply Ckt. Conductor Ampacity	Maximum Overcurrent Protective Device
208/60/1	210	250	250
240/60/1	183	225	225
208/60/3	120	150	150
240/60/3	105	150	150
480/60/3	52	70	70
575/60/3	42	60	60

## SPECIFICATIONS

### Capacity

Racks per hr. (NSF rated)	126
Wash tank (US gal.)	21
Conveyor speed (ft/min.)	3.5

### Motor Horsepower

Drive 1/6	
Wash	2

### Water Consumption

US Gal. per hr. (max. use)	124
US Gal. per rack	.98

### Temperatures °F

Wash (minimum)	160
Rinse (minimum)	180

### Heating

Tank Heat, electric (kW)	15
Tank heat, steam	
(lbs/hr. required at 15 PSI flow pressure)	75
Electric booster (built-in) (kW supplied for 40°F rise)	15
Electric booster (kW supplied for 70°F rise)	24
Steam booster (lbs./hr. required for 40°F rise)	60
Steam booster (lbs./hr. required for 70°F rise)	205

### Venting

Load end (minimum CFM)	200
Unload end (minimum CFM)	400

### Standard 20" x 20" rack complement

Peg 2	
Flat 1	

**Plumbing Notes:** Because of the variation in house-supplied steam and water pressures, steam and water pressure regulating valves (PRVs) may be needed. (Water PRV is standard on machines with booster.) The PRVs can either be purchased from Champion or obtained locally.

**Venting Notes:** Fabricated duct size: 3-7/8" x 15-7/8" (Outside dimensions)

**Warning:** Plumbing and electrical connections should be made by qualified personnel who will observe all the applicable plumbing, sanitary, safety codes and the National Electrical Code.

**Note:** Water Hammer Arrestor (meeting ASSE-1010 standard or equivalent) to be supplied (by others) in common water supply line at service connection.

Due to an ongoing value analysis program at Champion, specifications contained in this catalog are subject to change without notice.

Champion Industries, Inc., P. O. Box 4149, Winston-Salem, NC 27115 • 800/532-8591 • Fax: 336/661-1979 • www.championindustries.com  
2674 N. Service Road, Jordan Station, Ontario, Canada L0R 1S0 • 800/263-5798 • Fax: 905/562-4618

# MODEL 44 WS

44" Single Tank Water Saver  
High-Temperature  
Rack Conveyor Dishwashing Machine

# Champion®

The Dishwashing Machine Specialists

## OPTIONS & ACCESSORIES

- Tank heat: choice of steam coil, steam injector, hot water coil
- Blower-dryer with 60" hood, table, legs and pawl bar assembly
- Booster Heaters  
(completely interplumbed, controls are interwired)
  - Electric: 15 kW (40°F rise max.)  
(built-in 3 phase and single phase)
  - Electric: 24 kW (70°F max. rise)  
(built-in 3 phase and single phase)
  - Steam: 40°F - 70°F rise
- Cantilever sideloader (with or without hood) for 90° load operation
- Extended pawl bar (extended drive unit) for use with load tabling
- 90° Motorized rack curve (unload)
- 180° Motorized rack curve (unload)
- Prewash unit, 22" (see 66 WSPW)
- Prewash unit, 36" (see 80 WS HDPW)
- Prewash unit, 26" front feed (see 70 WS FFPW)
- Racks: peg or flat racks (specify type)
- Roller conveyor table (mobile or stationary)
- Steam pressure regulating valve (unmounted)
- Table limit switch, unmounted (recommended on all rack conveyor installations)
- Vent cowl, stainless steel with 7" stack and locking damper
- Extended Vent hood, stainless steel with 7" stack and locking damper
- Water pressure regulating valve (unmounted)  
(standard with booster)
- Vent fan control

**Model MRC 180**  
180° Motorized  
Rack Curve  
*(Must be ordered with  
Roller Conveyor Table)*



**Model MRC 90**  
90° Motorized  
Rack Curve  
*(Must be ordered with  
Roller Conveyor Table)*



**Cantilever  
Sideloaders**  
*(No hood)*

**Extended  
Pawl Bar**

**Model RCT 64  
or RCT 84**  
Roller  
Conveyor Table

