

Champion®

The Dishwashing Machine Specialists

Project _____
Item No. _____
Quantity _____

STANDARD FEATURES

- **ENERGY STAR® Qualified**
- **NEW Exclusive** Built-in booster configured for both 40° and 70° Rise
- **NEW Exclusive** Field convertible to single or three phase, 208 or 240 volt, corner or straight through operation
- Rinse Sentry – ensures 180°F final rinse
- Auto start – starts unit when doors are closed
- High temperature
- Single point connection
- High efficiency 1 HP pump
- 55 racks per hour
- Self draining pump
- Automatic tank fill
- Detergent/chemical connections
- Interchangeable upper and lower arm
- Top mounted splash proof controls
- Automatic drain valve



VERSA-CLEAN

DH2000 High Temperature
Door-type
Dishwashing Machine



VERSA-CLEAN DOOR-TYPE



OPTIONS & ACCESSORIES

- Drain Tempering Kit
- Side Panels

SPECIFIER STATEMENT

Specified unit will be Champion model Versa-Clean, DH2000 high temperature door-type dishwashing machine.

Features top mounted splash proof controls, Rinse Sentry, Auto start, interchangeable stainless steel wash and rinse arms, 55 racks/hr., .90 US gals/rack.

1 year parts and labor warranty.

Champion Industries, Inc.
P. O. Box 4149, Winston-Salem, NC 27115
Tel: 336/661-1556 Fax: 336/661-1979
www.championindustries.com

VERSA-CLEAN

DH2000 High Temperature
Door-type
Dishwashing Machine

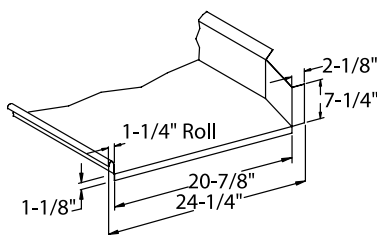
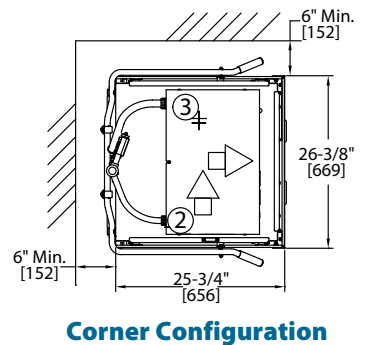
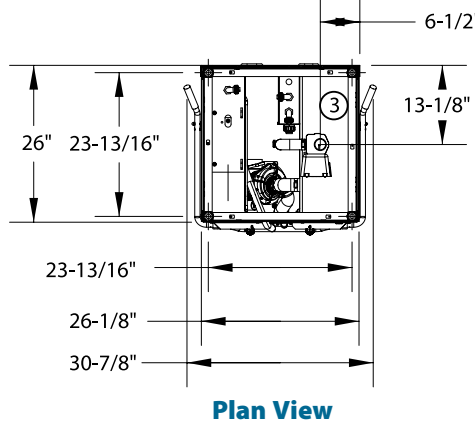
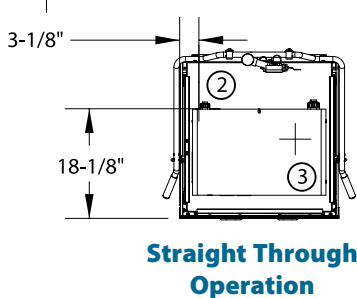
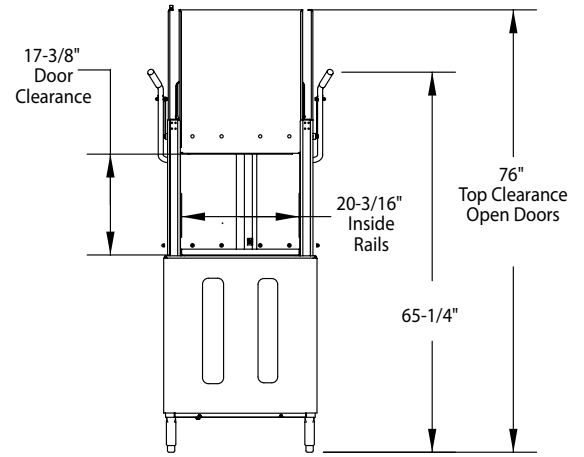
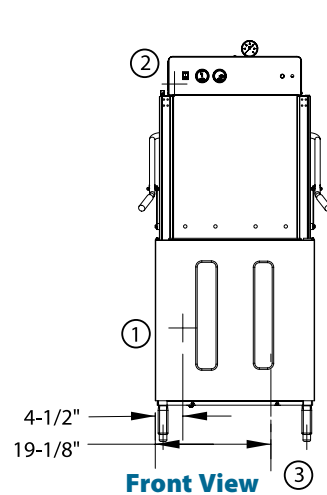
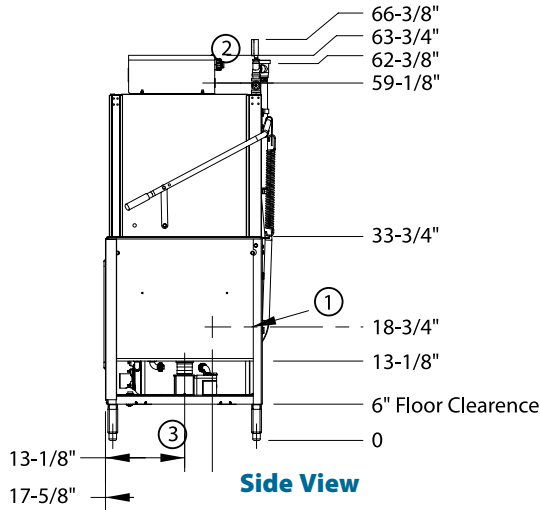


Champion®

The Dishwashing Machine Specialists

Shipping weight crated: 300 lbs.

Dimensions shown in inches



Plumbing Note: Because of variation in house-supplied water pressure, pressure regulating valves (PRV's) for incoming water may be needed. The PRV's can be purchased from Champion or obtained locally.

Utilities	
1	Water 3/4" NPT
2	Electrical A. 208-240/60/1 B. 208-240/60/3
3	Drain A. 2" fit hose

Electric 40°/70° Rise Booster				
Voltage	Rated Amps	Minimum Supply Ckt. Conductor Ampacity	Maximum Overcurrent Protective Device	
208/60/1	65	80	80	
240/60/1	75	80	80	
208/60/3	40	50	50	
240/60/3	45	50	50	

Warning: Plumbing, electrical connections should be made by qualified personnel who will observe all the applicable plumbing, sanitary and safety codes and the National Electrical Code.

SPECIFICATIONS

Capacities

Racks per hr. (NSF rated)	55
Wash tank (gal.)	9.5

Motor horsepower

1 HP

Water consumption

Gal. per hr. (max. use)	49.5
Gal. per rack	.90

Temperature °F

Wash	150
Rinse	180

Heating

Tank heat, electric	5.2 kW
Electric Booster	7.5 kW

Time cycle in seconds

Wash	40
Dwell	1
Rinse	12
Sanitary Dwell	7
Total cycle	60

'USGBC' and related logo is a trademark owned by the U.S. Green Building Council and is used by permission.

Due to an ongoing value analysis program at Champion, specifications contained in this catalog are subject to change without notice.