

# Champion®

The Dishwashing Machine Specialists

Project \_\_\_\_\_  
Item No. \_\_\_\_\_  
Quantity \_\_\_\_\_

GENESIS HOOD-TYPE

## STANDARD FEATURES

- **ENERGY STAR® Qualified**
- **NEW Exclusive** Built-in booster configured for both 40° and 70° Rise
- **NEW Exclusive** Field convertible from three to single phase or from straight to corner operation
- Rinse Sentry – ensures 180°F final rinse
- Auto start – starts unit when hood is closed
- Single point electrical connection
- High efficiency 1 HP pump
- Up to 53 racks per hour
- Self draining pump
- Automatic tank fill
- Detergent/chemical connections
- Interchangeable upper and lower spray arm
- Automatic drain valve – drains wash tank when power is off
- Vent fan control
- Bottom mounted digital controls
- PRV (Pressure Regulating Valve)
- Sloped hood keeps hot vapors away from operator
- Standard and Heavy Duty wash cycles

## Genesis

DH5000 High Temperature Hood-type Dishwashing Machine



Direct Vent



Ventless  
Heat Recovery  
Condensate Removal

# GENESIS



## OPTIONS & ACCESSORIES

- Drain Water Tempering Kit
- Direct Vent Option
- Ventless/Heat Recovery/Condensate Removal option
- Hot water coil with gas booster
- Racks
  - Peg
  - Flat

## SPECIFIER STATEMENT

Specified unit will be Champion model Genesis, DH5000 high temperature hood-type dishwashing machine.

Features sloped hood, electronic controls, Rinse Sentry, Auto start, interchangeable stainless steel wash and rinse arms, up to 53 racks/hr., .83 US gals./rack.

1 year parts and labor warranty.

Champion Industries, Inc.  
3765 Champion Blvd., Winston-Salem, NC 27105  
Tel: 336/661-1556 Fax: 336/661-1979  
[www.championindustries.com](http://www.championindustries.com)

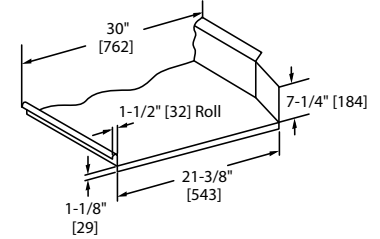
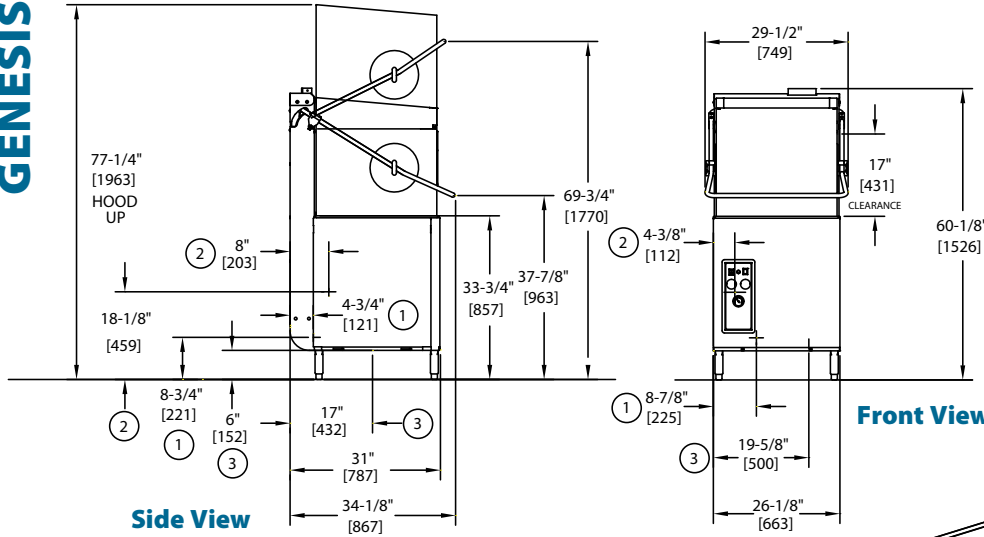
# Champion®

The Dishwashing Machine Specialists

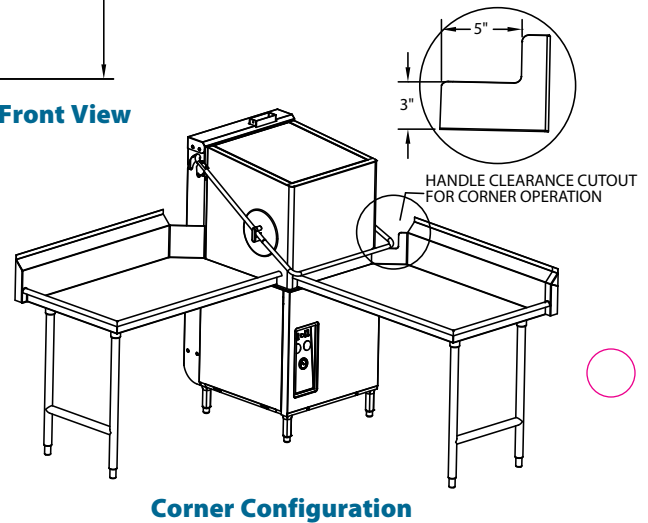
DH5000 High Temperature Hood-type Dishwashing Machine

Shipping weight crated: 300 lbs.

Dimensions shown in inches and [mm]



Typical Table Construction



Utilities	
1	<b>Electrical</b> Machine Connection (See Electrical Box)
2	<b>Hot Water</b> 1/2" NPT Hot Water 110° - 140°F 20-22 PSI Flow pressure
3	<b>Drain</b> 2" OD Connection 15 GPM max flow

**Warning:** Plumbing, electrical connections should be made by qualified personnel who will observe all the applicable plumbing, sanitary and safety codes and the National Electrical Code.

Electric Heat, No Booster			
Voltage	Rated Amps	Minimum Supply Circuit Ampacity	Maximum Overcurrent Protective Device
208-240/60/1	31-35	45	45
208-240/60/3	20-22	30	30
460-480/60/3	10	15	15

Electric Heat, 40°/70° Rise Booster			
Voltage	Rated Amps	Minimum Supply Circuit Ampacity	Maximum Overcurrent Protective Device
208-240/60/1	67-76	80	80
208-240/60/3	41-47	50	50
460-480/60/3	21-22	25	25

## SPECIFICATIONS

### Capacities

Racks per hr. (NSF rated)	53
Wash tank (gal.)	9.5

### Motor horsepower

1 HP

### Water consumption

Gal. per hr. (max. use)	44
Gal. per rack	0.83

### Temperature °F

Wash	150
Rinse	180

### Heating

Tank heat, electric	5.2 kW
Electric Booster	7.5-10 kW

### Time cycle in seconds

	Standard	Extended
Wash	35	65
Rinse	10	10
Sanitary Dwell	15	15
Total cycle	60	90

\*USGBC® and related logo is a trademark owned by the U.S. Green Building Council and is used by permission. Due to an ongoing value analysis program at Champion, specifications contained in this catalog are subject to change without notice.

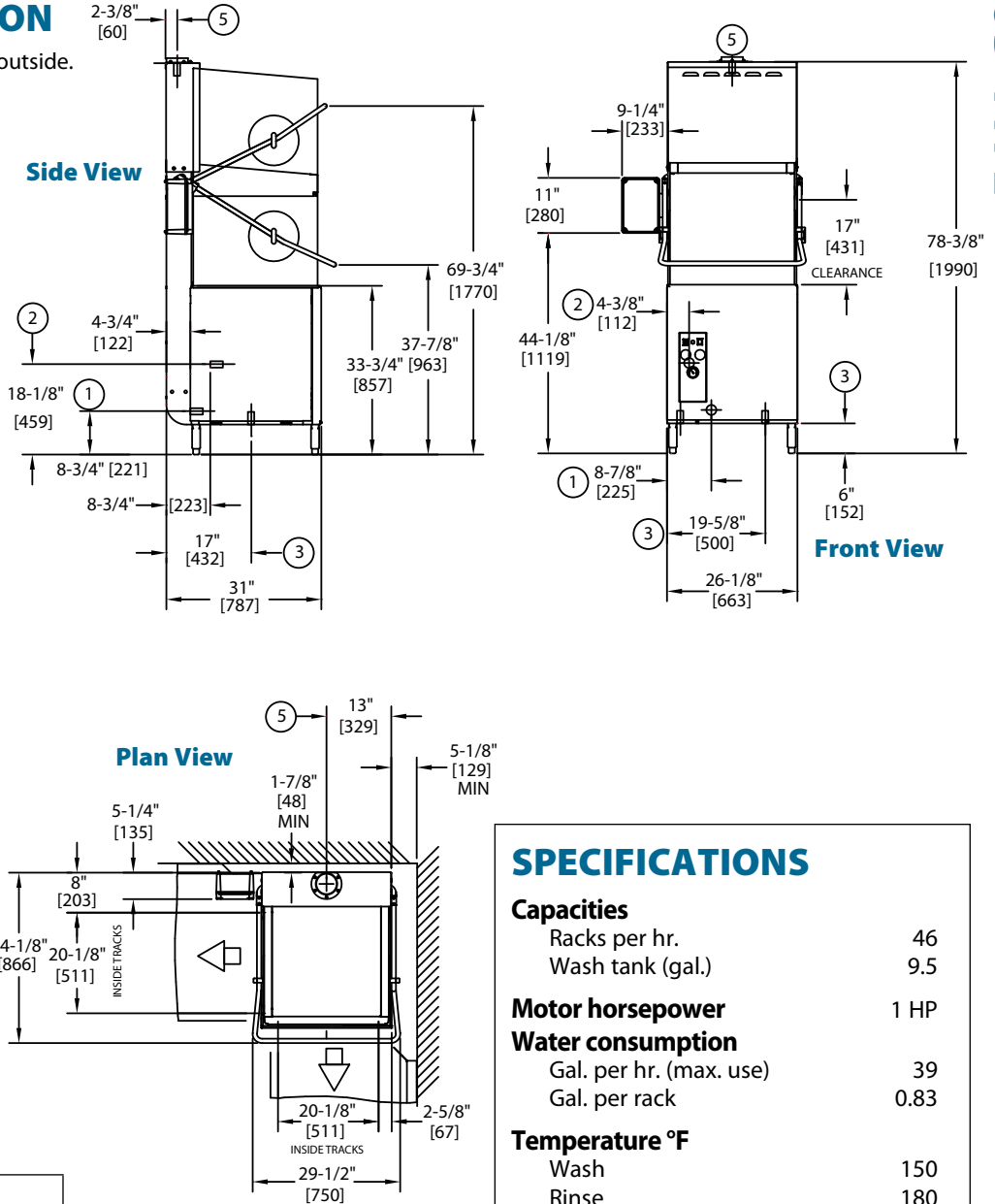
## DH5000 High Temperature Hood-type Dishwashing Machine

Shipping weight crated: 350 lbs.

Dimensions shown in inches and [mm]

### DIRECT VENT OPTION

Allows unit to vent directly to the outside.  
No vent hood required.



For standard machine dimensions see DH5000 drawing

Utilities	
<b>1 Electrical</b> Machine Connection (See Electrical Box)	
<b>2 Hot Water</b> 1/2" NPT Hot Water 110° - 140°F 20-22 PSI Flow pressure	
<b>3 Drain</b> 2" OD Connection 15 GPM max flow	
<b>5 Exhaust</b> 250 CFM Fan 4" Round Duct	

**Warning:** Plumbing, electrical connections should be made by qualified personnel who will observe all the applicable plumbing, sanitary and safety codes and the National Electrical Code.

Electric 40°/70° Rise Booster			
Voltage	Rated Amps	Min. Supply Ckt. Conductor Ampacity	Min. Overcurrent Protective Device
208-240/60/1	67-76	80	80
208-240/60/3	41-47	50	50
460-480/60/3	21-22	25	25

### SPECIFICATIONS

<b>Capacities</b>		
Racks per hr.	46	
Wash tank (gal.)	9.5	
<b>Motor horsepower</b>		
	1 HP	
<b>Water consumption</b>		
Gal. per hr. (max. use)	39	
Gal. per rack	0.83	
<b>Temperature °F</b>		
Wash	150	
Rinse	180	
<b>Heating</b>		
Tank heat, electric	5.2 kW	
Electric Booster	7.5-10 kW	
<b>Time cycle in seconds</b>		
	Standard	Extended
Wash	35	65
Rinse	10	10
Sanitary Dwell	15	15
Vent Fan	10	10
Total cycle	70	100

'USGBC' and related logo is a trademark owned by the U.S. Green Building Council and is used by permission.

Due to an ongoing value analysis program at Champion, specifications contained in this catalog are subject to change without notice.

Champion Industries, Inc., 3765 Champion Blvd., NC 27105 • 336/661-1556 • Fax: 336/661-1979 • www.championindustries.com

# GENESIS

DH5000 High Temperature Hood-type Dishwashing Machine

# Champion®

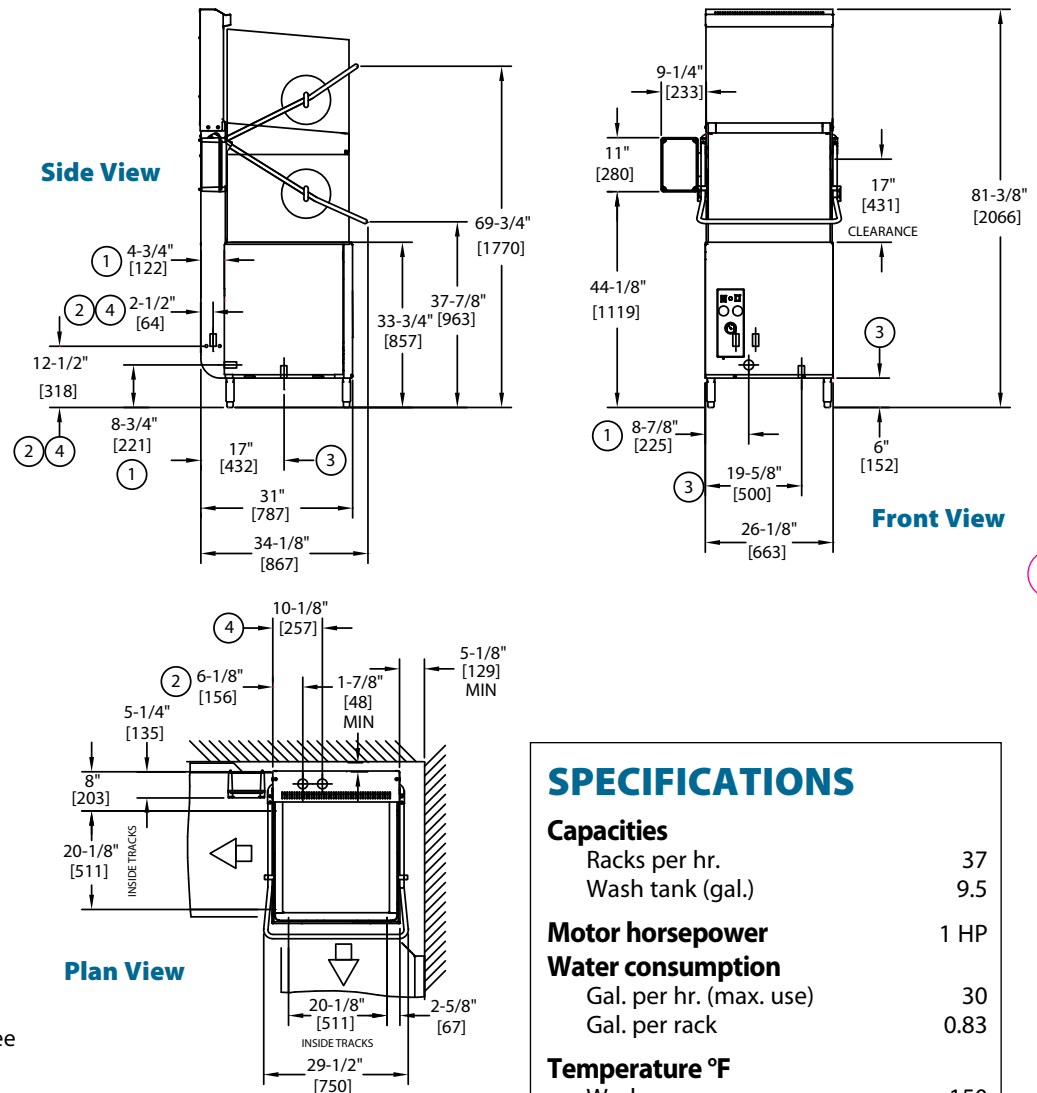
The Dishwashing Machine Specialists

Shipping weight crated: 350 lbs.

Dimensions shown in inches and [mm]

## VENTLESS/HEAT RECOVERY/CONDENSATE REMOVAL OPTION

Removes heat and water vapor at the end of the cycle while recovering the normally exhausted heat and transferring it to the booster. No vent hood required.



For standard machine dimensions see DH5000 drawing

Utilities	
<b>1 Electrical</b>	Machine Connection (See Electrical Box)
<b>2 Hot Water</b>	1/2" NPT Hot Water 110° - 140°F 20-22 PSI Flow pressure
<b>3 Drain</b>	2" OD Connection 15 GPM max flow
<b>4 Cold Water</b>	1/2" NPT Cold Water 70°F 40-45 PSI Flow pressure (machine operates at 20)

**Warning:** Plumbing, electrical connections should be made by qualified personnel who will observe all the applicable plumbing, sanitary and safety codes and the National Electrical Code.

Electric 70° Rise Booster			
Voltage	Rated Amps	Minimum Supply Ckt. Conductor Ampacity	Maximum Overcurrent Protective Device
208/60/1	79	100	100
240/60/1	90	100	100
208/60/3	48	60	60
240/60/3	54	60	60
480/60/3	22	25	25

## SPECIFICATIONS

<b>Capacities</b>		
Racks per hr.		37
Wash tank (gal.)		9.5
<b>Motor horsepower</b>		
		1 HP
<b>Water consumption</b>		
Gal. per hr. (max. use)		30
Gal. per rack		0.83
<b>Temperature °F</b>		
Wash		150
Rinse		180
<b>Heating</b>		
Tank heat, electric		5.2 kW
Electric Booster		10 kW
<b>Time cycle in seconds</b>		
	Standard	Extended
Wash	35	65
Rinse	10	10
Sanitary Dwell	15	15
Vent Fan	30	30
Total cycle	90	120

'USGBC' and related logo is a trademark owned by the U.S. Green Building Council and is used by permission.

Due to an ongoing value analysis program at Champion, specifications contained in this catalog are subject to change without notice.

Champion Industries, Inc., 3765 Champion Blvd., NC 27105 • 336/661-1556 • Fax: 336/661-1979 • www.championindustries.com