

Champion®

The Dishwashing Machine Specialists

Project _____
 Item No. _____
 Quantity _____

UH-170B UNDERCOUNTER

STANDARD FEATURES

- **ENERGY STAR® Qualified**
- **NEW "Shear Energy"** – a reduction in energy requirements while maximizing performance!
- **NEW "Multi-Power"** – includes **"Multi-Volt"** and **"Multi-Phase"**. Allows for infield conversion to 208-240 volt and/or single to three phase with ease.
- **Rinse Sentry** – extends the cycle time to ensure 180°F final rinse.
- **Built-in electric booster** for 180°F final rinse water (standard 40°F or optional 70°F rise)
- Pumped drain
- Door safety switch
- Low-water tank heat protection
- Detergent and rinse aid pump
- Quiet double-wall construction
- Independent stainless steel interchangeable upper and lower wash and rinse arms
- Fresh water rinse
- Top mounted slide-out controls
- Stainless steel top and side panels
- 90-second total cycle time
- Extended wash for difficult ware cleaning & de-liming
- Automatic drain cycle
- 1 Hp motor
- Stainless steel construction

UH-170B

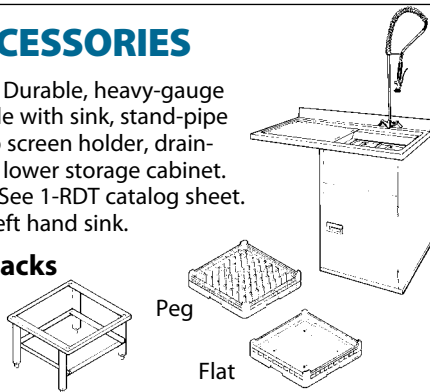
Undercounter High Temperature Dishwashing Machine with Built-in Booster Heater

UH-170 Model without Booster Heater



OPTIONS & ACCESSORIES

- 1-RDT Dish Table** Durable, heavy-gauge stainless steel dish table with sink, stand-pipe drain, removable scrap screen holder, drain-board, backsplash and lower storage cabinet. Sprayhose is optional. See 1-RDT catalog sheet. Specify right hand or left hand sink.
- Additional Dish Racks**
- 17" Stand**
Stainless Steel
- 6" Leg Stand**
- 3 Phase Connection (prewired at factory)**
- 70°F Rise Booster**
- UH170 without Booster**
- 1" Roller Kit (includes 4 casters)**



SPECIFIER STATEMENT

Specified unit will be Champion model UH-170B undercounter high temperature dishwashing machine with built-in booster heater.

Features 90 second total cycle, extended wash, analog controls, Rinse Sentry, detergent and rinse aid pump, top and side panels. Constructed of stainless steel. 1 year parts and labor warranty.

Champion Industries, Inc.
 3765 Champion Blvd, Winston-Salem, NC 27105
 Tel: 336/661-1556 Fax: 336/661-1979
www.championindustries.com

CH086

(1M) 9/10 Printed in U.S.A.



UH-170B

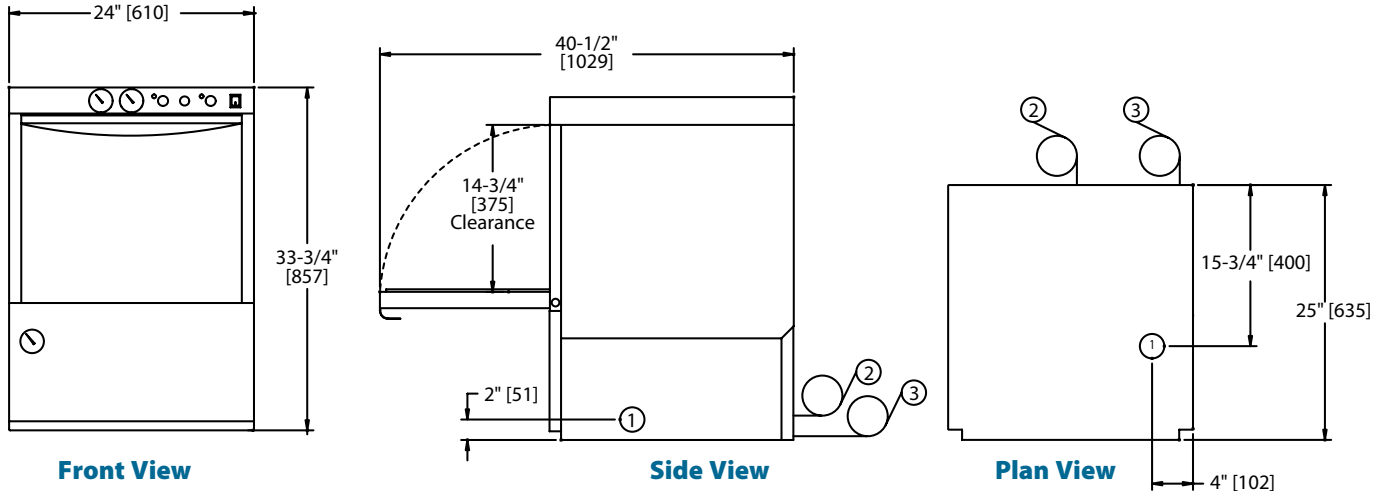
Undercounter High Temperature Dishwashing Machine with Built-in Booster Heater

Champion®

The Dishwashing Machine Specialists

Dimensions shown in inches and [millimeters]

Volume crated: 15 cu. ft.
Shipping weight crated: 215 lbs.



Utilities	
1	Electrical 208-240/60/1; 3 wire plus ground, (See Box). 208-240/60/3; 4 wire plus ground, (See Box). Field convertible to accept 3 phase power, see service manual for details
2	Hot Water 1/2" supply; 140°F Min. hot water connection for 40°F rise booster; 110°F Min. hot water connection for 70°F rise booster. Incoming supply pressure must maintain a Flow pressure 20-22 PSI (Pressure reducing valve, PRV, supplied by customer or may be purchased unmounted from Champion). Machine equipped with 3/4" hose connector.
3	Pumped Drain 5/8" I.D. flexible reinforced hose, 6 ft. long. Max. drain flow 15 US gpm. Max. drain height 3 ft.

SPECIFICATIONS

Capacities	
Cycle time (seconds)	90
Racks per hr. (NSF)	30
Motor horsepower	
Wash	1
Water consumption	
U.S. Gal. per hr. (Max. use)	28.2
U.S. Gal. per rack	.9
Temperatures °F	
Wash	150
Rinse	180
Heating	
Tank heat, electric, kW	2.0
Electric booster (kW) required for 40°F rise)	6
Electric booster (kW) required for 70°F rise)	9
Time Cycle in Seconds	
Wash	70
Rinse	15
Total cycle	90
Standard 20" x 20" Rack Complement	
Dish	1
Open	1

UH-170B with 40°F/22°C Rise Booster

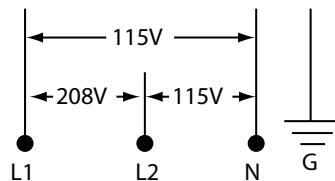
UH-170B with 70°F/39°C Rise Booster

Elec. Specs.	Rated Amps	Minimum Supply Ckt. Conductor Ampacity	Maximum Overcurrent Protective Device
208/60/1	32	40	40
240/60/1	36	40	40
208/60/3	22	30	30
240/60/3	24	30	30

Elec. Specs.	Rated Amps	Minimum Supply Ckt. Conductor Ampacity	Maximum Overcurrent Protective Device
208/60/1	45	60	60
240/60/1	50	60	60
208/60/3	29	35	35
240/60/3	33	40	40

Warning: Plumbing and electrical connections should be made by qualified personnel who will observe all the applicable plumbing, sanitary and safety codes and the National Electrical Code.

UH-170 without booster 750 watt tank heat	
Elec. Specs.	Rated Amps
115/60/1	12



Note: Electrical supply service must be a 3-wire ground for connection shown.

Due to an ongoing value analysis program at Champion, specifications contained in this catalog are subject to change without notice.

Champion Industries, Inc., 3765 Champion Blvd, Winston-Salem, NC 27105 • 336/661-1556 • Fax: 336/661-1979 • www.championindustries.com