

# Champion®

The Dishwashing Machine Specialists

Project \_\_\_\_\_  
 Item No. \_\_\_\_\_  
 Quantity \_\_\_\_\_

UH-200B UNDERCOUNTER

## STANDARD FEATURES

- Rinse Sentry – extends the cycle time to ensure 180°F final rinse.
- Built-in electric booster for 180°F final rinse water (standard 40°F or optional 70°F rise)
- Pumped drain
- Soft start wash pump
- Low-water tank heat protection
- Detergent and rinse aid pumps
- Quiet double-wall construction
- Door safety switch
- Independent stainless steel interchangeable upper and lower wash and rinse arms
- Fresh water rinse
- Top mounted slide-out controls
- Stainless steel top and side panels
- 90-second total cycle time
- Extended wash for difficult ware cleaning & de-liming
- Automatic drain cycle
- 1 Hp motor
- Digital thermometer
- Stainless steel construction
- Prime switch on control panel

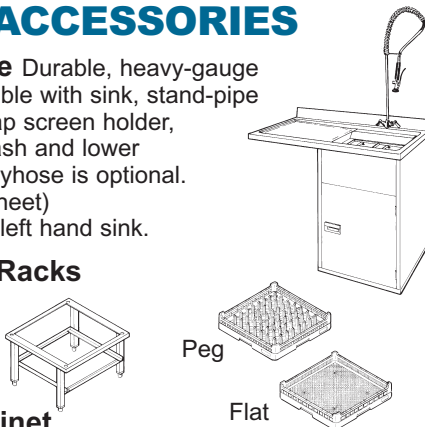
## UH-200B

Undercounter High Temperature Dishwashing Machine with Built-in Booster Heater



## OPTIONS & ACCESSORIES

- 1-RDT Dish Table** Durable, heavy-gauge stainless steel dish table with sink, stand-pipe drain, removable scrap screen holder, drain-board, backsplash and lower storage cabinet. Sprayhose is optional. See 1-RDT catalog sheet) Specify right hand or left hand sink.
- Additional Dish Racks**
- 17" Rack Stand**  
Stainless Steel
- 6" Leg Stand**
- 17" Storage Cabinet**
- 3 Phase Connection**
- 70°F Rise Booster**



## SPECIFIER STATEMENT

Specified unit will be Champion model UH-200B undercounter high temperature dishwashing machine with built-in booster heater.

Features 90 second total cycle, extended wash, LED temp display, Rinse Sentry, rinse aid and detergent pumps, flexible fill and drain hoses, stainless steel top and side panels. Constructed of Type 304 stainless steel.

1 year parts and labor warranty.

Champion Industries, Inc.  
 P. O. Box 4149, Winston-Salem, NC 27115  
 Tel: 336/661-1556 Fax: 336/661-1979  
[www.championindustries.com](http://www.championindustries.com)

CH085



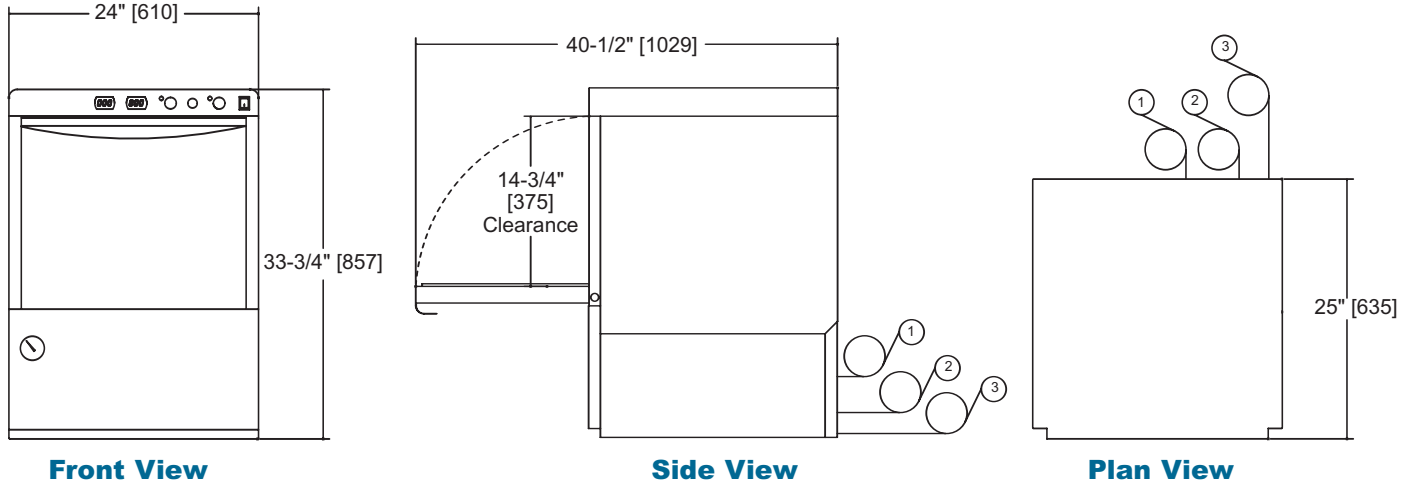
# UH-200B

Undercounter High Temperature Dishwashing Machine with Built-in Booster Heater

**Champion**<sup>®</sup>  
The Dishwashing Machine Specialists

Volume crated: **15 cu. ft.**  
Shipping weight crated: **215 lbs.**

Dimensions shown in inches



Utilities	
<b>1 Electrical</b>	115/208-240/60/1; 3 wire plus ground, (See Box) 115/208-240/60/3; 4 wire plus ground, (See Box)
<b>2 Hot Water</b>	3/4" supply; 140°F Min. hot water connection for 40°F rise booster; 110°F Min. hot water connection for 70°F rise booster. Incoming supply pressure must maintain a Flow pressure 20-22 PSI (Pressure reducing valve, PRV, supplied by customer or may be purchased unmounted from Champion). Machine equipped with 3/4" hose connector.
<b>3 Pumped Drain</b>	5/8" I.D. flexible reinforced hose, 6 ft. long. Max. drain flow 15 US gpm. Max. drain height 3 ft.

## SPECIFICATIONS

<b>Capacities</b>	
Cycle time (seconds)	90
Racks per hr. (NSF)	30
<b>Motor horsepower</b>	
Wash	1
<b>Water consumption</b>	
U.S. Gal. per hr. (Max. use)	27.9
U.S. Gal. per rack	.9
<b>Temperatures °F</b>	
Wash	150
Rinse	180
<b>Heating</b>	
Tank heat, electric, kW	1.2
Electric booster (kW) required for 40°F rise)	6
Electric booster (kW) required for 70°F rise)	9
<b>Time Cycle in Seconds</b>	
Wash	70
Rinse	15
Total cycle	90
<b>Standard 20" x 20" Rack Complement</b>	
Dish	1
Open	1

UH-200B with 40°F Rise Booster				UH-200B with 70°F Rise Booster			
Elec. Specs.	Rated Amps	Minimum Supply Ckt. Conductor Ampacity	Maximum Overcurrent Protective Device	Elec. Specs.	Rated Amps	Minimum Supply Ckt. Conductor Ampacity	Maximum Overcurrent Protective Device
115/208/60/1	36	50	50	115/208/60/1	48	60	60
115/240/60/1	38	60	60	115/240/60/1	51	70	70
*115/208/60/3	26	40	40	*115/208/60/3	33	50	50
*115/240/60/3	29	40	40	*115/240/60/3	35	50	50

\*Optional voltage – please specify when ordering

**Warning** Plumbing and electrical connections should be made by qualified personnel who will observe all the applicable plumbing, sanitary and safety codes and the National Electrical Code.