

Champion®

The Dishwashing Machine Specialists

Project _____
 Item No. _____
 Quantity _____

UL-100 UNDERCOUNTER

STANDARD FEATURES

- Pumped drain
- Door safety switch
- Low-water tank heat protection
- Built-in detergent, rinse-aid, and sanitizer dispensing pumps
- Stainless steel top and side panels
- 141 second cycle
- Wash pump, 1-Hp motor
- Stainless steel construction
- Fill and dump
- Top mounted controls
- Automatic tank fill
- Electric tank heater
- Upper & lower interchangeable wash/rinse spray arms
- Single phase connection
- One year parts and labor warranty

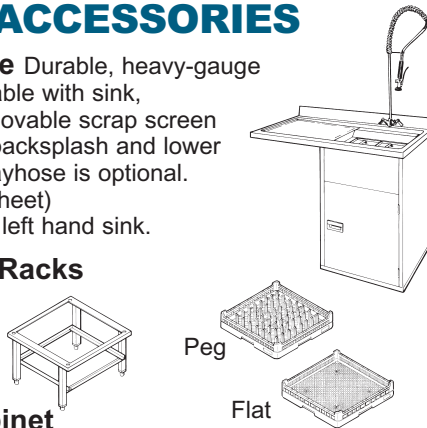
UL-100

Low Temperature
 Undercounter
 Dishwashing Machine



OPTIONS & ACCESSORIES

- 1-RDT Dish Table** Durable, heavy-gauge stainless steel dish table with sink, stand-pipe drain, removable scrap screen holder, drain-board, backsplash and lower storage cabinet. Sprayhose is optional. See 1-RDT catalog sheet) Specify right hand or left hand sink.
- Additional Dish Racks**
- 17" Rack Stand**
Stainless Steel
- 6" Leg Stand**
- 17" Storage Cabinet**



SPECIFIER STATEMENT

Specified unit will be Champion model UL-100 undercounter low temperature dishwashing machine with built-in detergent, rinse-aid, and sanitizer dispensing pumps.

Features 141 second total cycle, 1 Hp pump motor, fill and dump, pumped drain. Stainless steel top and side panels. Constructed of Type 304 stainless steel. 1 year parts and labor warranty.

Champion Industries, Inc.
 P. O. Box 4149, Winston-Salem, NC 27115
 Tel: 336/661-1556 Fax: 336/661-1979
www.championindustries.com



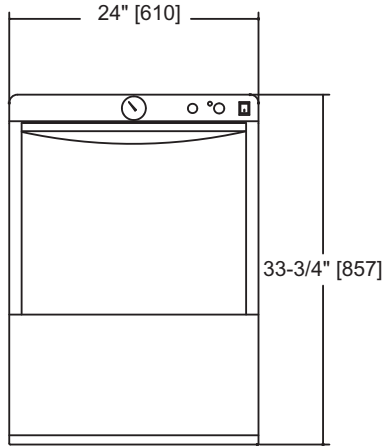
UL-100

Low Temperature
Undercounter
Dishwashing Machine

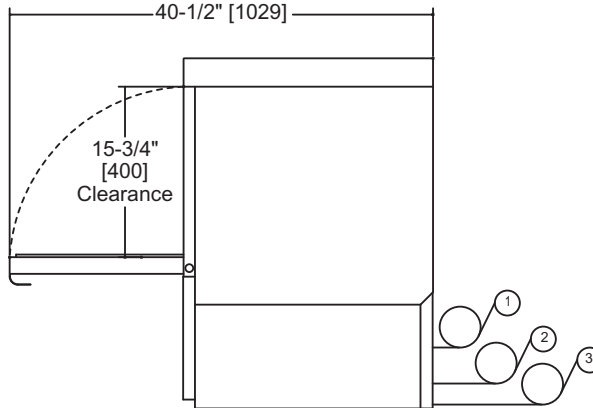
Champion®

The Dishwashing Machine Specialists

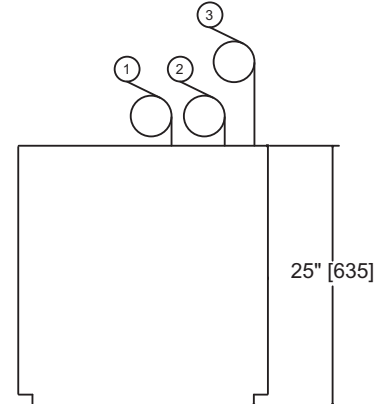
Dimensions shown in inches



Front View



Side View



Plan View

Utilities

1 Electrical	115/60/1; 12-amp draw; to be fused at 15 amp. 4 ft. plug-in cord supplied.
2 Water connection	1/2" supply. 140°F/60°C minimum hot water connection; 6 ft. long, 1/2" I.D. flexible fill hose with 3/4" hose connector. Flow pressure: 25-95 psi.
3 Pumped Drain	5/8" I.D. flexible reinforced hose, 6 ft. long. Max. drain flow 15 US gpm. Max. drain height 3 ft.

	Uncrated	Crated
Height*	33-3/4"	39-1/2"
Width	24"	25"
Depth	25"	25-1/2"
Ship Wt. lbs/kg	153	173

* Front leveling feet provided.

Warning Plumbing and electrical connections should be made by qualified personnel who will observe all the applicable plumbing, sanitary and safety codes and the National Electrical Code.

SPECIFICATIONS

Capacity	
Racks per hr. (NSF rated)	21
Motor horsepower	
Wash	1
Water consumption	
U.S. Gal. per hr. (Max. use)	38
U.S. Gal. per rack	1.8
Temperatures °F/°C	
Wash	140/60
Rinse	140/60
Heating	
Tank heat, electric (kW)	.75
Time cycle in seconds	
Wash	90
Rinse	26
Drain/fill	25
Total cycle	141
Standard 20" x 20" rack complement	
Dish	1
Open	1