

Scrap Collector



Job: _____ Item No.: _____
Model S914



Job: _____ Item No.: _____
Model P914



A Scrapping, Pre-Flushing and Food Waste Collecting System

- Standard Scrap Basin, Model S914
- Pot/Pan Scrap Basin, Model P914

Widely accepted in areas that restrict the use of food waste disposers.

An Economical Pulper Alternative, the Collector washes soluble food waste harmlessly through the sewer, reducing bulk food waste by as much as 50% and weight by as much as 80%.

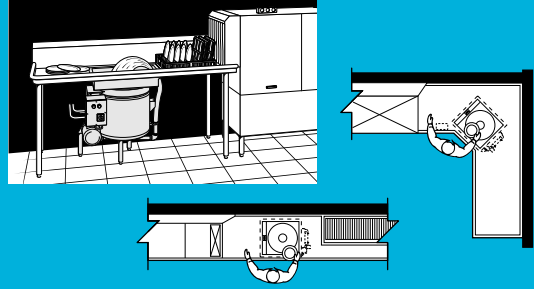
Recirculated Water used for pre-flushing typically reduces water and sewer costs dramatically. The Collector consumes only 2 gallons of new water per minute while the pre-flushing water plume recirculates at a 30-gallon rate.

Scrapping Speed is more than doubled compared to an overhead pre-rinse since the worker's hands are free for scrapping. The Collector lets you keep up with small to medium size conveyor dishmachines.

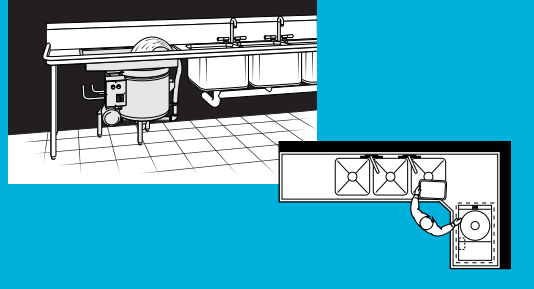
Problem Dishes, Trays and Cookware with dried or baked-on food need much less hand work. They can be soaked in the Collector basin while scrapping continues on other dishes.

TYPICAL INSTALLATIONS

Model S914



Model P914





Scrap Collector Model S914

Pot/Pan Scrap Collector Model P914

Model S914

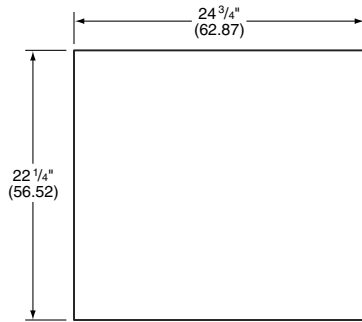
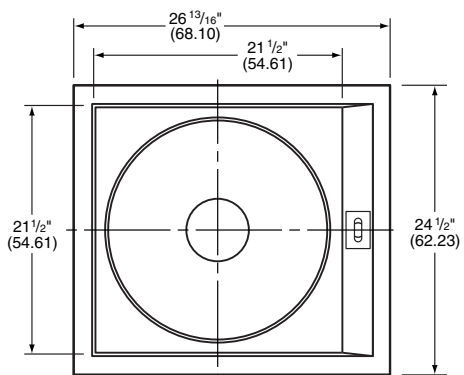


TABLE CUTOUT DETAIL



TOP VIEW

Model P914

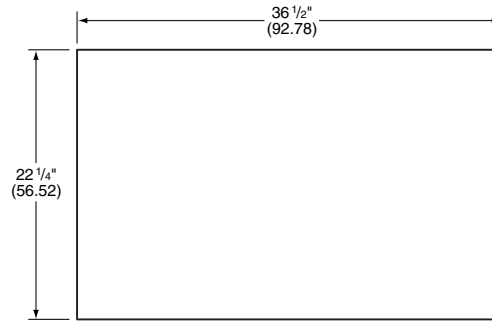
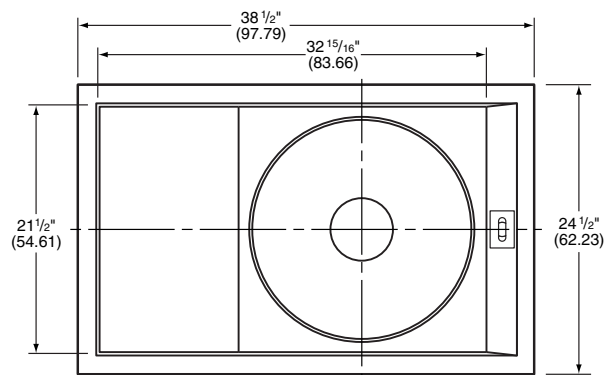


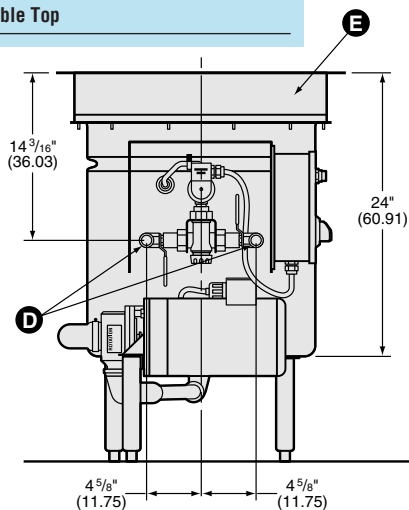
TABLE CUTOUT DETAIL



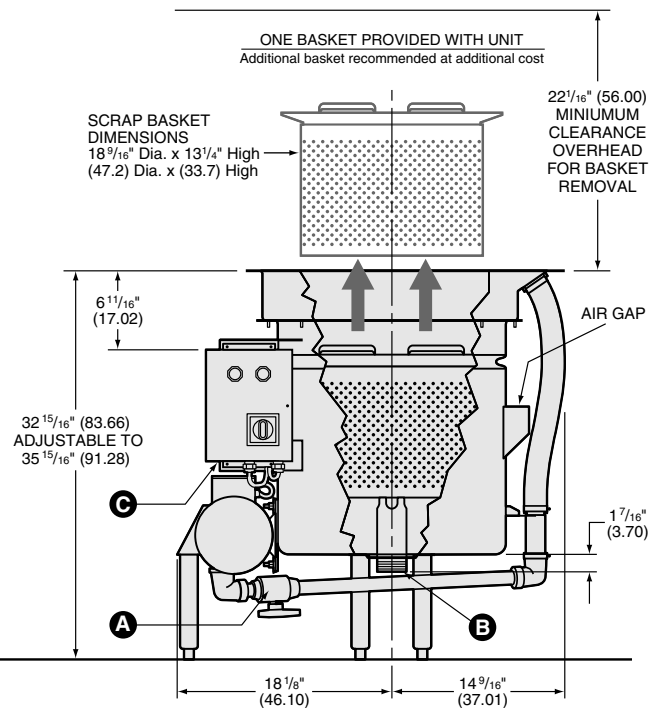
TOP VIEW

Collector Legend

- A** Plume height adjustment valve
- B** Tank drain 2" NPT
- C** 1/2" conduit knockout electrical connection
- D** Hot/cold shutoff valves 1/2" NPT
- E** Removable Top



LEFT SIDE VIEW



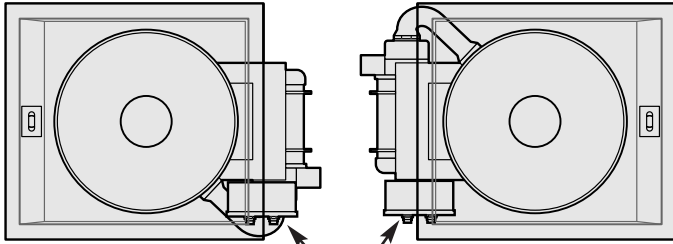
FRONT VIEW

Model S914 shown - P914 similar



Scrap Collector Model S914

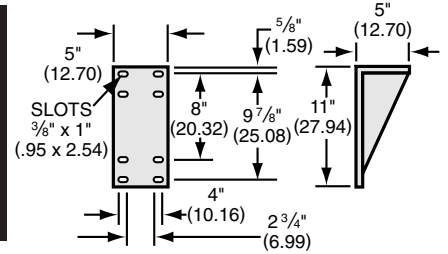
Pot/Pan Scrap Collector Model P914



MSS-LD Control

The MSS-LD control can be mounted on either side of the Collector with existing fasteners, mounting holes and wiring for left or right hand operation.

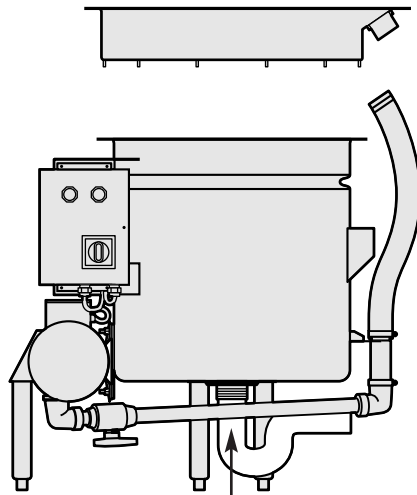
#980104 MSS-LD Mounting Bracket



The control can be mounted remotely using optional mounting bracket.

Note: additional field wiring is necessary.

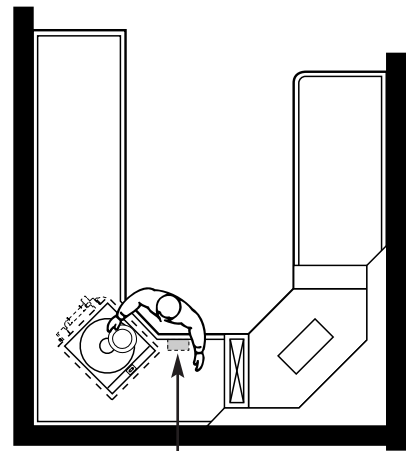
Upon request, the Collector top may be shipped separately to an alternate location for fabrication.



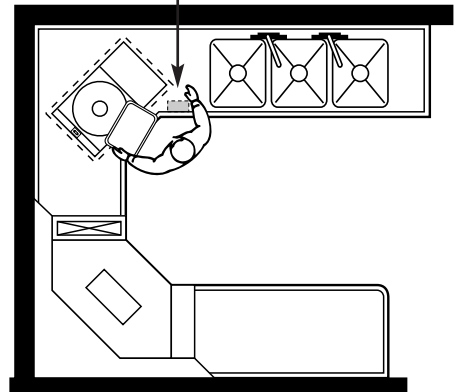
2" TANK DRAIN
(Piping not furnished)

Model S914 shown - P914 similar

ALL CONNECTIONS ARE TO BE MADE BY QUALIFIED PERSONNEL WHO WILL OBSERVE ALL LOCAL AND NATIONAL CODES.



Remote Mounting
of MSS-LD Control



NOTE: Dimensions in parenthesis are in centimeters

Salvajor Scrap Collector

MODEL S914 & Model P914

S P E C I F I C A T I O N S

CONSTRUCTION

- Tank - 2 Piece Stainless Steel
- Adjustable Legs - Stainless Steel
- Control Panel - Stainless Steel
- Salvage Basin - High Impact Polymer
- Scrap Basket - High Impact Polymer

ELECTRICAL

- Pre-wired NEMA 4 Control Panel
- Watertight Conduit/Fittings
- Separate Component Grounding
- Thermally Protected Motor
- Safety Line Disconnect

PLUMBING

- Corrosion Resistant Components
- Automatic Water Blender
- Solenoid Valve
- Unions
- Check Valves
- Incoming Water Valves
- Non-clogging Pump Design
- Backflow Prevention Device

ACCESSORIES

- Remote Start-Stop
- Remote Mounting Bracket
- Correctional Package
- MSS-LD Mounting Bracket
- Additional Scrap Basket

VOLTAGES AVAILABLE

(SPECIFY EXACT OPERATING VOLTAGE)

- 115V 208V 230V, 60 Cycle, 1 Phase
- 208V 230V 460V, 60 Cycle, 3 Phase

Pump Motor **3/4 HP**

FULL LOAD AMPS

(SPECIFY EXACT OPERATING VOLTAGE)

1 PHASE			3 PHASE		
115V	208V	230V	208V	230V	460V
11	5.5	5.5	3.2	3	1.5

UTILITIES REQUIRED

1. Electric service
2. 3/4" hot and cold water supply and reduce to 1/2" at connection.
3. 2" tank drain.

(Specifications subject to change without notice.)

SAMPLE SPECIFICATIONS

Unit shall be a Scrap Collector (or Pot/Pan Scrap Collector) scrapping, pre-flushing and food waste collecting system with recirculating water as manufactured by Salvajor.

Model S914 (or **P914**), ___Volts, 60Hz, ___Phase.

Furnished with a pre-wired control panel and stainless steel NEMA 4 watertight enclosure.



The Salvajor Company 4530 East 75th Terrace Kansas City, Missouri 64132-2081, USA

1-800-SALVAJOR

(816) 363-1030

FAX: 1-800-832-9373

www.salvajor.com

Email: sales@salvajor.com

service@salvajor.com

Manufacturers of Commercial Food Waste Disposing Systems since 1944

KaTom Restaurant Supply, Inc.

Printed in USA
Form No.S&P914-9-BH