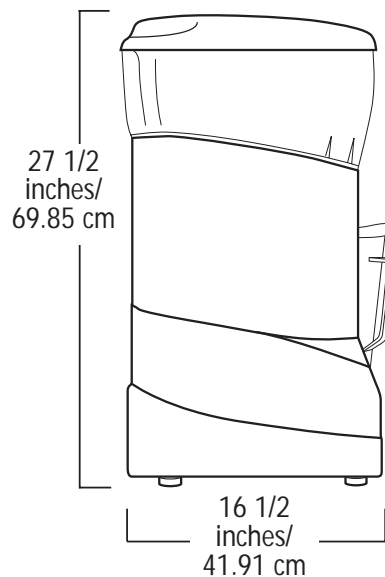
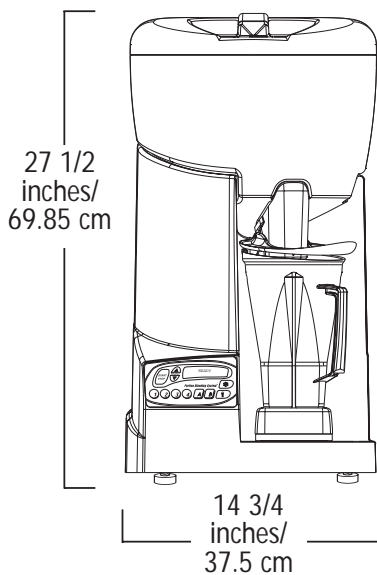


THE PORTION BLENDING SYSTEM® HAS A LARGE 5 GALLON / 19.0L HOPPER THAT AUTOMATICALLY DISPENSES PRECISE AMOUNTS OF ICE. THE ICE IS THEN FED INTO THE BLENDER CONTAINER AND THOROUGHLY HOMOGENIZED WITH ANY DRINK MIX AND OTHER INGREDIENTS.

PORTION BLENDING SYSTEM® (PBS)	
ITEM NUMBER	DESCRIPTION
1500	Portion Blending System®(PBS) No Warranty
1501	Portion Blending System®(PBS) One Year Parts Only Warranty
1502	Portion Blending System®(PBS) One Year Parts AND Labor* Warranty

These Item Numbers are for 120VAC. Other voltages are also available.



PORTION BLENDING SYSTEM® (PBS)

Portion Control Ice Shaver Blender

Specifications:

Blender Motor:

2+ peak motor horsepower

Shaver Motor:

.25 peak motor horsepower

permanent magnet motor

Container comes with ice blade

1 per standard pack,

61 lbs. / 27.67 kg.

7.5 cu. ft. / 21 cu. m

120VAC, 50/60 Hz,

11.5 amps

Other Voltages Available

Model # VM0126



when applicable

