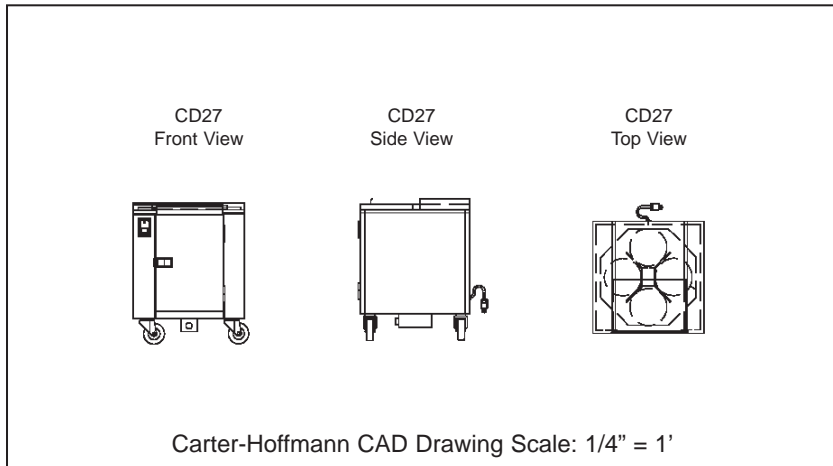




CD27 MOBILE HEATED & INSULATED ROTARY DISH CART

CARTER-HOFFMANN **311** FOOD SERVICE EQUIPMENT
HEATED SERVERS



Model Number	Plate/Bowl Capacity* Up to 9" Diameter (229mm)	Overall Dimensions						Caster Diameter		Shipping Weight	
		Height		Depth		Width		in	mm	lbs	kgs
		in	mm	in	mm	in	mm				
CD27	160	32 1/2	826	27	686	27	686	5	127	270	122

* Capacity may vary, depending on thickness and stacking height of dishes.

CONSTRUCTION... Straight line modular styling. Completely welded double wall cabinet construction with outer cabinet formed and welded to base. All seams turned in to eliminate raw edges.

CABINET MATERIAL... All stainless steel construction; 18 gauge polished exterior and 18 gauge interior. 12 gauge base and frame. 18 gauge heat element chamber.

INSULATION... 1" thick high density continuous wrap-around type fiberglass insulation.

CASTERS... 5" diameter heavy-duty, all swivel, casters with polyurethane tread. Sealed Delrin bearing and double ball bearing swivel. Plate mounted and bolted to frame. Two casters fitted with brakes.

DOOR... Full length, double panel stainless steel construction. Interior cavity filled with 1" high density fiberglass insulation.

LATCH... Flush mounted heavy-duty sliding latch for positive door closing.

HINGES... Two concealed, all stainless steel 12 gauge butt type hinges with 3/8" diameter fixed pin.

SLIDING TOP LID... All stainless steel for top loading & unloading access. Full width 12" deep shelf mounted to top of cabinet at rear.

TURNTABLE... 12 gauge stainless steel turntable supported by 12" diameter heavy-duty bearing ring mounted to 1/4" aluminum turntable base plate. Table detents into position for loading and unloading in each of four positions. Wire plate dividers covered with protective plastic tubing. Dish stacking height of 23 3/4" (603mm).

HEATING SYSTEM... High performance 2100 watt inonel shethed heating element. High impedance protected externally cooled fan moter with self-lubricating bearings. On/off switch with adjustable thermostat knob.

ELECTRICAL CHARACTERISTICS... Operates on 120 volt, 2100 watts, 17.5 amps, 60 Hz, single phase. Six foot wire rubber cord with three prong grounding plug and reinforced cord grip. NEMA 5-20P.

OPTIONS & ACCESSORIES...

- Alternate caster sizes and tread types
- Alternate electrical configurations
- Corner bumpers

SPECIFICATIONS

Specifications subject to change through product improvement & innovation.

CARTER-HOFFMANN

1551 McCormick Ave., Mundelein, IL 60060

Tel (847) 362-5500 • (800) 323-9793 • Fax (847) 367-8981

www.carter-hoffmann.com



Printed in U.S.A. D16 1108
Carter-Hoffmann is a trademark
of Carter-Hoffmann, LLC

FEATURES & BENEFITS

1551 McCormick Avenue, Mundelein, Illinois 60060
Tel. (847)362-5500 • (800)323-9793 • Fax (847)367-8981
www.carter-hoffmann.com



FLUSH MOUNTED SLIDING DOOR LATCH...

Exclusively designed for transport applications. Door remains closed during transport. Flush design protects latch from damage.

POLYURETHANE CASTERS WITH SEALED ROLLER BEARING...

Long lasting, easy rolling for maximum load and minimum maintenance.



SLIDING TOP LID & REAR MOUNTED TOP SHELF...

Lid allows for easy access to dishes from the top. Stows under handy rear mounted shelf in the open position.

DOUBLE WALL STAINLESS STEEL CABINET...

All welded construction with all seams turned in to eliminate raw edges. Strongest, most durable material for long life. High density 1" thick fiberglass insulation in walls and door for maximum heat retention.

"LAZY SUSAN" STYLE TURNTABLE... Rugged 12 gauge stainless steel construction. Table detents into each of four positions for easy loading and unloading. Wire plate dividers protect dishware from chipping. Dish stacking height of 23 3/4".

HIGH PERFORMANCE HEATING SYSTEM... 2100 watt heating system with blower fan enclosed in center housing for quick and efficient heat distribution throughout cabinet. Recessed control panel protects on/off switch from damage.

