



Logix1 Series

hotLOGIX HEATED HOLDING CABINETS

(non-insulated aluminum with mechanical controls)

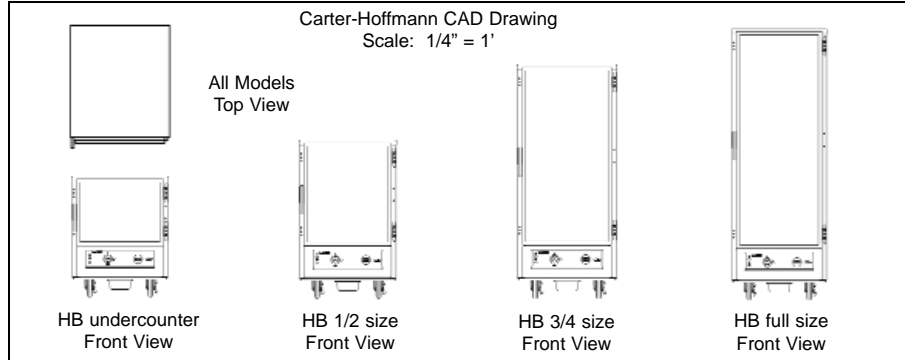
CARTER-HOFFMANN



FOOD SERVICE EQUIPMENT
HOLDING CABINETS

SPECIFICATIONS

Printed in U.S.A. E71 1110
Carter-Hoffmann is a trademark
of Carter-Hoffmann LLC



Model Number	Pan/Tray Capacity		Spacing		Inside Working Height		Overall Dimensions						Caster Diameter		Shipping Weight	
	12"x20"	18"x26"	in	mm	in	mm	Height		Depth		Width		in	mm	lbs	kg
<input type="checkbox"/> HBU5A2GM	10	5	3	76	15 ⁵ / ₁₆	389	31 ⁵ / ₈	803	29 ¹ / ₂	749	24 ¹¹ / ₁₆	627	5	127	108	49
<input type="checkbox"/> HBC10A2GM	-	10	1 ¹ / ₂	38	15 ⁵ / ₁₆	389	31 ⁵ / ₈	803	29 ¹ / ₂	749	24 ¹¹ / ₁₆	627	5	127	95	43
<input type="checkbox"/> HBF5A2GM	10	5	3	76	15 ⁵ / ₁₆	389	31 ⁵ / ₈	803	29 ¹ / ₂	749	24 ¹¹ / ₁₆	627	5	127	99	45
<input type="checkbox"/> HBU8A2GM	16	8	3	76	24 ⁵ / ₁₆	634	40 ⁵ / ₈	1032	29 ¹ / ₂	749	24 ¹¹ / ₁₆	627	5	127	149	68
<input type="checkbox"/> HBC16A2GM	-	16	1 ¹ / ₂	38	24 ⁵ / ₁₆	634	40 ⁵ / ₈	1032	29 ¹ / ₂	749	24 ¹¹ / ₁₆	627	5	127	131	59
<input type="checkbox"/> HBF8A2GM	16	8	3	76	24 ⁵ / ₁₆	634	40 ⁵ / ₈	1032	29 ¹ / ₂	749	24 ¹¹ / ₁₆	627	5	127	137	62
<input type="checkbox"/> HBU14A2GM	28	14	3	76	44	1118	58 ⁵ / ₈	1489	29 ¹ / ₂	749	24 ¹¹ / ₁₆	627	5	127	168	76
<input type="checkbox"/> HBC28A2GM	-	28	1 ¹ / ₂	38	44	1118	58 ⁵ / ₈	1489	29 ¹ / ₂	749	24 ¹¹ / ₁₆	627	5	127	148	67
<input type="checkbox"/> HBF14A2GM	28	14	3	76	44	1118	58 ⁵ / ₈	1489	29 ¹ / ₂	749	24 ¹¹ / ₁₆	627	5	127	155	70
<input type="checkbox"/> HBU18A2GM	36	18	3	76	54 ¹ / ₂	1384	70 ⁵ / ₈	1780	29 ¹ / ₂	749	24 ¹¹ / ₁₆	627	5	127	215	97
<input type="checkbox"/> HBC36A2GM	-	36	1 ¹ / ₂	38	54 ¹ / ₂	1384	70 ⁵ / ₈	1780	29 ¹ / ₂	749	24 ¹¹ / ₁₆	627	5	127	185	84
<input type="checkbox"/> HBF18A2GM	36	18	3	76	54 ¹ / ₂	1384	70 ⁵ / ₈	1780	29 ¹ / ₂	749	24 ¹¹ / ₁₆	627	5	127	198	90

CONSTRUCTION...Welded & riveted single wall, non-insulated cabinet construction with cabinet welded to base.

CABINET MATERIAL...All aluminum interior and exterior double wall, insulated construction; .063 aluminum exterior with 2V finish.

BASE FRAME... .125 natural aluminum

CASTERS...5" diameter casters with rubber tread. Four swivel casters. Two casters fitted with brakes.

DOOR...Single panel tempered glass door set in extruded aluminum frame. Field reversible. Drip trough at base of door. High temperature santoprene gasket mounted to door.

HINGES...Adjustable edge mount hinges with chrome plate finish.

LATCH...Heavy-duty edge mount latch with magnetic catch.

DRIP TROUGH... Full width aluminum drip trough with 1/2" drain located in center. Located at base of cabinet. Includes plastic catch pan.

TRAY RACK ASSEMBLIES... Three slide styles with removable assemblies.

HBU: Universal 16 gauge stainless steel slides, removalbe and fully adjustable at 1-1/2" spacing. Standard spacing at 3" centers. Hold 18"x26" sheet pans, 12"x20" steam table pans, 2/1 or 1/2 GN pans.

HBF: Universal wire slide at fixed spacing of 3". Assemblies removable. Hold 18"x26" sheet pans, 12"x20" steam table pans, 2/1 or 1/2 G/N pans

HBC: Fixed stainless steel angle slides on 1-1/2" centers hold 18"x26" sheet pans.

THERMOMETER...Digital thermometer with remote sensing bulb and sensing bulb protector. Displays temperature in one degree increments.

CONTROLS...Dial type controls. Single dial for heat setting.

WATER RESERVOIR...Bottom mounted stainless steel water reservoir is part of heater assembly. Passive evaporative humidification provided. Manual fill. Capacity 2.5 quarts.

HEATING SYSTEM...Bottom mounted

heater with one 1700 watt coiled incoloy-sheathed heating element. High impedance protected fan motor. Blower fan circulates air. Full range thermostat and on/off switch with power indicating light. Dial control for heat settings.

ELECTRICAL CHARACTERISTICS... Operates on 120 volts, 60 cycle, single phase, 1750 watts, 15 amps. Eight foot rubber cord with 3 prong grounding plug. NEMA 5-20P.

PERFORMANCE...Capable of heating to 190°F (88°C). Preheat to 160°F (71°C) in approximately 30 minutes.

ACCESSORIES/OPTIONS...

- Menu card holder (solid door units only)
- Solid aluminum door with black anodized finish on interior and exterior-replace "G" with "X" in model number
- Extra slide pairs (HBU units only)

Specifications subject to change through product improvement & innovation.



CARTER-HOFFMANN
1551 McCormick Ave., Mundelein, IL 60060
(847) 362-5500 • (800) 323-9793 • Fax (847) 367-8981
www.carter-hoffmann.com

KaTom Restaurant Supply, Inc.

FEATURES & BENEFITS

Logix1 Series hotLOGIX HEATED HOLDING CABINETS (non-insulated aluminum with mechanical controls)

Since 1947, Foodservice Equipment That Delivers!

PRECISION ENGINEERED HEAT DUCT SYSTEM... Heat duct provides even and efficient heating throughout the entire cabinet for safe and consistent results.

FOUR SIZES... Logix1 series cabinets are available in under-counter (31-1/16" high), 1/2 size (40-1/16" high), 3/4 size (58-1/16" high) and full size (70-1/16" high).



HBF18A2GM
(full size cabinet)

FIELD REVERSIBLE DOOR(S)... Single pane tempered glass door for easy viewing of cabinet contents, with magnetic door latch and heavy-duty hinges. Full perimeter santoprene gasket attached to door for best seal.

EASY-TO-USE DIAL CONTROL... Simple analog dial for heat setting and master on/off switch. Temperature range of 85°F to 190°F. Recessed angle control panel with easy to read digital thermometer.



THREE SLIDE STYLES... with removable assemblies.

HBU: Universal 16 gauge stainless steel slides, removable and fully adjustable at 1-1/2" spacing. Standard spacing at 3" centers. Hold 18"x26" sheet pans, 12"x20" steam table pans, 2/1 or 1/2 GN pans.

HBF: Universal wire slide at fixed spacing of 3". Assemblies removable. Hold 18"x26" sheet pans, 12"x20" steam table pans, 2/1 or 1/2 G/N pans

HBC: Fixed stainless steel angle slides on 1-1/2" centers hold 18"x26" sheet pans.



HBU adjustable universal slides



HBF universal wire slides



HBC fixed angle slides

1551 McCormick Avenue, Mundelein, Illinois 60060
Tel. (847) 362-5500 • (800) 323-9793 • Fax (847) 367-8981
www.carter-hoffmann.com

