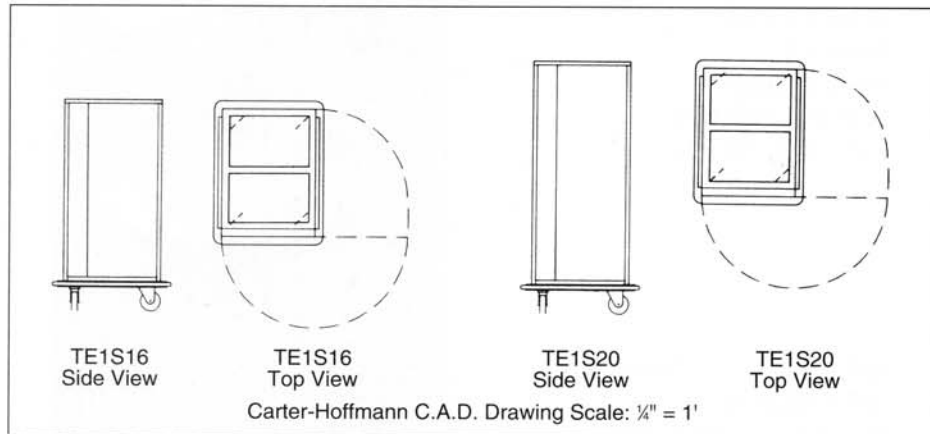




## TE1S16 & TE1S20 ENCLOSED MOBILE TRAY CARTS

(Two trays per slide)



Model Number	Tray Capacity*	Inside Working Height		Overall Dimensions						Caster Diameter		Shipping Weight	
	14" x 18" or 15" x 20" Trays at 5/8" Spacing			Height	Depth	Width	in	mm	in				
<input type="checkbox"/> TE1S16	16	43	1092	53	1346	38 1/2	978	29 1/2	749	6	152	250	114
<input type="checkbox"/> TE1S20	20	53 1/2	1359	63 1/2	1613	38 1/2	978	29 1/2	749	6	152	261	119

\* Please specify tray size.

**CONSTRUCTION...**Welded cabinet construction. Cabinet formed and welded to base. All seams turned in to eliminate raw edges.

**CABINET MATERIALS...**Nickel-bearing type 300 series stainless steel; 18 gauge polished exterior walls.

**BASE FRAME...**12 gauge stainless steel full depth bolsters with 1" x 1" stainless steel perimeter channel supports.

**CASTERS...**6" diameter, institutional grade caster with polyurethane tread. Sealed roller bearing and double ball bearing swivel with Zerk grease fittings. Plate mounted and bolted to base in offset wheel ahead pattern.

**BUMPER...**Non-marking gray vinyl bumper set in heavy-duty 3/8" extruded aluminum frame with reinforced corner "cut outs."

**DOORS...**Double panel welded stainless steel doors. Cavity filled with high density fiberglass insulation. Decorative vinyl feature stripe.

**LATCHES...**Flush mounted heavy duty slide latch for positive closing of doors.

**HINGES...**Concealed, all stainless steel hinges permit 270 degree door operation.

**HANDLES...**Recessed handle grips mounted at swivel end of cabinet.

**TRAY RACK ASSEMBLIES...**Complete assemblies are removable without tools and constructed of 18 gauge stainless steel.

**TRAY SLIDES...**Two 14" x 18" or two 15" x 20" trays per slide. (Specify exact tray required.) Maximum inside working depth is 31 1/4" (794 mm).

### OPTIONAL ACCESSORIES...

- Cart Wash Package
- Polyurethane Tread Casters
- Semi-Pneumatic Casters
- Full-Pneumatic Casters
- Wheel Brakes
- Drain and Plug
- Extra Stainless Steel Push Handle
- 3 or 4 Sided Top Rail
- Menu Card Holder
- Top Mounted Transport Latch

Specifications subject to change through product improvement & innovation.

### CARTER-HOFFMANN CORP.

1551 McCormick Ave., Mundelein, IL 60060  
Tel (847) 362-5500 • (800) 323-9793 • Fax (847) 367-8981  
[www.carter-hoffmann.com](http://www.carter-hoffmann.com)

KaTom Restaurant Supply, Inc.

