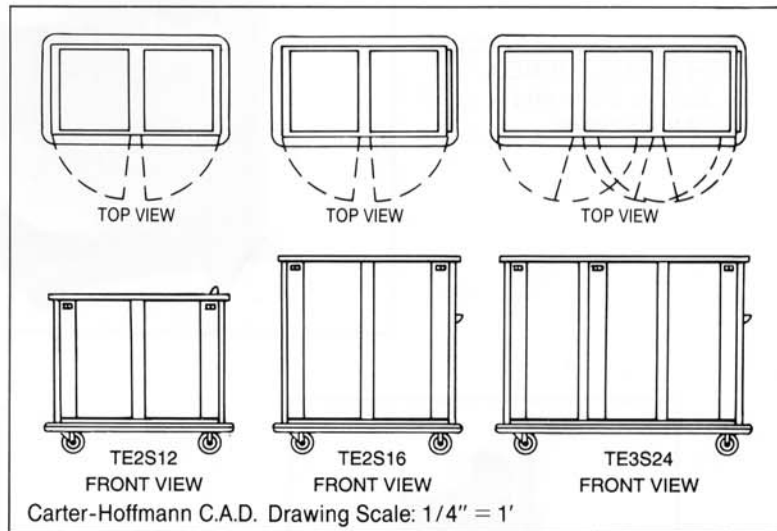


CARTER-HOFFMANN

ENCLOSED MOBILE TRAY CARTS For 14"x18", 15"x20" or 16"x22" TRAYS

Two and Three Door, One Tray Per Slide



CARTER-HOFFMANN
FOOD SERVICE EQUIPMENT
ENCLOSED MOBILE TRAY CARTERS

Model Number	Tray Capacity (One Per Slide) 16 x 22, 15 x 20, or 14 x 18 (Specify)				Maximum Inside Working Height in (mm)	WHEELS			DIMENSIONS			Shipping Weight lbs (kgs)
	Vertical Spacing (Specify)					Dia In	Swivel	Rigid	Height in (mm)	Depth in (mm)	Width in (mm)	
	3 3/4"	4 1/2"	5 1/4"	6"								
TE2S12	16	14	12	10	32 1/2 (826)	6	2	2	42 3/4* (1076)*	29 3/8 (752)	44 1/4 (1124)	212 (96)
TE2S16	22	18	16	14	43 (1092)	6	2	2	52 3/8 (1343)	29 3/8 (752)	44 1/4 (1124)	226 (103)
TE2S20	28	22	20	16	53 1/2 (1359)	6	2	2	63 3/8 (1610)	29 3/8 (752)	44 1/4 (1124)	279 (127)
TE3S24	33	27	24	21	43 (1092)	6	2	2	52 3/8 (1343)	29 3/8 (752)	63 1/2 (1613)	288 (131)
TE3S30	42	33	30	24	53 1/2 (1359)	6	2	2	63 3/8 (1610)	29 3/8 (752)	63 1/2 (1613)	352 (160)

*Add 2 1/2" (54mm) to height for top-mounted push handle.

CONSTRUCTION...Welded cabinet construction. Outer cabinet formed and welded to base. All seams turned in to simplify cleaning and eliminate raw edges.

CABINET MATERIALS...18 gauge, nickel-bearing type 300 series stainless steel with polished exterior wall.

BASE FRAME...12 gauge stainless steel caster bolsters with 1" x 1" tubular stainless steel perimeter channel supports.

CASTERS...6" diameter, institutional grade casters with non-marking rubber tread. Delrin sleeve axle bearings and double ball bearing swivel with Zerk grease fittings. Two casters are fixed and two are swivel. Casters are plate mounted and bolted to base.

WHEEL AHEAD PATTERN...Casters are mounted in an offset pattern so that only one wheel can pass over raised surfaces at one time, for improved control.

BUMPER...Non-marking gray vinyl bumper set in heavy duty 3/16" extruded aluminum frame with reinforced corner "cutouts".

DOORS...Double wall, stainless steel construction. Door cavity filled with 1" thick fiberglass insulation for sound deadening. Center hung, allowing 180° door swing.

LATCHES...Flush mounted sliding latch with adjustable door strike; custom designed for heavy duty applications.

HINGES...12 gauge stainless steel with 3/8" pin.

PUSH HANDLE...1" diameter stainless steel mounted on end or top, depending on model. Push handle extends the full depth of the cabinet.



STYLING...Stainless steel finish with functional vinyl door stripe.

TRAY RACK ASSEMBLIES...18 gauge stainless steel; removable, without tools, for ease of cleaning.

TRAY SLIDES...One 16" x 22", 15" x 20", or 14" x 18" tray per slide, end-loaded (please specify tray size).

ACCESSORIES/OPTIONS...

- Polyurethane Tread Casters
- Semi-Pneumatic Casters
- All Swivel Casters
- Wheel Brakes
- 6 Wheel Configuration
- Floor Drain with Plug
- Extra Push Handle
- 3 and 4 Sided Top Rail
- Menu Card Holder
- Top-Mounted Transport Latch
- Trailer Hitch
- Vinyl Covered Top
- Cart Wash Package
- Vented End Panels

Specifications subject to change through product improvement & innovation.

CARTER-HOFFMANN CORP.

1551 McCormick Ave., Mundelein, IL 60060

Tel (847) 362-5500 • (800) 323-9793 • Fax (847) 367-8981

www.carter-hoffmann.com

KaTom Restaurant Supply, Inc.

SPECIFICATIONS

Printed in U.S.A. L15 0599
The name Carter shown is a registered
trade name of Carter-Hoffmann Corp.