



Energy  
**MIZER**®

**AH/C**  
Chemical Sanitizing  
Single Rack Straight/Corner  
Dishwashers

**MODEL AH**



**MODEL C**

**FEATURES:**

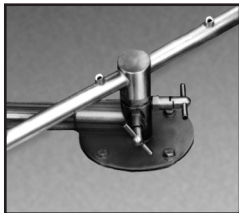
- 40 racks / 160 covers per hour.
- All stainless steel construction assures long life and years of trouble free operation.
- Unique spray arm system features upper and lower stainless steel wash arms with reinforced end caps. Specially designed pull-pins allow wash arms to be easily removed for cleaning.
- Pump purging system improves results by eliminating soil and chemical carryover during rinse cycle.
- Top mounted controls include built-in chemical pumps and deliming system that assures proper chemical usage.
- Auto start/stop makes operation safe and easy.
- Integrated scrap tray prevents food soil from entering drain system.
- Water inlet comes with built-in strainer, prevents debris from clogging the water valve.
- Dishmachine comes with 2 dishracks.
- Stainless steel impeller offers extended life and service.

**Available Options**

- Solid/Powder Dual Bowl Dispenser
- CMA Temp-Sure™ (Self contained 12kW heater)
- Sanitizer Alarm
- Stainless Steel Dishtables
- Alternative Cycle Times
- Alternative Electrical Available



Optional Temp-Sure™ heater assures a continuous supply of 140°F hot water that guarantees excellent results.



Unique pull-pin design allows wash arms to be easily removed for cleaning.



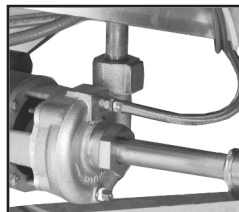
Bowl option available for capsule dispensed products.



Built-in Poly Pro™ scrap accumulator. With stainless steel drawer and lid.



Top mounted controls include built-in chemical pumps and deliming system that assures proper chemical usage.



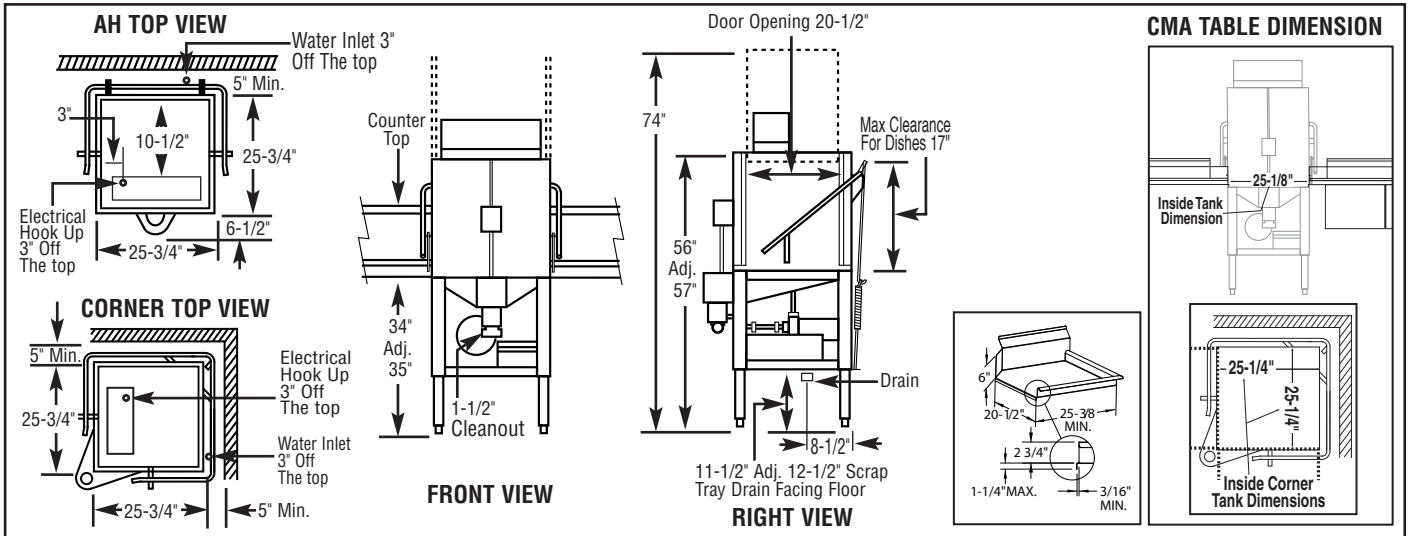
Pump purging system improves results by eliminating soil and chemical carryover during rinse cycle.





**AH/C**  
Chemical Sanitizing  
Single Rack Straight/Corner  
Dishwashers

**WARNING:** Plumbing connections must be made by a qualified service company who will comply with all available Federal, State, and Local Health, Plumbing and Safety codes.



**Specifications:**

MODEL AH/C	USA	METRIC	USA	METRIC
<b>OPERATING CAPACITY</b> RACKS PER HOUR (NSF RATED)	40	40	<b>WASH PUMP MOTORS HP</b>	1
<b>OPERATING CYCLE</b> WASH TIME-SEC	45	45	<b>DIMENSIONS</b>	
RINSE TIME-SEC	30	30	DEPTH	25-3/4"
DWELL TIME-SEC	15	15	WIDTH (OUTSIDE DIMENSION)	25-3/4"
TOTAL CYCLE TIME	90	90	HEIGHT	56"-57"
WASH TANK CAPACITY	1.7 GAL.	(6.45 L)	STANDARD TABLE HEIGHT	34"
PUMP CAPACITY	52 GPM	(197 LPM)	MAXIMUM CLEARANCE FOR DISHES	17"
<b>OPERATING TEMPERATURE</b>			<b>STANDARD DISHRACK DIMENSIONS</b>	19-3/4"X19-3/4"
REQUIRED	120°F	(49°C)	<b>ELECTRICAL RATING</b>	<b>VOLTS</b>
RECOMMENDED	140°F	(60°C)		115
<b>WATER CONSUMPTION</b>				<b>AMPS</b>
PER RACK	1.7 GAL.	(6.45 L)		16
PER HOUR	74 GPH	(280 LPH)	<b>SHIPPING WEIGHT</b>	
<b>WATER REQUIREMENTS</b>			APPROXIMATE	270#
WATER INLET	3/4"	(1.9cm)		
DRAIN-I.P.S.	2"	(5.1cm)		

**Summary Specifications: Model AH/C**

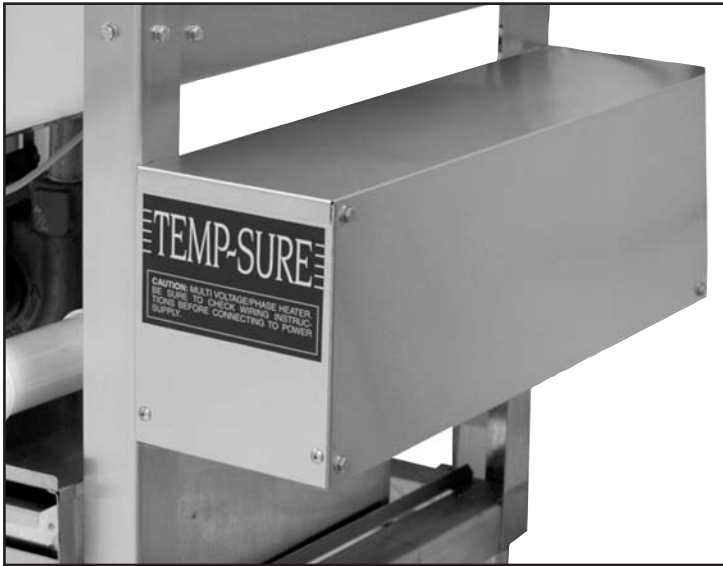
CMA Energy Mizer model AH and model C low temperature, chemical sanitizing commercial dishwashers meet NSF, UL and CSA sanitation and construction standards WITHOUT the use of BOOSTER or TANK HEATERS. The models AH and C are constructed entirely of stainless steel. Each unit automatically washes, rinses and sanitizes food service utensils in standard 19-3/4" x 19-3/4" racks. Unit comes standard with upper and lower stainless steel wash arms. The model AH and model C incorporate a pump purging system that improves results by eliminating soil and chemical carryover during rinse cycle. **Note: These machines do not have built-in heaters, therefore produce no steam.**





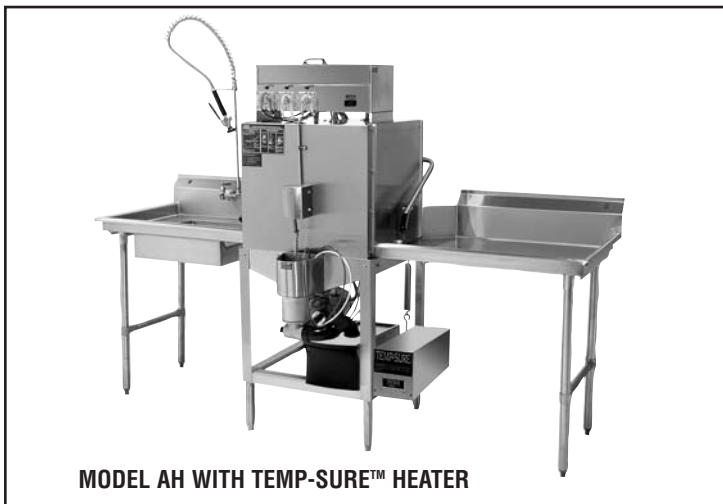
## CMA TEMP-SURE™

Hot Water Assurance System  
For Dump And Fill Style  
Dishwashers



### FEATURES:

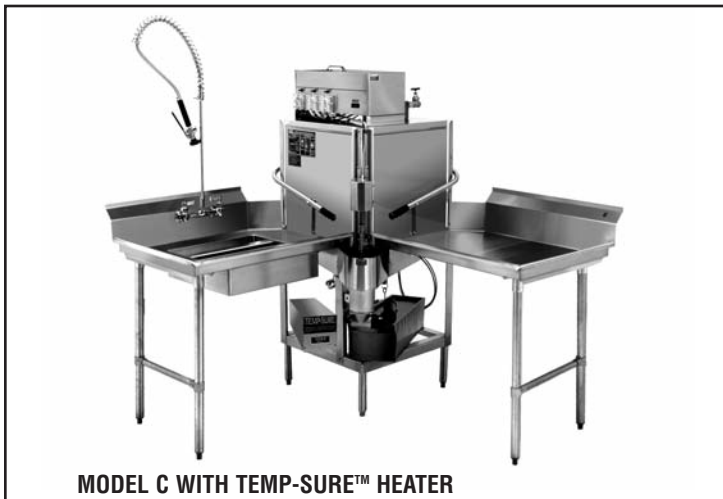
- Specifically designed to maintain proper rinse temperatures in dump and fill style dishwasher.
- 12kW industrial heater is proven to be more durable than commercial style heater.
- Fast recovery, 40° rise in 90 seconds.
- Available 208/240 volt, single or three phase for flexible applications.
- Universal mounting system fits all single tank CMA models and most competitor model dishwashers.
- Free standing units also available.



MODEL AH WITH TEMP-SURE™ HEATER



Temp-Sure™ shown as a free standing unit.

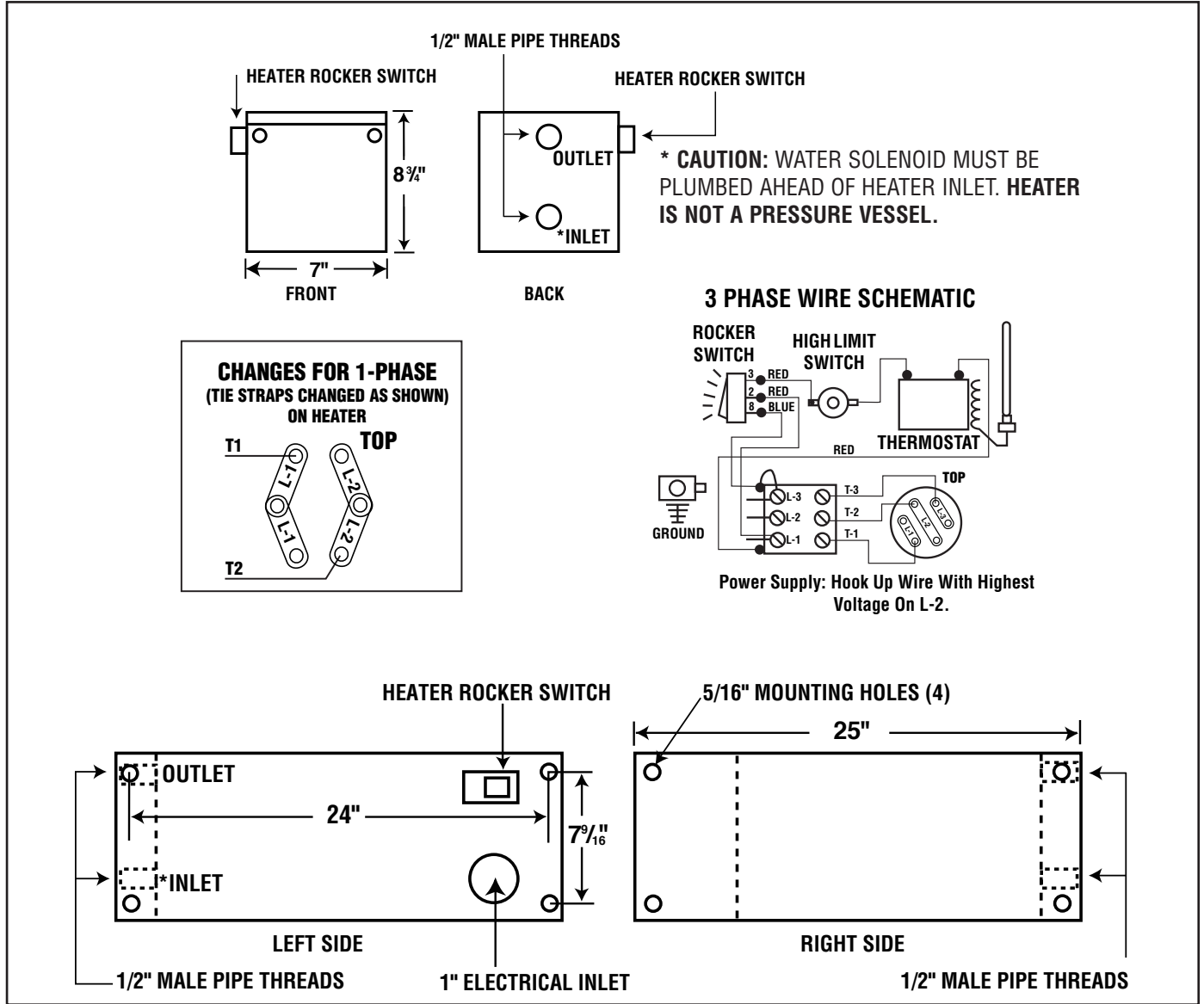


MODEL C WITH TEMP-SURE™ HEATER



**CMA TEMP-SURE™**  
 Hot Water Assurance System  
 For Dump And Fill Style  
 Dishwashers

**WARNING:** Plumbing connections must be made by a qualified service company who will comply with all available Federal, State, and Local Health, Plumbing and Safety codes.



The CMA-Temp-Sure™ option assures a continuous supply of 140°F hot water resulting in excellent dishmachine performance. The heater is custom-designed for fill and dump CMA single tank dishwashers as a factory added option or an infield add-on. The heater will also fit most competitor's single tank dishmachines.

**SPECIFICATIONS:**

MODEL: CMA TEMP-SURE™	USA	METRIC
MIN. INCOMING WATER TEMP.	100°F	(55°C)
RISE	40°F	(22°C)
AVAILABLE HOT WATER	90 GPH	(341LPH)
HEATER TANK CAPACITY	2.6 GAL	(9.8L)
<b>ELECTRICAL RATING</b>	<b>VOLTS</b>	<b>PHASE</b>
	208	1
	240	1
	208	3
	240	3
		<b>AMPS</b>
		44
		51
		26
		30

