



Energy
MIZER®

**DOUBLE RACK
MODEL B
ENERGY SAVER
(extended wrapper)**

.96
Gallons Of Water
Per Rack!



**MODEL B
ENERGY SAVER
(Extended Wrapper)**

FEATURES:

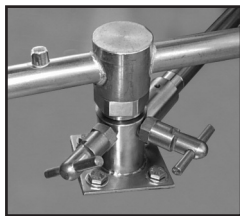
- 80 racks / 320 covers per hour.
- Large 20-1/2" clearance for dishes.
- Economical to operate. Uses as little as .96 gallons of water per rack.
- All stainless steel construction assures long life and years of trouble free operation.
- Unique spray arm system features upper and lower stainless steel wash arms with reinforced end caps. Specially designed pull-pins allow wash arms to be easily removed for cleaning.
- Pump purging system improves results by eliminating soil and chemical carryover during rinse cycle.
- Top mounted controls include built-in chemical pumps and deliming system that assures proper chemical usage.
- Auto start/stop makes operation safe and easy.
- Integrated scrap accumulator prevents food soil from entering drain system.
- Water inlet comes with built-in strainer, prevents debris from clogging the water valve.
- Dishmachine comes with 2 dishracks.
- Stainless steel impeller offers extended life and service.
- Stainless steel scrap tray long lasting.

Available Options

- Solid/Powder Dual Bowl Dispenser
- CMA Temp-Sure™
(Self contained 12kW heater)
- Sanitizer Alarm
- Alternative Cycle Times
- Alternative Voltages Available
- Stainless Steel Tables
- Stainless Steel Scrap Trap
- Slant Shelf 21"X42"



Optional Temp-Sure™ heater assures a continuous supply of 140°F hot water that guarantees excellent results.



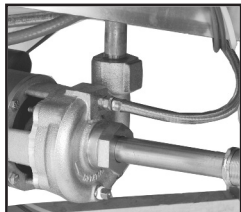
Unique pull-pin design allows wash arms to be easily removed for cleaning.



Sanitizer Alarm System is an audible alarm and warning light feature that gives a warning when sanitizer product is nearly empty.



Top mounted controls include built-in chemical pumps and deliming system that assures proper chemical usage.



Pump purging system improves results by eliminating soil and chemical carryover during rinse cycle.



LISTED
COMMERCIAL
DISHWASHER
864T



CMA Dishmachines 12700 Knott Street Garden Grove, CA 92841 • 800-854-6417 • 714-898-8781 • Fax: 714-895-2141 • www.cmadishmachines.com

CMA reserves the right to modify specifications or discontinue models without prior notification.

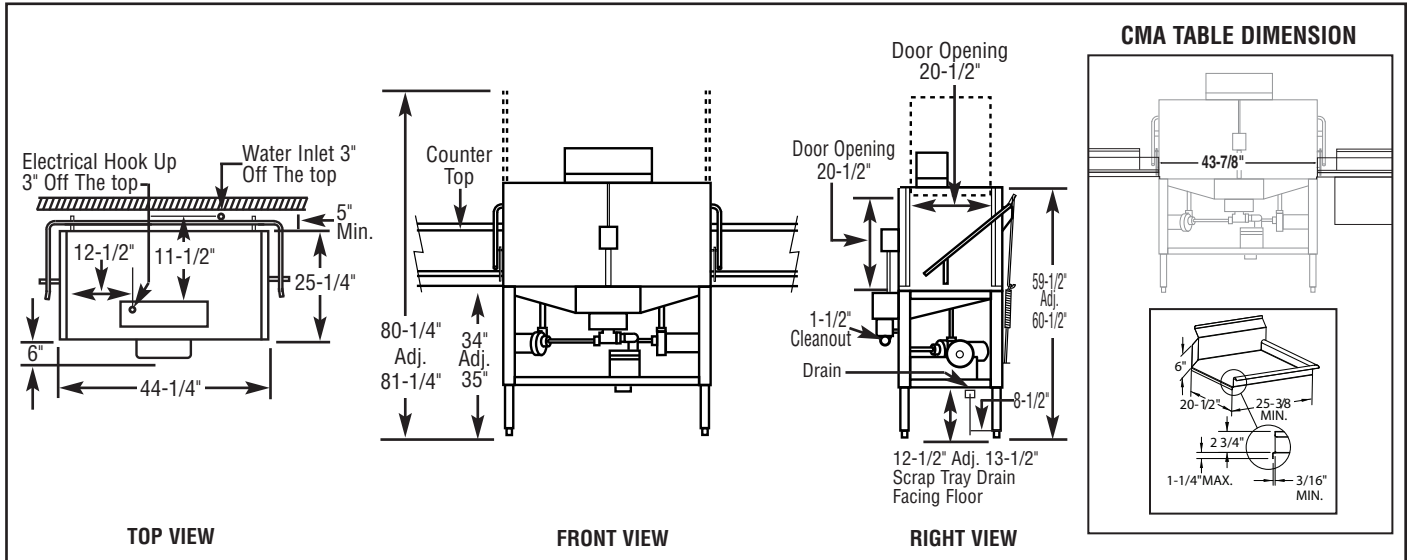
Printed in the U.S.A.

© 2-2011 CMA, Inc.



**DOUBLE RACK
MODEL B
ENERGY SAVER
(extended wrapper)**

WARNING: Plumbing connections must be made by a qualified service company who will comply with all available Federal, State, and Local Health, Plumbing and Safety codes.



Specifications:

MODEL B ENERGY SAVER		USA	METRIC	USA		METRIC
OPERATING CAPACITY				WASH PUMP MOTORS HP		1
RACKS PER HOUR (NSF RATED)		80	80	DIMENSIONS		
OPERATING CYCLE				DEPTH	25-1/4"	(64cm)
WASH TIME-SEC		45	45	WIDTH	44-1/4"	(112cm)
RINSE TIME-SEC		30	30	HEIGHT	59-1/2"-60-1/2"	(151.1cm-153.7cm)
DWELL TIME-SEC		15	15	STANDARD		
TOTAL CYCLE TIME		90	90	TABLE HEIGHT	34"	(86cm)
WASH TANK CAPACITY MIN.		1.92 GAL.	(7.27 L)	MAXIMUM CLEARANCE FOR DISHES	20-1/2"	(52cm)
OPERATING TEMPERATURE				STANDARD DISHRACK		
REQUIRED		120°F	(49°C)	DIMENSIONS	19-3/4"X19-3/4"	(50X50cm)
RECOMMENDED		140°F	(60°C)	ELECTRICAL RATING	VOLTS	AMPS
WATER CONSUMPTION					115	30
PER RACK		.96 GAL.	(3.63 L)	SHIPPING WEIGHT		
PER HOUR		76.8 GPH	(290.7 LPH)	APPROXIMATE	352#	(160kg)
WATER REQUIREMENTS						
WATER INLET		3/4"	(1.9cm)			
DRAIN-I.P.S.		2"	(5.1cm)			

Summary Specifications: Model B Energy Saver

CMA Energy Mizer model B Energy Saver low temperature, chemical sanitizing commercial dishwasher meets NSF, UL and ETL sanitation and construction standards WITHOUT the use of BOOSTER or TANK HEATERS. The model B Energy Saver meets Energy Star rating's and uses as little as .96 gallons of water per rack. The model B Energy Saver is constructed entirely of stainless steel. Each unit automatically washes, rinses and sanitizes food service utensils in standard 19-3/4" x 19-3/4" racks. Unit comes standard with upper and lower stainless steel wash arms. The model B Energy Saver incorporates a pump purging system that improves results by eliminating soil and chemical carryover during rinse cycle. **Note: This machine does not have built-in heaters, therefore produces no steam.**



CMA Dishmachines 12700 Knott Street Garden Grove, CA 92841 • 800-854-6417 • 714-898-8781 • Fax: 714-895-2141 • www.cmadishmachines.com

CMA reserves the right to modify specifications or discontinue models without prior notification.

Printed in the U.S.A.

© 2012 CMA, Inc.